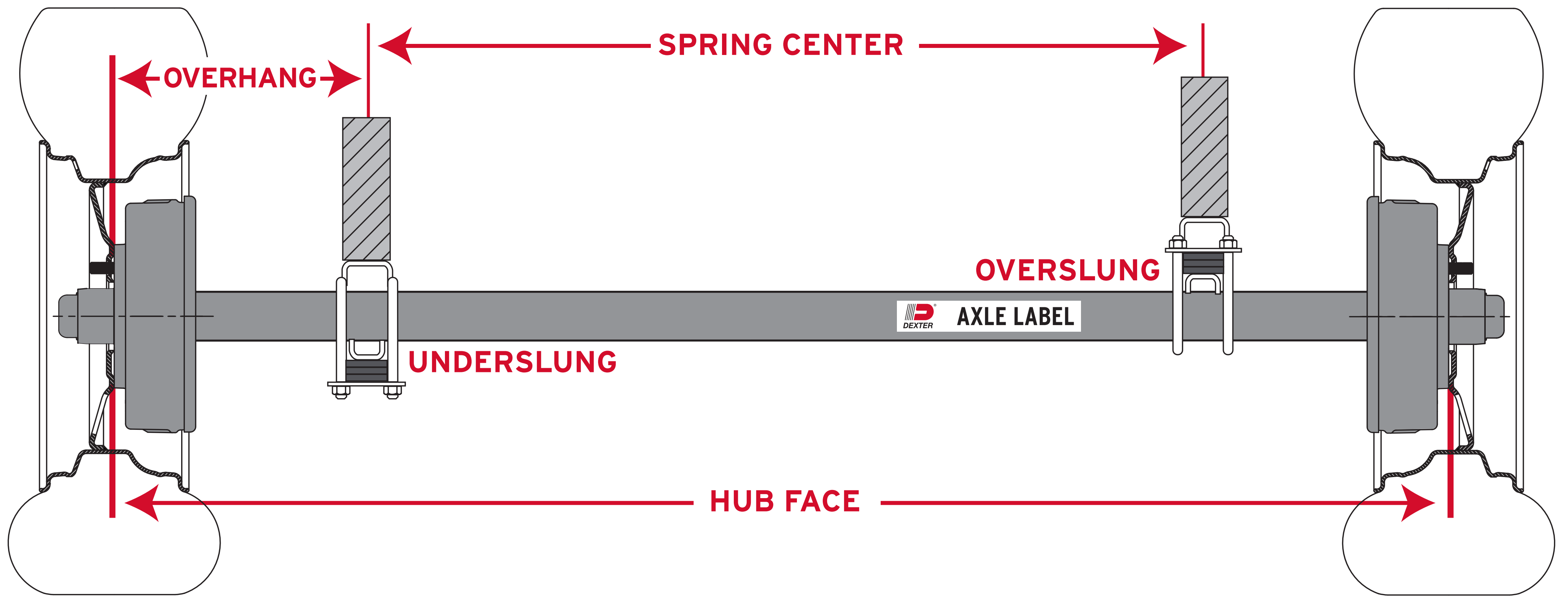


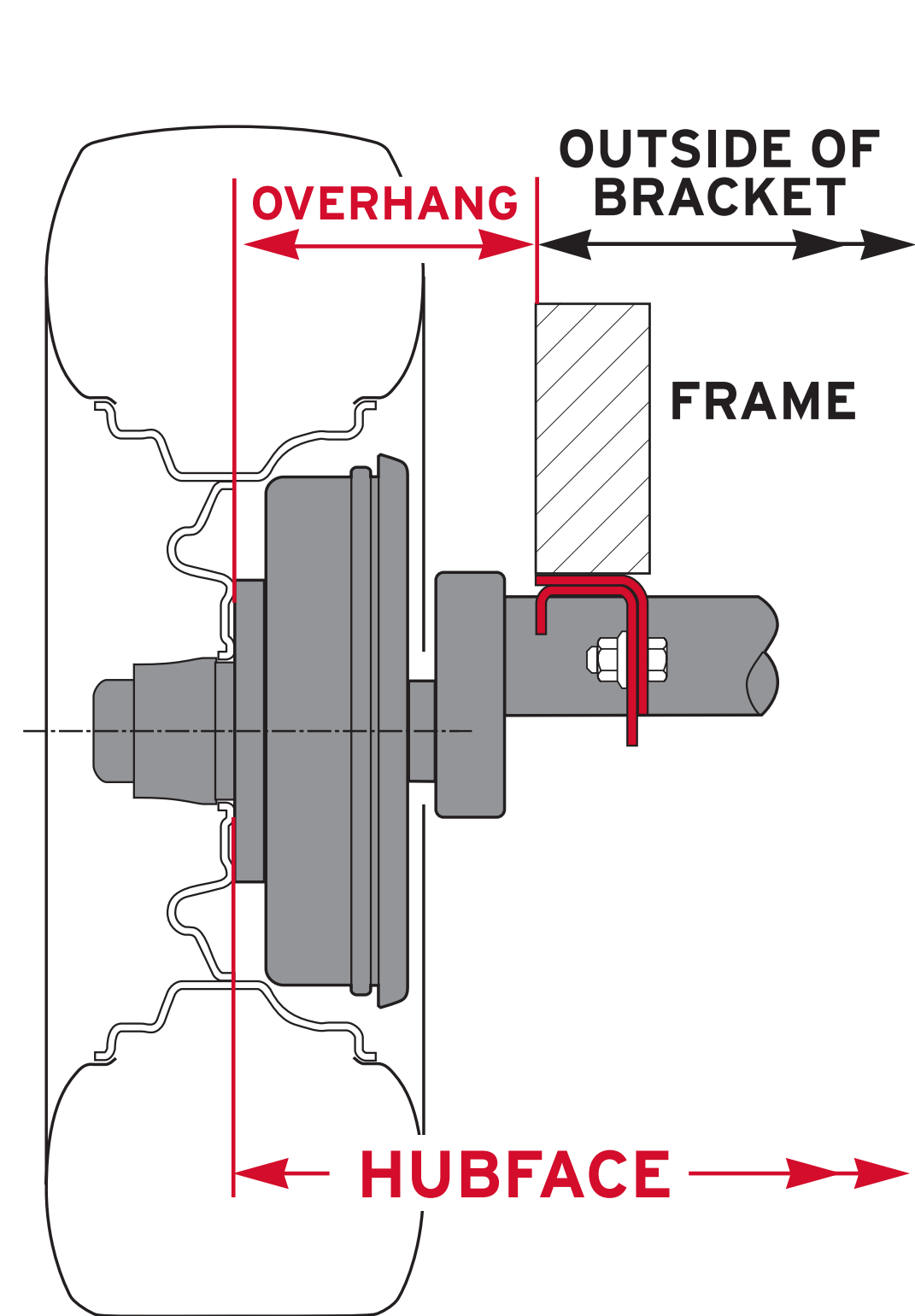
UNDERSTANDING AXLE MEASUREMENTS



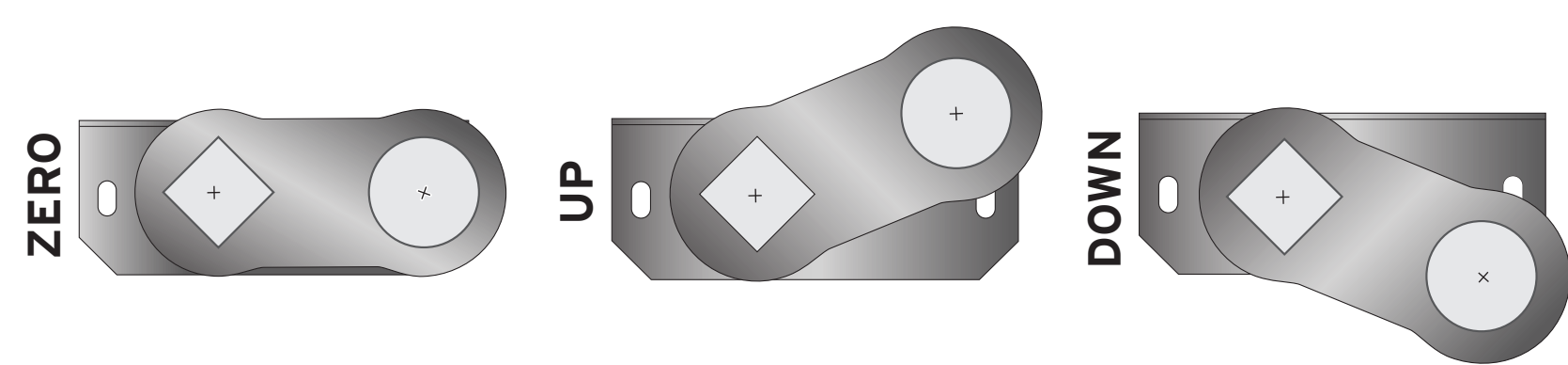
TORFLEX® WHEEL END

DROP SPINDLE WHEEL END

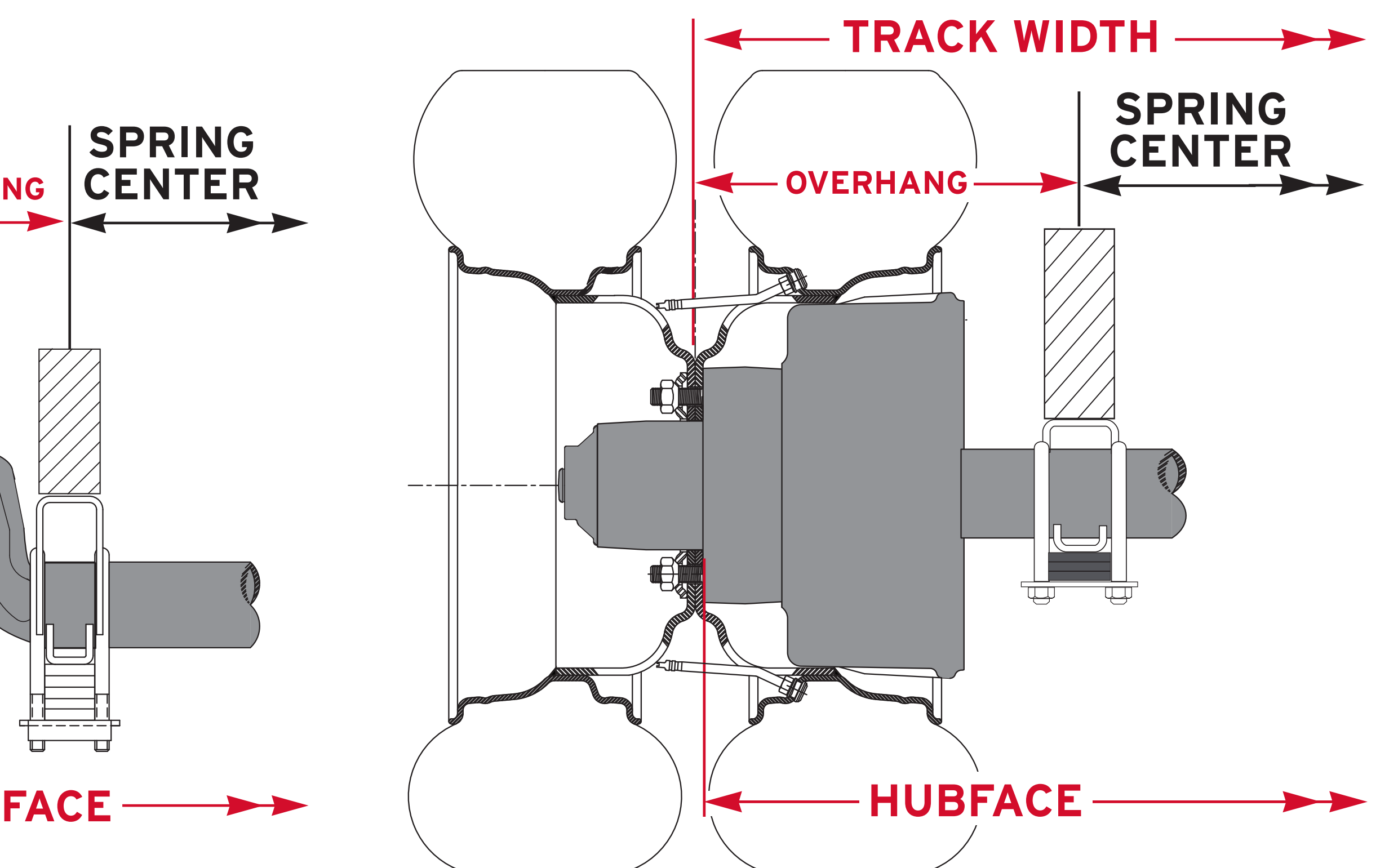
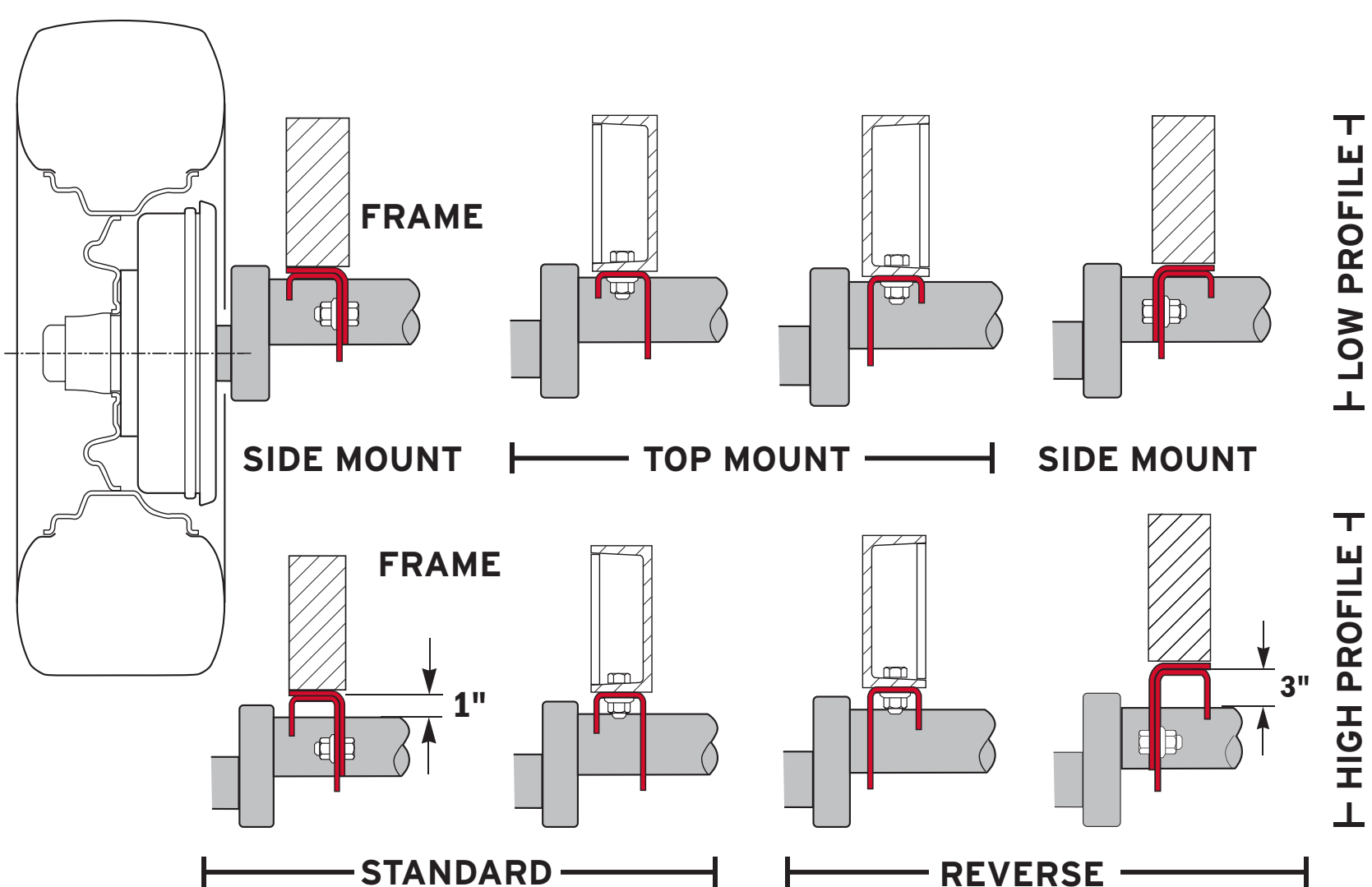
MEDIUM DUTY DUAL WHEEL END



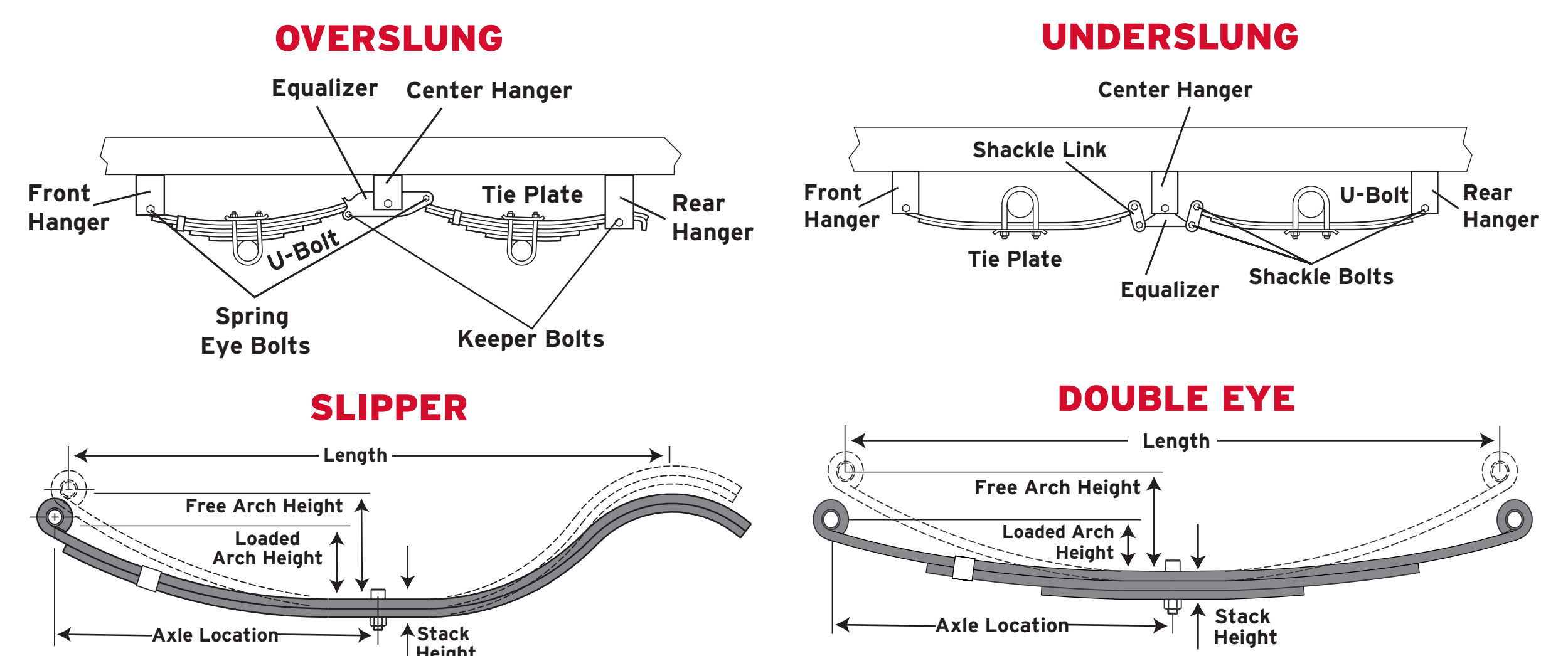
TORFLEX START ANGLES



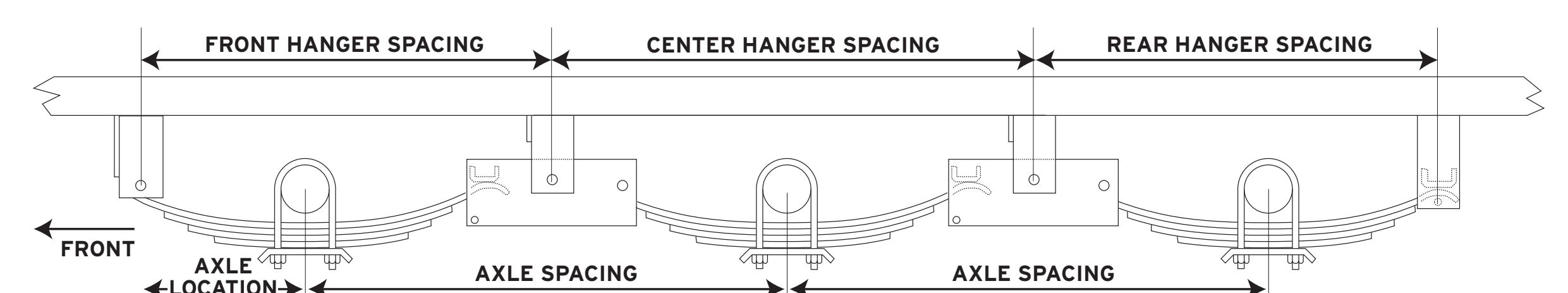
TORFLEX BRACKETS



LEAF SPRING TYPE AND POSITION



AXLE SPACING



FOR MORE INFORMATION ON AXLE MEASUREMENTS VISIT WWW.DEXTERAXLE.COM/AXLEORDERFORM