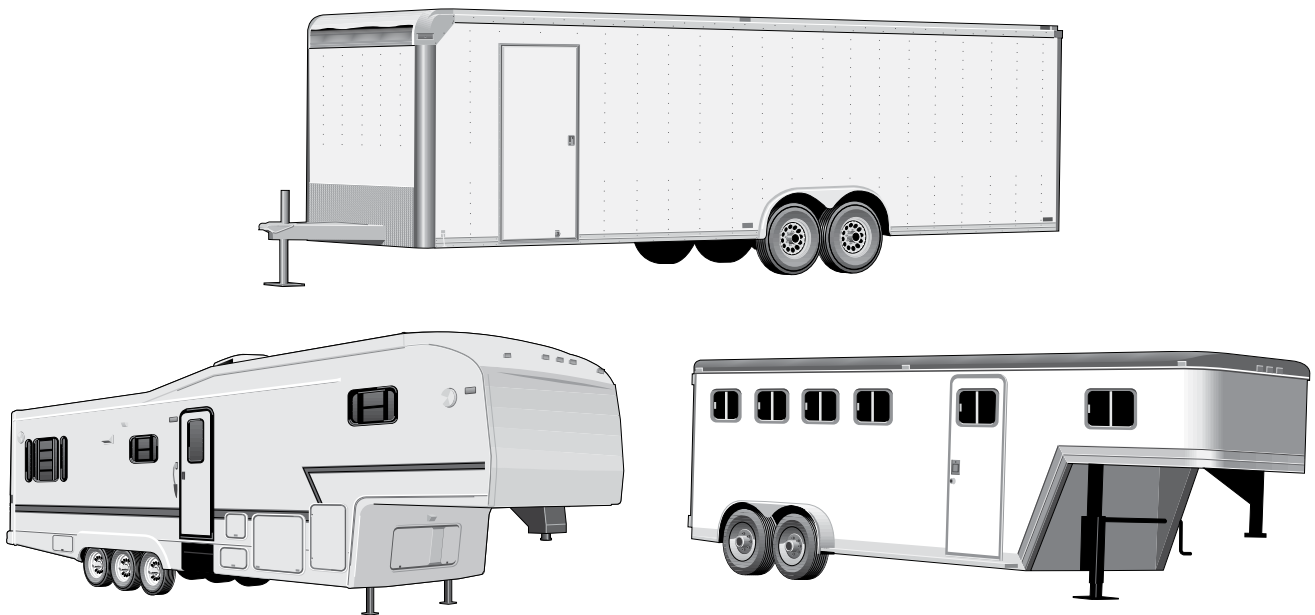


AIRFLEX® Light Trailer Suspension System

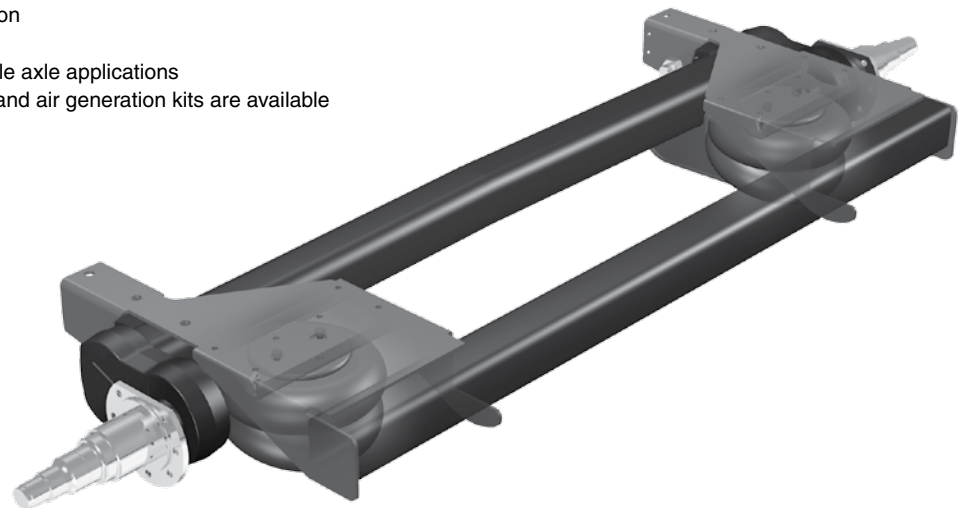


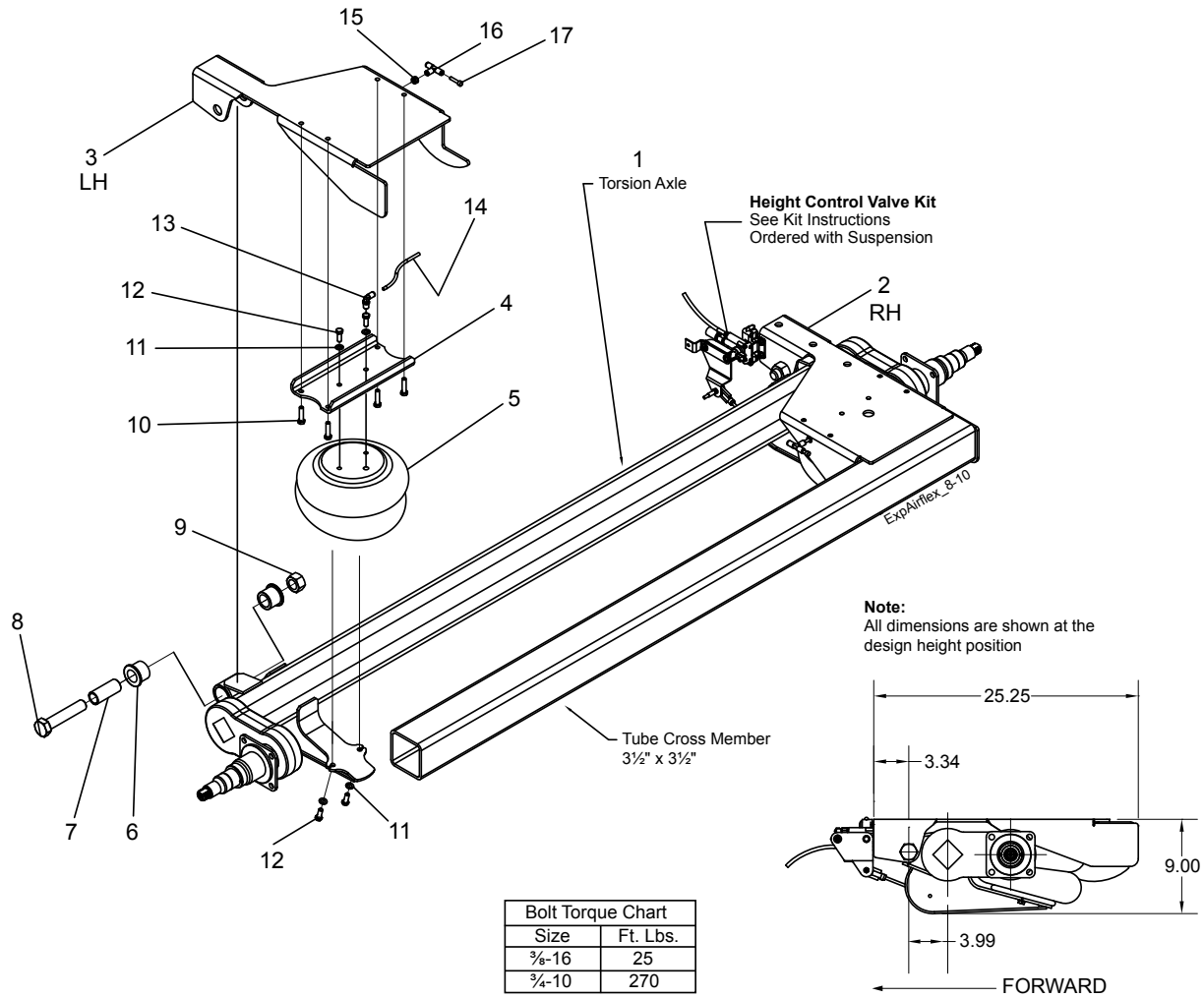
8000 LBS. CAPACITY



Smooth Out the Roughest Roads

- Soft Ride – New hybrid suspension combines air and rubber torsion for an excellent ride
- Independent – Ride and stability improve with independent wheel action
- Equalizing – Axle-to-axle load equalization allows use on triple axle trailers
- Reliable – Rubber cushions ride even if air is not available
- Maintains constant ride height for the ultimate ride
- Fully assembled for easy installation
- Adjustable axle alignment feature
- Available for single, tandem or triple axle applications
- Optional ride height control valve and air generation kits are available
- 2 year limited warranty





Bolt Torque Chart	
Size	Ft. Lbs.
3/8-16	25
3/4-10	270

AIRFLEX® Suspension Components 8000#

Item	Part No.	Qty/Axle	Description
1	n/a	1	Torsion Axle with Suspension Brackets
2	003-327-00	1	RH Frame Bracket
3	003-326-00	1	LH Frame Bracket
4	003-323-00	2	Channel, Air Spring Support
5	W01-358-6947	2	Firestone Air Spring
6	014-123-00	2	Pivot Bushing Kit
7	014-127-00	2	Bushing Spacer/Liner
8	n/a	2	3/4-10 UNC x 4.5" LG HHCS
9	n/a	2	3/4-10 UNC Stover Lock Nut
10	n/a	8	3/8-16 UNC x 1.5" LG HHCS
11	n/a	8	3/8 Regular Split Lock Washer
12	n/a	8	3/8-16 UNC x 1" LG HHCS
13	n/a	2	1/4 NPTM x 1/4 T 90° Elbow, Swivel
14	n/a	2	1/4 x 6.25" LG Nylon Tube
15	n/a	2	Grommet
16	n/a	2	1/4 T Union Tee
17	n/a	2	1/4 T Plug

Air Supply Kits

ns	K71-692-01	-	Ride Height Control Kit
ns	K71-692-02	-	Air Supply and Control Kit
ns	K71-692-03	-	Air Control Kit Without Air Supply
ns	059-809-00	-	Installation Instructions (available on Dexter website)

n/a - not available

ns - not shown