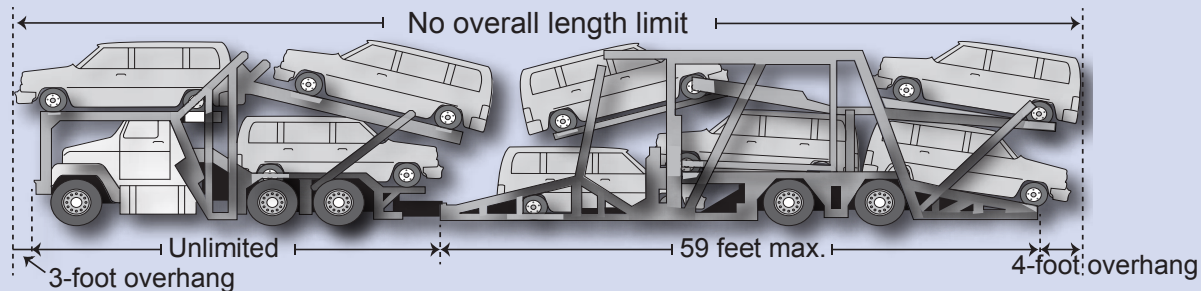


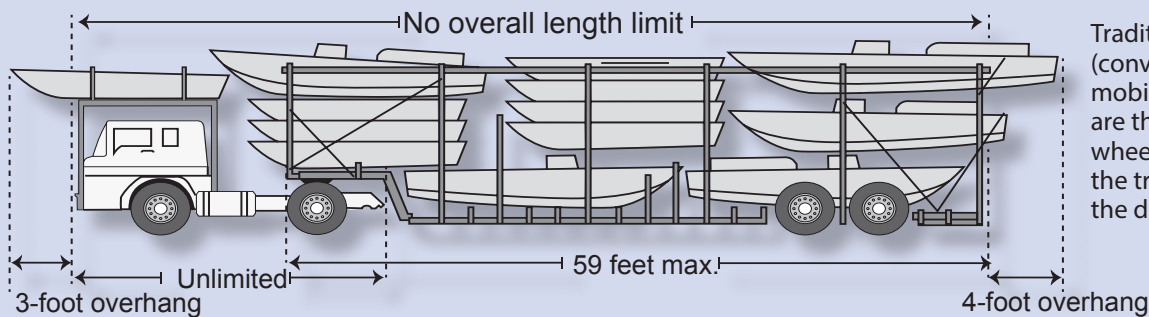
**Commercial Truck and Stinger-Steered Semi-trailer Combination
Transporting Automobiles (or Boats)**



Stinger-steered automobile transporters are those with the fifth wheel located on a drop frame located behind and below the rear-most axle of the truck-tractor.

To qualify as an automobile and boat transporter, the vehicle must be capable of carrying cargo on the power unit.

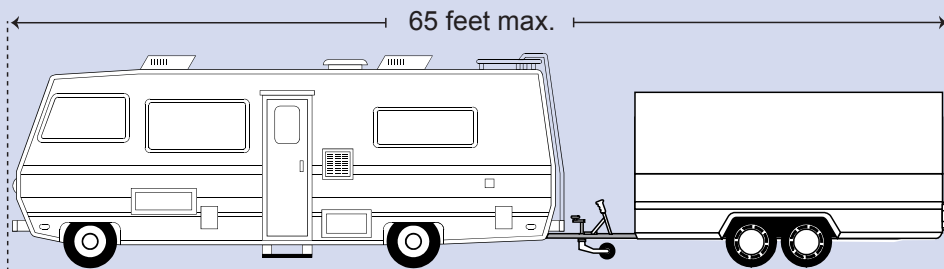
Traditional Boat or Automobile Transporter Combination



Traditional (conventional) automobile transporters are those with the fifth wheel hitch located on the tractor frame over the drive axle or axles.

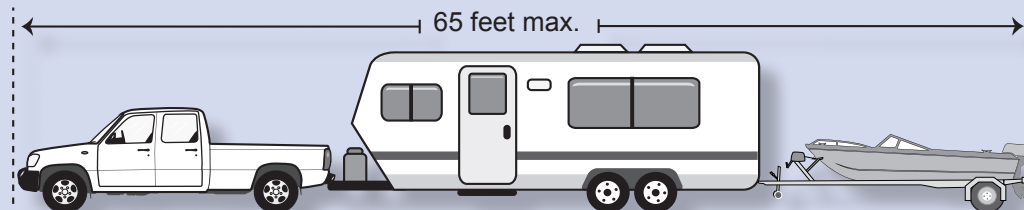
Truck camper units, designed to be loaded onto and unloaded from the bed of a pickup truck, can be hauled by automobile transporters

**Recreational
2-Vehicle
Combinations**



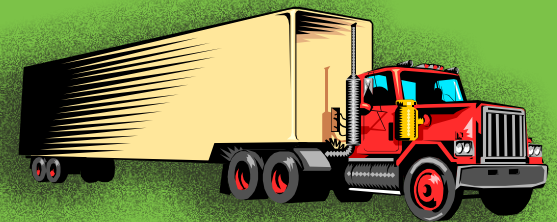
Motor home combinations, whether combined with a trailer, boat, or car, are limited to 65 feet overall length.

**Recreational
3-Vehicle
Combinations**



Combinations of three vehicles, whether truck-trailer-boat, or motor home-boat-car, are limited to 65 feet overall length.

Length Limits for Vehicles & Vehicle Combinations



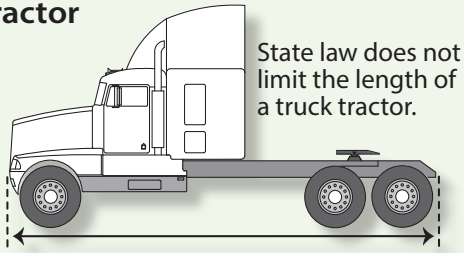
Motor
Carrier
Division

Texas
Department of
Motor Vehicles

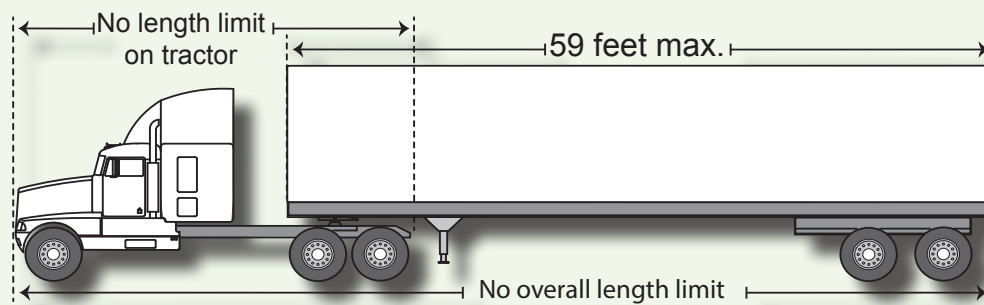
October 2017

Vehicle Length Limit Diagrams

Truck Tractor

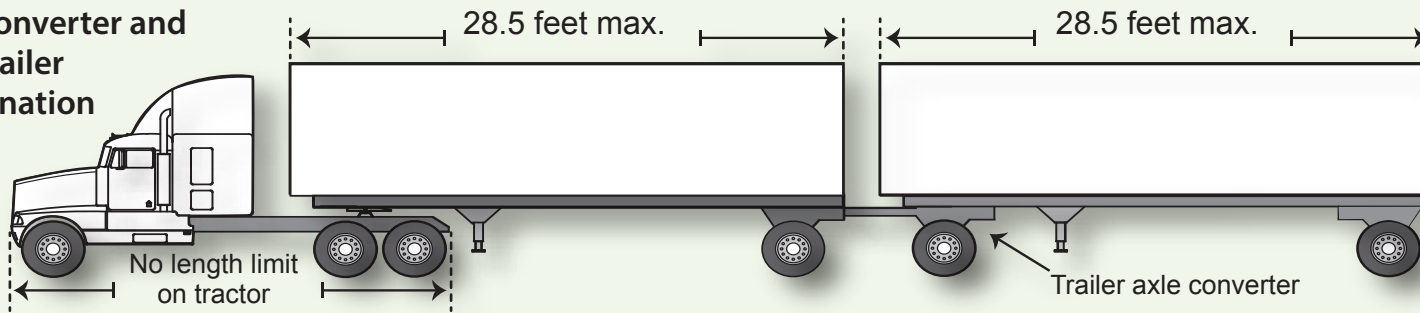


Truck Tractor and Semitrailer Combination



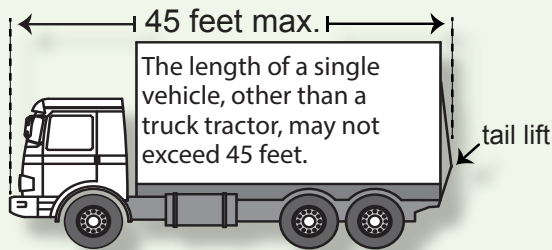
A semitrailer operated in a truck tractor and semitrailer combination is limited to 59 feet.

Truck Tractor, Semitrailer, Trailer Axle Converter and Semitrailer Combination

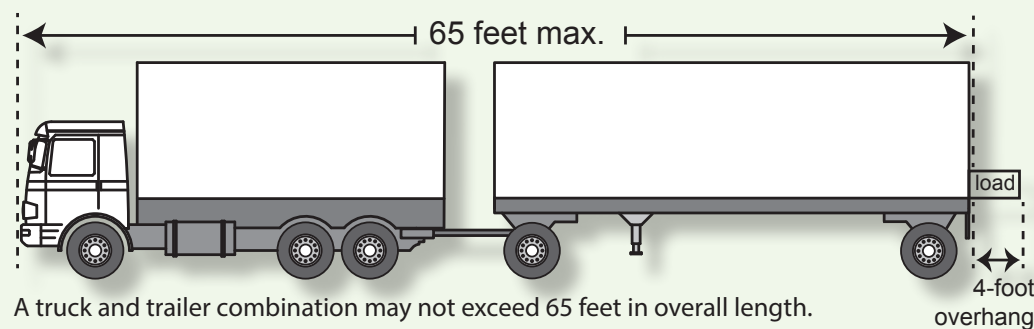


A semitrailer and trailer operated in a truck tractor, semitrailer, and trailer combination is limited to 28-1/2 feet for each trailer or semitrailer.

Truck

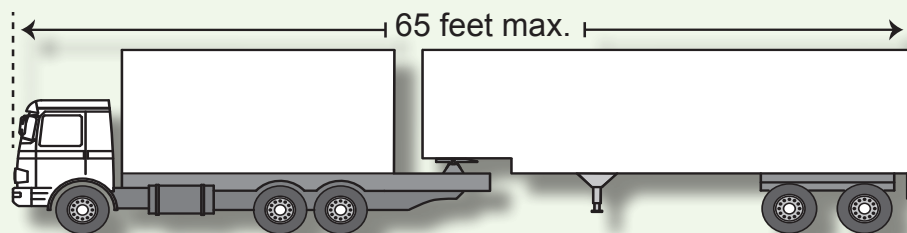


Truck and Trailer Combination



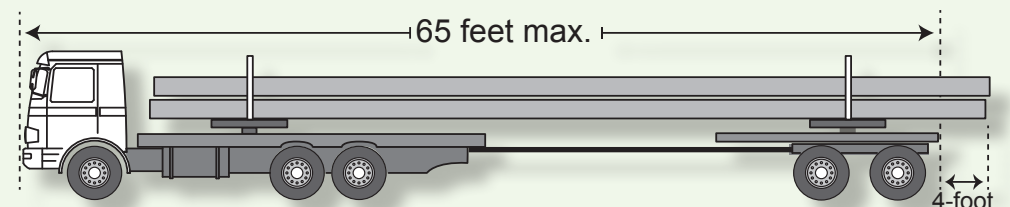
A truck and trailer combination may not exceed 65 feet in overall length.

Truck and Semitrailer Combination



A truck and semitrailer combination may not exceed 65 feet in overall length.

Truck and Pole Combination



A truck and pole trailer combination may not exceed 65 feet in overall length.

An oversize permit from the Texas Department of Motor Vehicles may allow a vehicle or vehicle combination to exceed legal limits provided that the excessive length is not caused by hauling or towing multiple items. For information, call the Motor Carrier Division at 1-800-299-1700, press options 2,3,1.

For more information on vehicle length limitations:

- Refer to these legal references:
 - Texas Transportation Code, Chapter 621
 - Code of Federal Regulations, Title 23, Section 658.13.
- Visit the TxDMV website at www.txdmv.gov, under "Motor Carrier."
- Visit the Federal Highway Administration at www.fhwa.dot.gov, search "length limits."