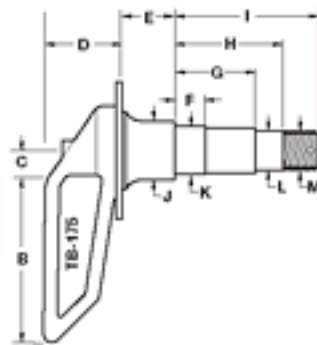
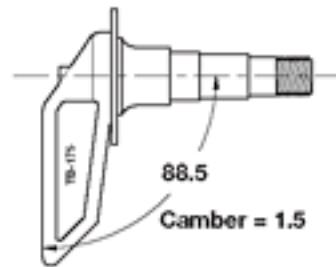
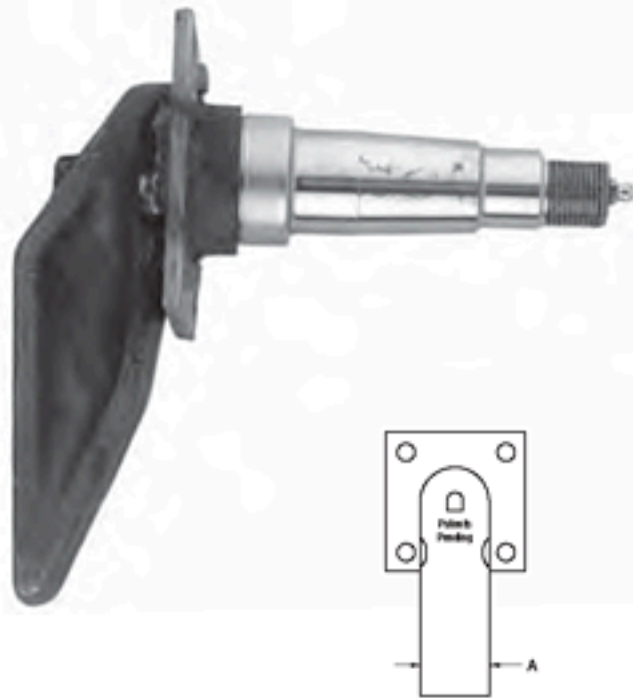




# HOT FORGED DROP BOAT TRAILER SPINDLE



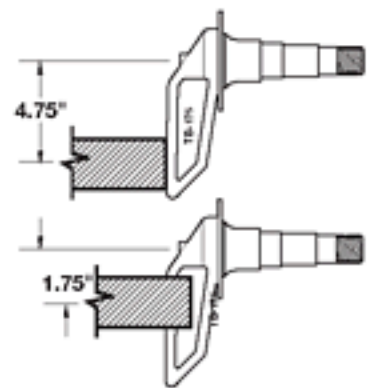
The ORIGINAL hot forged spindle was designed to eliminate the current tubular drop spindle fabrication method. This spindle provides added versatility, strength and durability. Increased production and cost reduction will occur due to the elimination of material waste, handling and unnecessary fabrication operations. This design is for the 3500 lb. axle, but it can also be produced for the 2000 lb. axle. Both spindles are available with or without brake flange.



## AXLE PLACEMENT

The 2"x2" or 2"x3" tube is welded to the flat surface of the leg of the spindle. This spindle allows you to achieve a drop from 1.75" to 4.75."

## AVAILABLE DROPS



PART NUMBER	DIMENSIONS												UNIT WT.
	A	B	C	D	E	F	G	H	I	J	K	L	
SP-TB-175F	2.03"	4.75"	1.00"	2.25"	1.26"	.91"	2.38"	3.34"	4.12"	1.72"	1.376"	1.062"	7.75 lb.

- Forging material: Custom engineered automotive quality high strength steel.
- All spindles are machined to 1" - 14 UNS-2A thread (M) with .190" cotter pin hole.
- See page 12 for Spindle Fasteners & Accessories.
- See below for Custom Spindle Options.
- The specifications and dimensions above are for reference only.

## CUSTOM SPINDLE OPTIONS

- Welding of brake flange is available; add "F" to the end of the part number.
- Welding of brake flange with studs is available; add "FB" to the end of the part number.
- Note:** Studs are 3/8" - 24 x 7/8". Only for 5.2K to 7K axle applications.
- Drilling for lubrication without D-Flat is available; add "Z" to the end of the part number.
- Drilling for lubrication with D-Flat is available; add "ZD" to the end of the part number.
- Alternate grease seal dimensions are available.
- Machining of D-Flat without lubrication is available; add "D" to the end of part number.
- Installation of stainless steel wear ring is available; add "SS" to the end of part number.
- Installation of spindle nut and washer is available; add "NW" to the end of part number.
- Custom machining available upon request.