



Illustrated Parts Manual

Triple-L™ Trailers

P/N
3121226

July 6, 2012

ANSI



An Oshkosh Corporation Company

REVISION LOG

Note: Replacement parts information prior to JLG's acquisition of Premco Triple-L Trailer is limited. If the unit being serviced has a Premco serial number nameplate, it is recommended that the complete worn or damaged component (If it cannot be identified) be upgraded to the current JLG component rather than repaired.

August 26, 2005 - Original Issue Of Manual (Manual edited to B/M 0010598 Revision 8 - Model 248)

(Manual edited to B/M 0010599 Revision 11 - Model 449)
(Manual edited to B/M 0010600 Revision 8 - Model 4610)
(Manual edited to B/M 0010601 Revision 12 - Model 7610-7616)
(Manual edited to B/M 0010602 Revision 13 - Model 1012 & 1014)

July 31, 2006 - Revised Manual (Manual edited to B/M 0010598 Revision 11 - Model 248)

(Manual edited to B/M 0010599 Revision 15 - Model 449)
(Manual edited to B/M 0010600 Revision 11 - Model 4610)
(Manual edited to B/M 0010601 Revision 17 - Model 7610-7616)
(Manual edited to B/M 0010602 Revision 18 - Model 1012 & 1014)

May 1, 2007 - Revised Manual (Manual edited to B/M 0010598 Revision 12 - Model 248)

(Manual edited to B/M 0010599 Revision 18 - Model 449)
(Manual edited to B/M 0010600 Revision 13 - Model 4610)
(Manual edited to B/M 0010601 Revision 18 - Model 7610-7616)
(Manual edited to B/M 0010602 Revision 19 - Model 1012 & 1014)

September 26, 2008 - Revised Manual (Manual edited to B/M 0010598 Revision 15 - Model 248)

(Manual edited to B/M 0010599 Revision 21 - Model 449)
(Manual edited to B/M 0010600 Revision 17 - Model 4610)
(Manual edited to B/M 0010601 Revision 23 - Model 7610-7616)
(Manual edited to B/M 0010602 Revision 22 - Model 1012 & 1014)

November 30, 2009 - Revised Manual (Manual edited to B/M 0010598 Revision 15 - Model 248)

(Manual edited to B/M 0010599 Revision 21 - Model 449)
(Manual edited to B/M 0010600 Revision 17 - Model 4610)
(Manual edited to B/M 0010601 Revision 23 - Model 7610-7616)
(Manual edited to B/M 0010602 Revision 22 - Model 1012 & 1014)

December 31, 2010 - Revised Manual (Manual edited to B/M 0010598 Revision 15 - Model 248)

(Manual edited to B/M 0010599 Revision 21 - Model 449)
(Manual edited to B/M 0010600 Revision 17 - Model 4610)
(Manual edited to B/M 0010601 Revision 23 - Model 7610-7616)
(Manual edited to B/M 0010602 Revision 22 - Model 1012 & 1014)

April 27, 2011 - Revised Manual (Manual edited to B/M 0010598 Revision 15 - Model 248)

(Manual edited to B/M 0010599 Revision 21 - Model 449)
(Manual edited to B/M 0010600 Revision 17 - Model 4610)
(Manual edited to B/M 0010601 Revision 23 - Model 7610-7616)
(Manual edited to B/M 0010602 Revision 22 - Model 1012 & 1014)

REVISION LOG

September 23, 2011 - Revised Manual (Manual edited to B/M 0010598 Revision 15 - Model 248)
(Manual edited to B/M 0010599 Revision 21 - Model 449)
(Manual edited to B/M 0010600 Revision 17 - Model 4610)
(Manual edited to B/M 0010601 Revision 23 - Model 7610-7616)
(Manual edited to B/M 0010602 Revision 22 - Model 1012 & 1014)

March 7, 2012 - Revised Manual (Manual edited to B/M 0010598 Revision 15 - Model 248)
(Manual edited to B/M 0010599 Revision 21 - Model 449)
(Manual edited to B/M 0010600 Revision 17 - Model 4610)
(Manual edited to B/M 0010601 Revision 23 - Model 7610-7616)
(Manual edited to B/M 0010602 Revision 22 - Model 1012 & 1014)

July 6, 2012 - Revised Manual (Manual edited to B/M 0010598 Revision 15 - Model 248)
(Manual edited to B/M 0010599 Revision 21 - Model 449)
(Manual edited to B/M 0010600 Revision 17 - Model 4610)
(Manual edited to B/M 0010601 Revision 23 - Model 7610-7616)
(Manual edited to B/M 0010602 Revision 22 - Model 1012 & 1014)

TABLE OF CONTENTS

FIGURE NO.	TITLE	PAGE NO.
SECTION 1 - PARTS		1-1
1-1	Tongue Component Installations	1-2
1-2	Hitch Installations	1-6
1-3	Brake Actuator Assemblies	1-10
1-4	Jack Installations	1-14
1-5	Power Components Installations	1-18
1-6	Motor/pump/tank Assembly	1-22
1-7	Cylinder Assembly (Prior to S/N 0050003037)	1-24
1-8	Cylinder Assembly (S/N 0050003037 to Present)	1-26
1-9	Deck Latch Installation	1-28
1-10	Bearing, Frame & Deck Installations	1-30
1-11	Rail & Tailgate Installations (Optional) (UT Models Only)	1-36
1-12	Enclosure Installations - Models EC10, EC12 & EC14 Only (Prior to S/N 0050002838)	1-40
1-13	Enclosure Installations - Models EC10, EC12 & EC14 Only (S/N 0050002838 to Present)	1-44
1-14	Lights Installation	1-48
1-15	Suspension Installations (Prior to S/N 0050003895)	1-52
1-16	Suspension Installations (S/N 0050003895 to Present)	1-56
1-17	Hubs Without Brakes And Tires & Wheels Installations	1-60
1-18	Electric Brake Installations	1-64
1-19	Hydraulic Surge Brake Installations (Optional)	1-68
1-20	Optional Accessory Installations	1-74
1-21	Electrical Components Installation	1-78
1-22	Electrical Schematic	1-84
1-23	Decal Installation	1-86
SECTION 2 - PART NUMBER INDEX		2-1

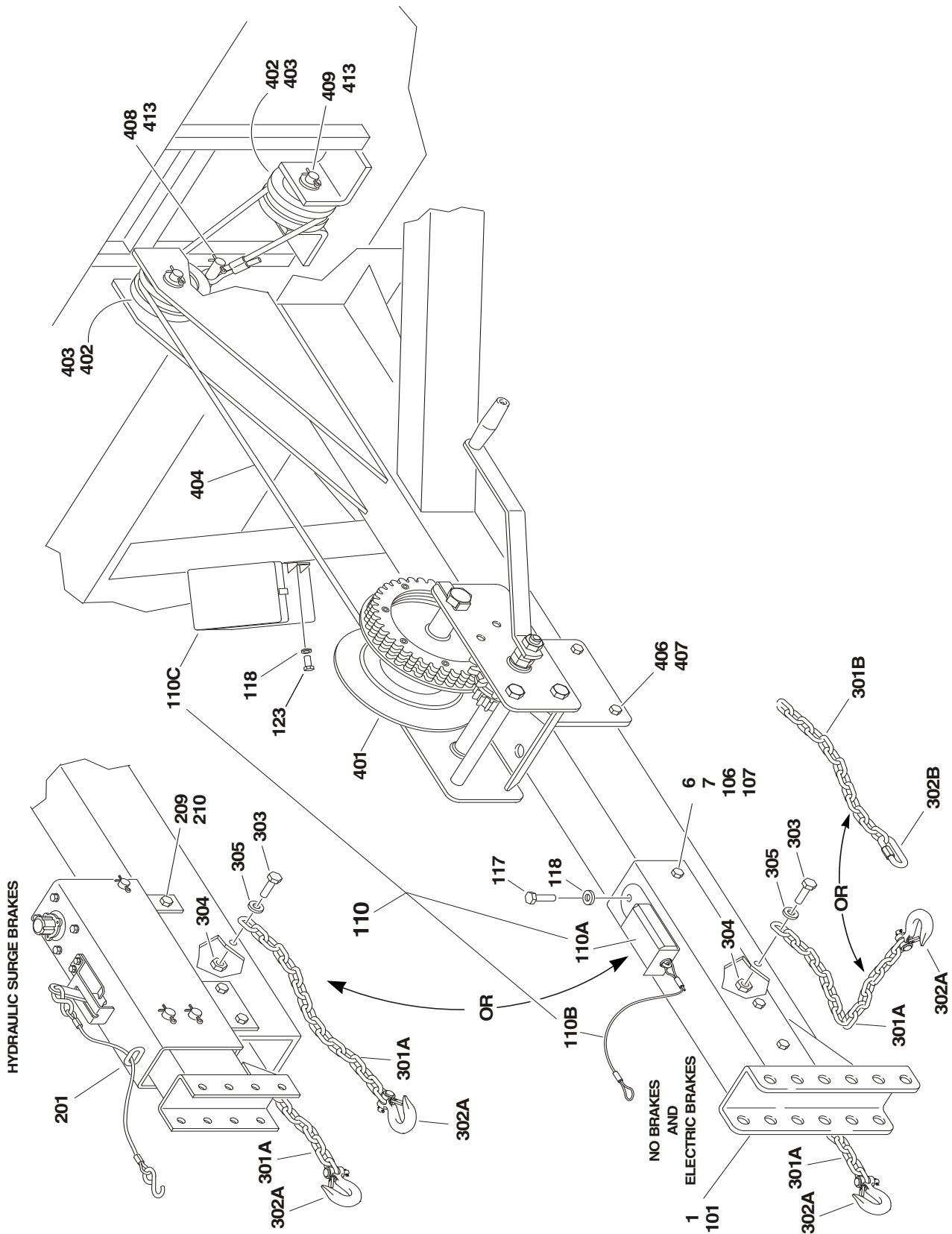
TABLE OF CONTENTS

FIGURE NO.	TITLE	PAGE NO.
------------	-------	----------

SECTION 1 PARTS

SECTION 1 PARTS

FIGURE 1-1. TONGUE COMPONENT INSTALLATIONS



SECTION 1 PARTS

FIGURE 1-1. TONGUE COMPONENT INSTALLATIONS

ITEM #	PART NUMBER	QTY.	DESCRIPTION	REV.
		Ref.	COUPLER INSTALLATION (MODELS WITHOUT BRAKES)	
	0273334	Ref.	Model 248 (Without Brakes)	B
	0273334	Ref.	Model UT28 (Without Brakes)	B
1	27422	1	Channel, Coupler	
2 to 5	Not Used			
6	80065	3	Bolt 1/2in-13NC x 4-1/2in	
7	80151	3	Locknut 1/2in-13NC	
		Ref.	COUPLER AND BREAKAWAY SWITCH INSTALLATION (MODELS WITH ELECTRIC BRAKES)	
		Ref.	Enclosed Models:	
	0273132	Ref.	Models EC10-EC14 (Single Electric Axle Brakes)	C
	0273024	Ref.	Models EC10-EC14 (Tandem Electric Axle Brakes)	C
		Ref.	Flatbed Models:	
	0273338	Ref.	Model 248 (Electric Axle Brakes)	D
	0273340	Ref.	Model 449 (Electric Axle Brakes)	C
	0273290	Ref.	Models 1012-1014 (Electric Axle Brakes)	C
	0273342	Ref.	Model 4610 (Electric Axle Brakes)	C
	0273132	Ref.	Models 7610-7616 (Single Electric Axle Brakes)	C
	0273024	Ref.	Models 7610-7616 (Tandem Electric Axle Brakes)	C
		Ref.	Utility Models:	
	0273338	Ref.	Model UT28 (Electric Axle Brakes)	D
	0273340	Ref.	Model UT49 (Electric Axle Brakes)	C
	0273342	Ref.	Model UT410 (Electric Axle Brakes)	C
	0273132	Ref.	Models UT610-UT614 (Single Electric Axle Brakes)	C
	0273024	Ref.	Models UT610-UT614 (Tandem Electric Axle Brakes)	C
	0273290	Ref.	Models UT912-UT914 (Electric Axle Brakes)	C
101		1	Channel, Coupler	
	27422		Single Axle Models	
	30408		Tandem Axle Models:	
	36413		Models EC10-EC14/7610-7616/UT610-UT614	
	Not Used		Models UT912-UT914/1012-1014	
102 to 105	Not Used			
106		3	Bolt Options:	
	80065		Bolt 1/2in-13NC x 4-1/2in (All Models Except 1012-1014 & UT912-UT914)	
	80076		Bolt 5/8in-11NC x 4-1/2in (Models 1012-1014 & UT912-914 Only)	
107		3	Locknut Options:	
	80151		Locknut 1/2in-13NC (All Models Except 1012-1014 & UT912 - UT914)	
	80161		Locknut 5/8in-11NC (Models 1012-1014 & UT912-914 Only)	
108 to 109	Not Used			

SECTION 1 PARTS

FIGURE 1-1. TONGUE COMPONENT INSTALLATIONS (CONTINUED)

ITEM #	PART NUMBER	QTY.	DESCRIPTION	REV.
110		1	Switch, Breakaway Components:	
110A			Switch Only Options:	
	71820		All Models Except Model 248 & UT28	
	71820		Models 248 & UT28 Prior to S/N 0050004430	
	Use 1001111481		Models 248 & UT28 S/N 0050004430 to Present	
110B		1	Replacement Pin & Cable Options:	
	71820-1		P/N 71820 Switch	
	Use 1001111481		P/N 1001111481 Switch	
110C	Use 1001111481	1	Battery (Used with p/n 1001111481 Switch Assembly)	
	Use 1001111481	1	Box, Battery (Used with p/n 1001111481 Switch Assy)	
111 to 116	Not Used			
117	80000	1	Bolt 1/4in-20NC x 3/8in	
118	80210	A/R	Lockwasher 1/4in (S/N 0050001206 to Present)	
119 to 122	Not Used			
123	80002	A/R	Bolt 1/4in-20NC x 3/4in	
		Ref.	COUPLER INSTALLATION (MODELS WITH HYDRAULIC SURGE BRAKES)	
		Ref.	Enclosed Models:	
	0273022	Ref.	Models EC10-EC14 (Single Axle Brakes - Optional)	B
	0273023	Ref.	Models EC10-EC14 (Tandem Axle Brakes - Standard)	B
		Ref.	Flatbed Models:	
	0273337	Ref.	Model 248 (Brakes are Optional)	B
	0273339	Ref.	Model 449	B
	0273289	Ref.	Models 1012-1014	B
	0273341	Ref.	Model 4610	B
	0273022	Ref.	Models 7610-7616 (Single Axle Brakes - Standard)	B
	0273023	Ref.	Models 7610-7616 (Tandem Axle Brakes - Optional)	B
		Ref.	Utility Models:	
	0273337	Ref.	Model UT28 (Brakes are Optional)	B
	0273339	Ref.	Model UT49	B
	0273341	Ref.	Model UT410	B
	0273022	Ref.	Models UT610-UT614 (Single Axle Brakes - Standard)	B
	0273023	Ref.	Models UT610-UT614 (Tandem Axle Brakes - Optional)	B
	0273289	Ref.	Models UT912-UT914	B
201		1	Brake Actuator Assembly Options (See Figure 5-2 for Breakdown)	
	19601		Single Axle Models	
	27611		Tandem Axle Models Options:	
	36601		Models EC10-EC14, 7610-7616 & UT610-UT614	
			Models 1012-1014 & UT912-UT914	
202 to 208	Not Used			
209		3	Bolt Options:	
	80065		Bolt 1/2in-13NC x 4-1/2in	
	80076		Bolt 5/8in-11NC x 4-1/2in (Models UT912-914 & 1012-1014)	
210		3	Nut Options:	
	80151	3	Locknut 1/2in-13NC	
	80161	3	Locknut 5/8in-11NC (Models UT912-914 & 1012-1014)	

SECTION 1 PARTS

FIGURE 1-1. TONGUE COMPONENT INSTALLATIONS (CONTINUED)

ITEM #	PART NUMBER	QTY.	DESCRIPTION	REV.
		Ref.	SAFETY CHAINS INSTALLATION	
	28104	Ref.	All Models Except Models 248 & UT 28	C
	2902293	Ref.	Models 248 & UT 28 Only	C
301		2	Chain Assembly Options:	
301A	70212		All Models Except Models 248 & UT 28 (Includes #502A Hook)	
301B	29309		Models 248 & UT 28 Only	
302		2	Chain End Options:	
302A	Use 28104		Hook (All Models Except Models 248 & UT 28) (Part of # 501)	
302B	71601		Link (Models 248 & UT 28 Only)	
303		A/R	Bolt Options:	
	80043	2	Prior to S/N0050003196	
	80065	1	S/N0050003196 to Present	
304		A/R	Nut Options:	
	80142	2	Prior to S/N0050003196	
	80151	1	S/N0050003196 to Present	
305		2	Flatwasher Options:	
	80230		Prior to S/N0050003196	
	4711800		S/N0050003196 to Present (1/2in Thin)	
	0273333	Ref.	WINCH INSTALLATION - DECK ELEVATING (MODELS 248 & UT28 ONLY)	C
401	29403	1	Winch Assembly	
	72216	1	Winch Less Mounting Plates	
	29311	2	Plate, Mounting	
402	18215	2	Pulley	
403	29313	2	Bushing, Pulley	
404	34312	1	Cable w/Eyelet	
405	Not Used	1		
406	80028	2	Bolt 3/8in-16NC x 4in	
407	80131	2	Locknut 3/8in-16NC	
408	80311	1	Pin, Clevis	
409	80313	2	Pin, Clevis	
410 to 412	Not Used			
413	80326	3	Pin, Cotter (S/N0050001331 to Present)	

SECTION 1 PARTS

FIGURE 1-2. HITCH INSTALLATIONS

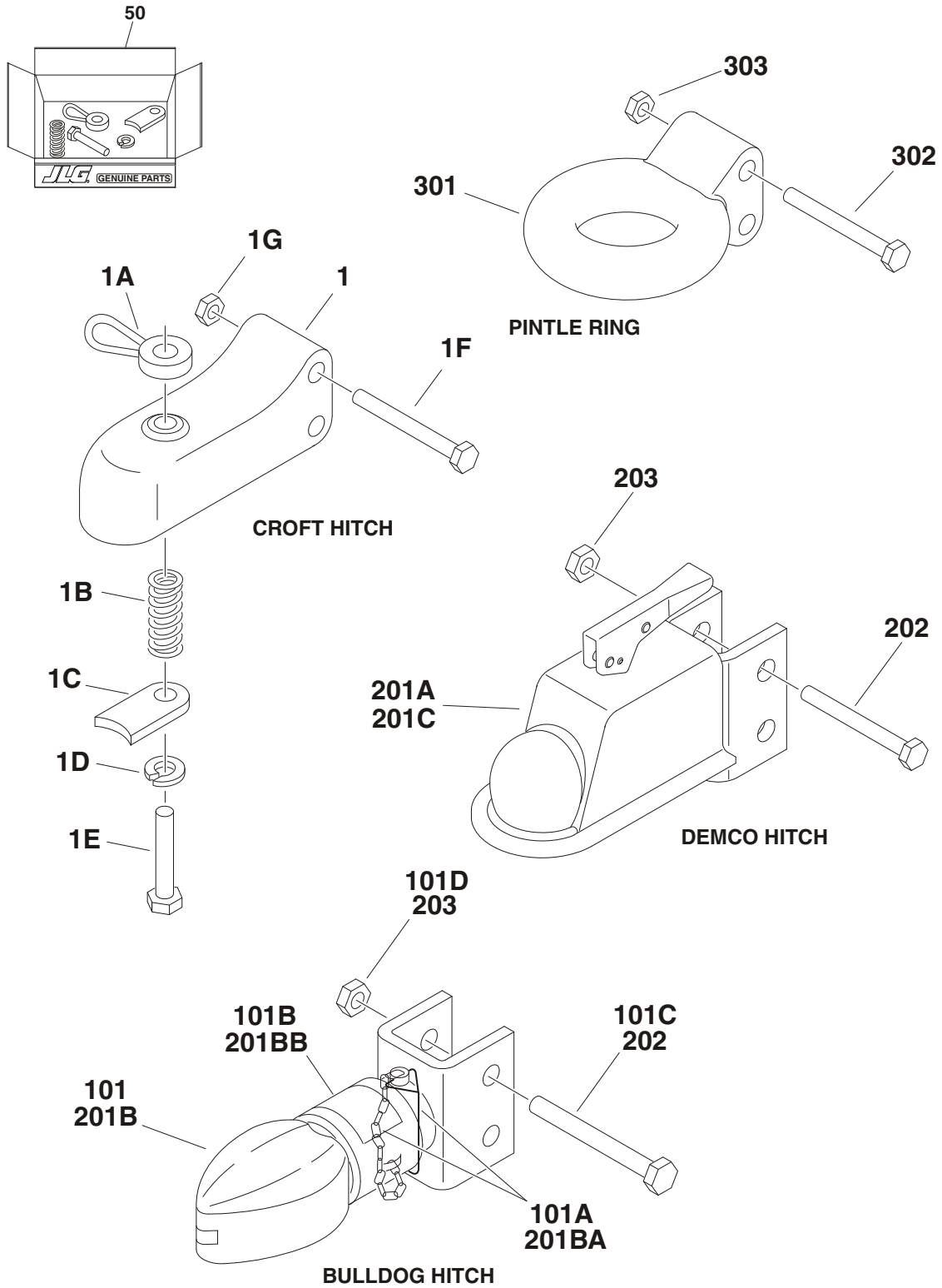


FIGURE 1-2. HITCH INSTALLATIONS

ITEM #	PART NUMBER	QTY.	DESCRIPTION	REV.
		Ref.	BALL HITCH INSTALLATIONS (EARLY PREMCO MODELS)	
1	70106 70107	1	Croft Brand Hitch Assembly: Hitch for 2in Ball (Single Axle Models) Hitch for 2-5/16in Ball (Tandem Axle Models)	
1A	Use 70142	1	Loop-Nut	
1B	Use 70142	1	Spring	
1C	Use 70142	1	Lip, Clamping	
1D	4762000	1	Lockwasher	
1E	Use 70142	1	Bolt, Square Head 5/8in-11NC x 4in	
1F	0642044	2	Bolt 5/8in-11NC x 4-1/2in	
1G	3312005	2	Locknut 5/8in-11NC	

50	70142	1	Croft Hitch Repair Kit (Includes Items 1A-1E)	
		Ref.	BALL HITCH INSTALLATIONS (LATE PREMCO MODELS & JLG MODELS PRIOR TO S/N 0050002147)	
		Ref.	Enclosed Models:	
	70108	Ref.	Models EC10-EC14 Prior to S/N 0050002147 (2 5/16 inch)	B
		Ref.	Flatbed Models:	
	70103	Ref.	Models 248, 449 & 4610 Prior to S/N 0050002147 (2 inch)	C
	70108	Ref.	Models 7610-7616 Prior to S/N 0050002147 (2 5/16 inch)	B
		Ref.	Models 1012-1014	
	70108	Ref.	Prior to S/N 0050001793 (2 5/16 inch)	B
	2620053	Ref.	S/N 0050001793 to 0050002147 (2 5/16 inch)	B
		Ref.	Utility Models:	
	70103	Ref.	Models UT28, UT49 & UT410 Prior to S/N 0050002147 (2 inch)	C
	70108	Ref.	Models UT610-UT614 & UT912-UT914 Prior to S/N 0050002147 (2 5/16 inch)	B
101	70103 Use 2620058 Use 2620058 2620053	1	Bulldog Brand Hitch Assembly: Hitch for 2in Ball (Single Axle Models) Hitch for 2 5/16in Ball (Tandem Axle Models) Options: All Except Models 1012-1014 (was p/n 70108) Models 1012-1014 Prior to S/N 0050001793 (was p/n 70108) S/N 0050001793 to S/N 0050002147	
101A	7026324	1	Snap Pin & Chain	
101B	7026325 7026327	1	Decal Options: 2in Ball 2 5/16in Ball	
101C	0642044	2	Bolt 5/8in-11NC x 4-1/2in	
101D	80161	2	Locknut 5/8in-11NC	

SECTION 1 PARTS

FIGURE 1-2. HITCH INSTALLATIONS (CONTINUED)

ITEM #	PART NUMBER	QTY.	DESCRIPTION	REV.
		Ref.	BALL HITCH INSTALLATIONS (JLG MODELS S/N 0050002147 TO PRESENT)	
	0275052	Ref.	Enclosed Models:	
		Ref.	Models EC10-EC14 S/N 0050002147 to Present (2 5/16 inch)	D
	0275051	Ref.	Flatbed Models:	
		Ref.	Model 248 S/N 0050002147 to Present (2 inch)	D
	0275051	Ref.	Model 449	
	70103	Ref.	S/N 0050002147 to S/N 0050002403 (2 inch)	D
	0275891	Ref.	S/N 0050002403 to S/N 0050002838 (2 inch)	C
	0275052	Ref.	S/N 0050002838 to Present (2 inch)	B
	0275052	Ref.	S/N 0050002147 to Present (2 5/16 inch)	D
	0275052	Ref.	Models 4610, 7610-7616 & 1012-1014 S/N 0050002147 to Present (2 5/16 inch)	D
		Ref.	Utility Models:	
	0275051	Ref.	Model UT28 S/N 0050002147 to Present (2 inch)	D
		Ref.	Model UT49	
	0275051	Ref.	S/N 0050002147 to S/N 0050002403 (2 inch)	D
	70103	Ref.	S/N 0050002403 to S/N 0050002838 (2 inch)	C
	0275891	Ref.	S/N 0050002838 to Present (2 inch)	B
	0275052	Ref.	S/N 0050002147 to Present (2 5/16 inch)	D
	0275052	Ref.	Model UT410, UT610-UT614 & UT912-UT914 S/N 0050002147 to Present (2 5/16 inch)	D
201		1	Hitch Assembly:	
201A	2620054		Hitch for 2in Ball	
201A	2620054		All Models except 449 & UT49	
201B	70103		Models 449 & UT49 Only	
201BA	7026324	1	S/N 0050002147 to S/N 0050002403	
201BB	7026325	1	S/N 0050002403 to Present	
201C	2620058		Snap Pin & Chain	
202		A/R	Decal	
	0642044	2	Hitch for 2-5/16in Ball	
	0642012	4	Bolt Options:	
203	80161	A/R	Prior to S/N 0050003099	
			S/N 0050003099 to Present	
			Locknut 5/8in-11NC	
	0273011	Ref.	PINTLE HITCH INSTALLATION (OPTIONAL)	E
301		1	Ring, Pintle Options:	
	71503		Prior to S/N 0050002147	
	2620059		S/N 0050002147 to Present	
302		A/R	Bolt Options:	
	0642044	2	Prior to S/N 0050003099	
	0642012	4	S/N 0050003099 to Present	
303	80161	A/R	Locknut 5/8in-11NC	

FIGURE 1-2. HITCH INSTALLATIONS (CONTINUED)

ITEM #	PART NUMBER	QTY.	DESCRIPTION	REV.

SECTION 1 PARTS

FIGURE 1-3. BRAKE ACTUATOR ASSEMBLIES

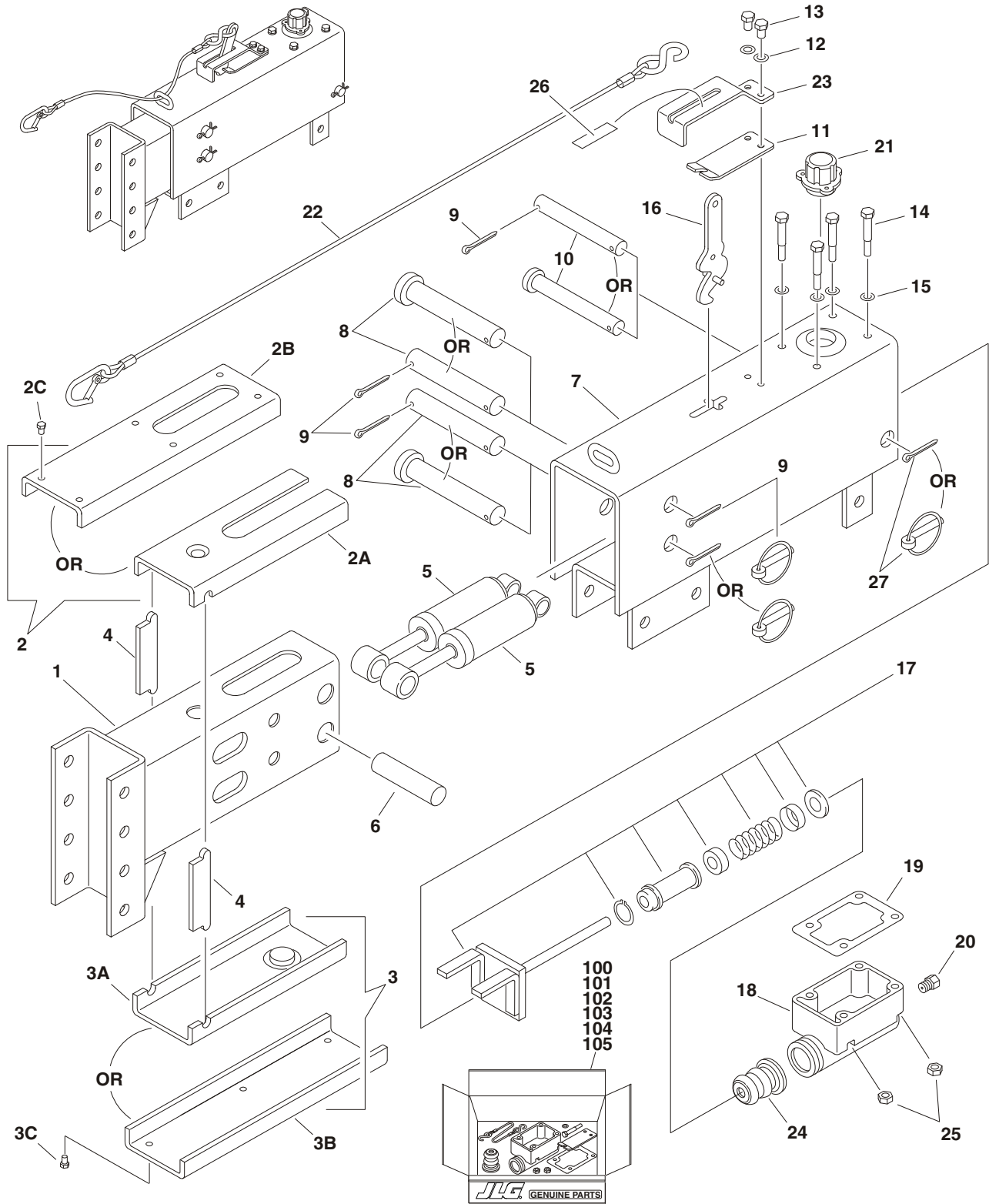


FIGURE 1-3. BRAKE ACTUATOR ASSEMBLIES

ITEM #	PART NUMBER	QTY.	DESCRIPTION	REV.
		Ref.	BRAKE ACTUATOR ASSEMBLIES	
		Ref.	Enclosed Models:	
	27611	Ref.	Models EC10-EC14 (Actuator Model DA10)	A
		Ref.	Flatbed Models:	
	19601	Ref.	Model 248, 449 & 4610 (Actuator Model 91)	A
	36601	Ref.	Models 1012-1014 (Actuator Model DA20)	B
	27611	Ref.	Models 7610-7616 (Actuator Model DA10)	A
		Ref.	Utility Models:	
	19601	Ref.	Model UT28, UT49 & UT410 (Actuator Model 91)	A
	27611	Ref.	Models UT610-UT614 (Actuator Model DA10)	A
	36601	Ref.	Models UT912-UT914 (Actuator Model DA20)	B
1		1	Channel, Coupler Options:	
	7026363		Actuator Model 91	
	7026364		Actuator Model DA10	
	7026376		Actuator Model DA20	
2		A/R	Pad, Wear (Top) Options:	
2A	Use 70002722	1	Actuator Model 91 (was p/n 7026358)	
2A	Use 70002723	1	Actuator Model DA10 (was p/n 7026358)	
2B	Use 70002719	1	Actuator Model DA20 (was p/n 7026377)	
2C	See Note	6	Screw, Flathead 1/4in-20NC x 1/2in(Note: Supply Locally)	
3		A/R	Pad, Wear (Bottom) Options:	
3A	Use 70002722	1	Actuator Model 91 (was p/n 7026359)	
3A	Use 70002723	1	Actuator Model DA10 (was p/n 7026359)	
3B	Use 70002719	1	Actuator Model DA20 (was p/n 7026378)	
3C	Not Available	6	Screw, Flathead 1/4in-20NC x 1/2in(Note: Supply Locally)	
4		A/R	Spacer, Block Options:	
	Use 70002722		Actuator Model 91 (was p/n 7026360)	
	Use 70002723		Actuator Model DA10 (was p/n 7026365)	
	Not Required		Actuator Model DA20	
5	7026353	A/R	Shock, Dampener Options:	
		1	Actuator Model 91	
		2	Actuator Model DA10	
		2	Actuator Model DA20	
6		1	Pin, Shock (Front) Options:	
	7026352		Actuator Model 91	
	7026366		Actuator Model DA10	
	7026379		Actuator Model DA20	
7		1	Case, Outer Options:	
	7026354		Actuator Model 91	
	7026375		Actuator Model DA10	
	7026380		Actuator Model DA20	
8		A/R	Pin, Coupler to Case Connector	
	7026357	1	Actuator Model 91	
	7026367	2	Actuator Model DA10	
	7026381	2	Actuator Model DA20	
9		A/R	Pin Options:	
	See Note	4	Pin, Cotter	
	70002638	2	Pin, Clip	

SECTION 1 PARTS

FIGURE 1-3. BRAKE ACTUATOR ASSEMBLIES (CONTINUED)

ITEM #	PART NUMBER	QTY.	DESCRIPTION	REV.
10		A/R	Pin, Shock (Rear) Options:	
	Not Required	0	Actuator Model 91	
	7026368	1	Actuator Model DA10	
	7026382	1	Actuator Model DA20	
11	Use 7026361	1	Spring, Emergency Lever	
12	See Note	2	Starwasher 5/16in External Tooth (Note: Supply Locally)	
13	0641505	2	Bolt 5/16in-18NC x 5/8in	
14		4	Bolt 1/4in-20NC Options:	
	0641416		Bolt 1/4in-20NC x 2in	
	0641406		Bolt 1/4in-20NC x 3/4in	
15	4761400	4	Lockwasher 1/4in	
16	Use 7026361	1	Lever, Emergency	
17	Use 19615	1	Rod & Piston Assembly (Master Cylinder)	
18	Use 19615	1	Reservoir (Master Cylinder)	
19	See Note	1	Gasket (Master Cylinder) (Note: Use Items 101 & 102)	
20	7026355	1	Fitting with Orifice	
21	19616	1	Cap, Fill with Diaphragm & O-Ring (Master Cylinder)	
22	19613	1	Cable with S-Hooks	
	Use 19613	2	Replacement S-Hooks	
23		1	Guide, Lever Options:	
	7026356		Actuator Model 91	
	7026372		Actuator Model DA10	
	7026372		Actuator Model DA20	
24	7026374	1	Boot	
25	3311401	4	Nut 1/4in-20NC	
26	7026373	1	Decal - Towable/Not Towable	
27		A/R	Pin Options:	
	See Note	2	Pin, Cotter (Note: Supply Locally)	
	70002637	1	Pin, Clip	
		Ref.	Repair Kit Options:	
100	7026361	1	Emergency Lever Replacement Kit (Includes Items 11, 16 & 22)	
101	7026362	1	Master Cylinder Repair Kit (Includes Items 19, 24 and Parts to Rebuilt #17)	
102	19615	1	Master Cylinder Replacement Kit (Includes Items 14, 15, 18, 19 and 25)	
103	70002722	1	Slide Kit - Model 91 (Includes Items 2A, 3A & 4)	
104	70002723	1	Slide Kit - Model DA10 (Includes Items 2A, 3A & 4)	
105	70002719	1	Slide Kit - Model DA20 (Includes Items 2A & 3A)	

FIGURE 1-3. BRAKE ACTUATOR ASSEMBLIES (CONTINUED)

ITEM #	PART NUMBER	QTY.	DESCRIPTION	REV.

SECTION 1 PARTS

FIGURE 1-4. JACK INSTALLATIONS

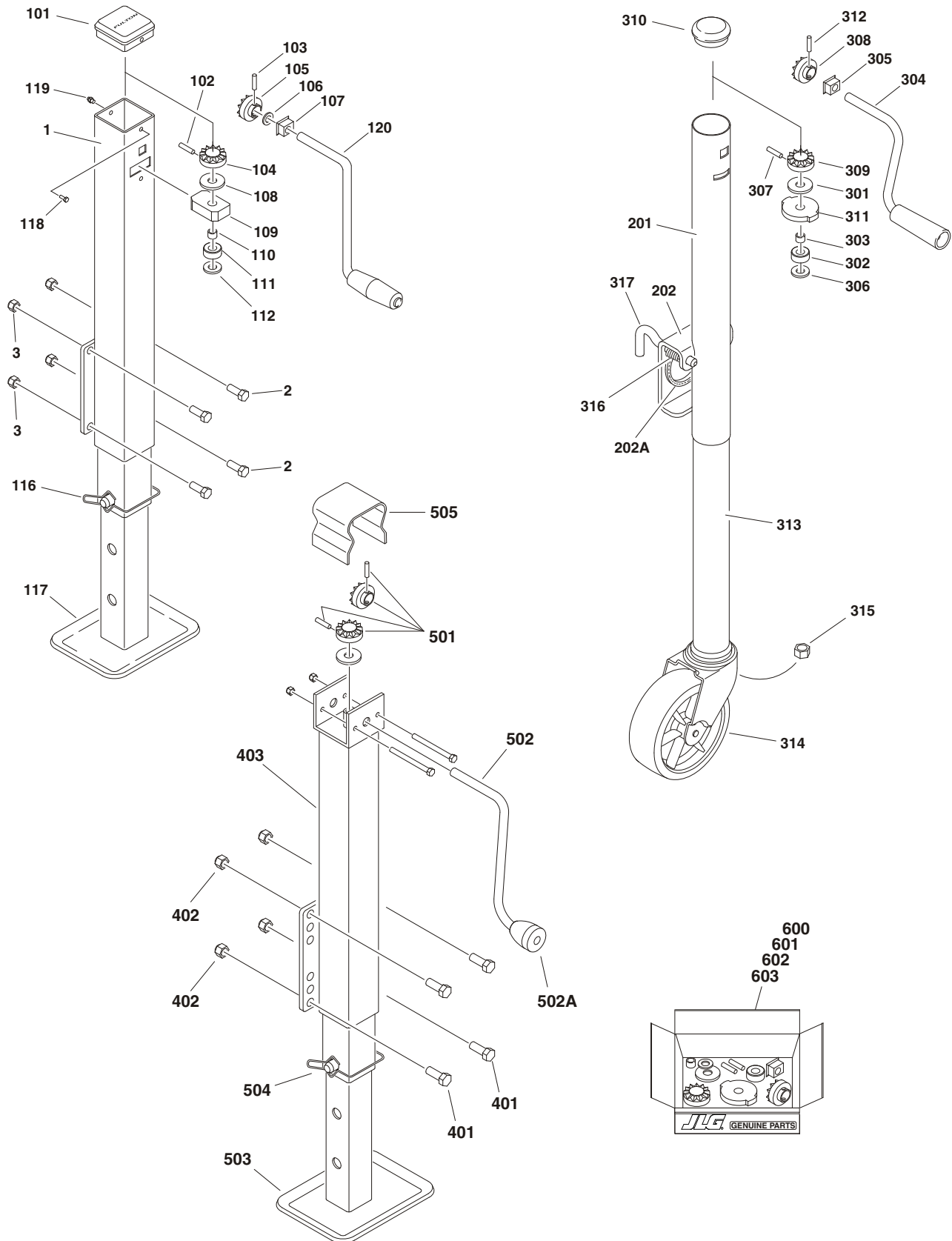


FIGURE 1-4. JACK INSTALLATIONS

ITEM #	PART NUMBER	QTY.	DESCRIPTION	REV.
		Ref.	JACK INSTALLATIONS	
	0273012	Ref.	Cequent/Fulton Jack Installation (Available on Models EC10-EC14, Heavy Duty 449, 7610-7616, Heavy Duty UT49, UT610-UT614 Prior to JLG S/N 0050001119)	A
	0273283	Ref.	Cequent/Fulton Jack Installation (Available on Models 1012-1014 & UT912-UT914 Prior to JLG S/N 0050001119)	A
	0274184	Ref.	Bulldog Jack Installation (Available on Models EC10-EC14, Heavy Duty 449, 7610-7616, 1012-1014, Heavy Duty UT49, UT610-UT614 & UT912-UT914 JLG S/N 0050001119 to Present)	C
	0273344	Ref.	Atwood Jack Installation (Available on Models 248, Std 449, 4610, UT28, Std UT49 & UT410)	A
		Ref.	Cequent/Fulton Jack Installations (Prior to JLG S/N 0050001119)	
	0273012	Ref.	Models EC10-EC14, Heavy Duty 449, 7610-7616, Heavy Duty UT49, UT610-UT614	A
	0273283	Ref.	Models 1012-1014 & UT912-UT914	A
1		1	Jack Assembly Options:	
	Use 2840028		Models EC10-14, 7610-7616, UT610-UT614 (was p/n 28408)	
	Use 2840028		Models 449 & UT49 with Heavy Duty Jack (Prior to S/N 0050001220) (was p/n 28408)	
	Use 2840028		Models 1012-1014 & UT912-UT914 (was p/n 36412)	
	Use 2840028	1	Jack without Welded-on Bracket (was p/n 70907)	
2	80022	4	Bolt 3/8in-16NC x 1in	
3	80131	4	Locknut 3/8in-16NC	
	2840028	Ref.	Cequent/Fulton Jack Assembly (was p/ns 28408 & 36412)	
101		1	Cap Options:	
	70908		Black Plastic	
	7026338		Steel	
102	Use 70912	1	Pin, Straight	
103	See Note	1	Pin, Groove (Note: Use Items 600 & 602)	
104	Use 70912	1	Gear, Horizontal	
105	Use 70912	1	Gear, Vertical	
106	See Note	1	Thrustwasher (Note: Use Items 600 & 602)	
107	See Note	1	Bushing (Note: Use Items 600 & 602)	
108	Use 70912	1	Flatwasher	
109	7026339	1	Plate, Support	
110	Use 70913	1	Spacer	
111	Use 70913	1	Bearing	
112	Use 70913	1	Flatwasher	
113 to 115	Not Used			
116	7026606	1	Pin, Lynch (Note: Per vendor, pin was 5/8" dia. but is no longer available. Replacement pin is 9/16" dia.)	
117	7026344	1	Foot & Lower Tube Weldment	
118	See Note	1	Screw (Note: Not Available - Supply Locally)	
119	See Note	1	Fitting, Grease (Note: Not Available - Supply Locally)	
120	Use 70911	1	Handle Assembly	

SECTION 1 PARTS

FIGURE 1-4. JACK INSTALLATIONS (CONTINUED)

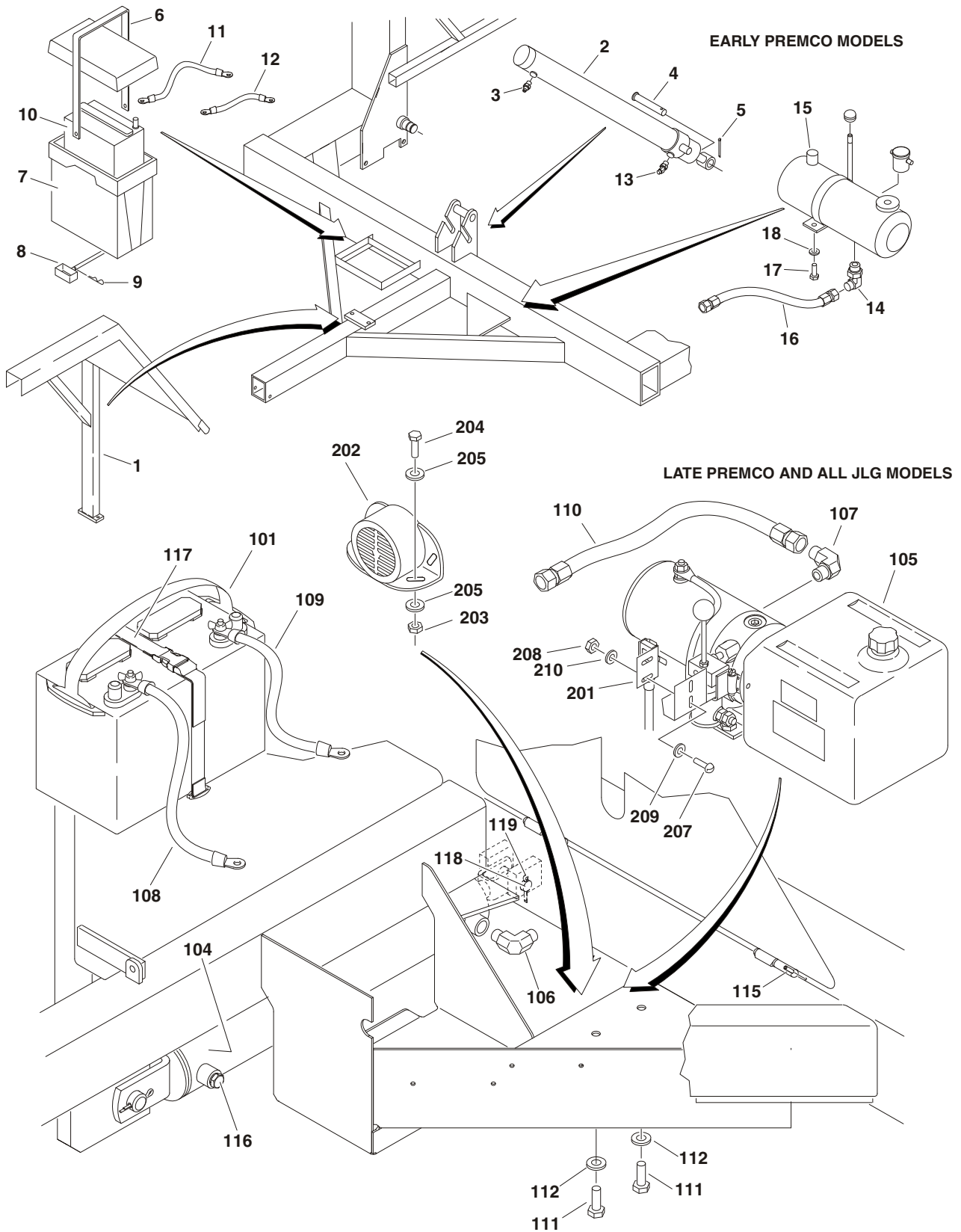
ITEM #	PART NUMBER	QTY.	DESCRIPTION	REV.
	0273344	Ref.	Atwood Jack Installation	A
201	70905	1	Jack Assembly (See Items 301-317 for Breakdown)	
202	70902	1	Bracket with Ring, Retaining (Welded on Part)	
202A	70906	1	Ring, Retaining	
	70905	Ref.	Atwood Jack Assembly	A
301	Use 7026619	1	Thrustwasher	
302	Use 7026619	1	Sleeve, Felt	
303	Use 7026619	1	Bearing	
304	Use 7026619	1	Handle Assembly	
305	Use 7026619	1	Sleeve	
306	Use 7026619	1	Flatwasher	
307	Use 7026619	1	Rollpin	
308	Use 7026619	1	Gear, Vertical	
309	Use 7026619	1	Gear, Horizontal	
310	70910	1	Cap	
311	Use 7026619	1	Plate, Support	
312	Use 7026619	1	Pin, Grooved	
313	Use 70905	1	Tube, Lower	
314	Use 70905	1	Wheel & Caster Assembly	
315	Use 70905	1	Nut	
316	Use 70905	1	Spring	
317	Use 70905	1	Latch, Pin	
	0274184	Ref.	Bulldog Jack Installation (JLG S/N 0050001119 to Present)	C
401	80043	4	Bolt 7/16in-14NC x 1-1/2in	
402	80141	4	Locknut 7/16in-14NC	
403	2840025	1	Jack Assembly	
	2840025	Ref.	Bulldog Jack Assembly	D
501	7027516	1	Gear Kit (Includes 2 Gears & 2 Pins)	
502	7027517	1	Crank Kit (Includes Crank Handle & Knob)	
502A	7027520	1	Knob, Black	
503	7027519	1	Drop Leg, Replacement	
504	7027518	1	Pin Kit - Drop Leg	
505	7027521	1	Cap, Replacement	
		Ref.	Repair Kit Options:	
600	70912	1	Bevel Gear Kit (Includes Items 102-108)	
601	70913	1	Bearing Kit (Includes Items 110-112)	
602	70911	1	Handle Kit (Includes Items 103, 106, 107 & 120)	
603	7026619	1	Repair Kit (Includes Items 301-312)	

FIGURE 1-4. JACK INSTALLATIONS (CONTINUED)

ITEM #	PART NUMBER	QTY.	DESCRIPTION	REV.

SECTION 1 PARTS

FIGURE 1-5. POWER COMPONENTS INSTALLATIONS



SECTION 1 PARTS

FIGURE 1-5. POWER COMPONENTS INSTALLATIONS

ITEM #	PART NUMBER	QTY.	DESCRIPTION	REV.
		Ref.	POWER COMPONENTS INSTALLATION (EARLY PREMCO MODELS)	
1	26404	1	Shield, Cylinder	
2	19600	1	Cylinder Assembly (No Internal Serviceable Parts Available)	
3	70122	1	Breather, Air	
4	80315	1	Pin, Clevis	
5	80322	1	Pin, Cotter	
6	19325	1	Strap, Battery	
7	70123	1	Box, Battery	
8	19409	1	Pin, Battery Box	
9	80326	1	Hairpin	
10	70124	1	Battery	
11	70206	1	Cable, Red Battery	
12	70207	1	Cable, Black Battery	
13	70514	1	Fitting, 45°	
14	70518	1	Fitting, 90°	
15	71201	1	Motor/Pump/Tank Assembly (See Figure 1-6 for Breakdown)	
16	70707	1	Hose	
17	80022	2	Bolt 3/8in-16NC x 1in	
18	80231	2	Lockwasher 3/8in	
		Ref.	POWER COMPONENTS INSTALLATION (LATE PREMCO AND ALL JLG MODELS)	
		Ref.	Enclosed Models:	
	0273015	Ref.	Models EC10-EC14	E
		Ref.	Flatbed Models:	
		Ref.	Model 449	
	0273345	Ref.	Prior to S/N 0050003037	D
	0273015	Ref.	S/N 0050003037 to Present	E
	0273285	Ref.	Models 1012-1014	E
		Ref.	Model 4610	
	0273352	Ref.	Prior to S/N 0050003037	C
	0273015	Ref.	S/N 0050003037 to Present	E
	0273015	Ref.	Models 7610-7616	E
		Ref.	Utility Models:	
		Ref.	Model UT49	
	0273345	Ref.	Prior to S/N 0050003037	D
	0273015	Ref.	S/N 0050003037 to Present	E
		Ref.	Model UT410	
	0273352	Ref.	Prior to S/N 0050003037	C
	0273015	Ref.	S/N 0050003037 to Present	E
	0273015	Ref.	Models UT610-UT614	E
	0273285	Ref.	Models UT912-UT914	E
101	70124	1	Battery	
102 to 103	Not Used			

SECTION 1 PARTS

FIGURE 1-5. POWER COMPONENTS INSTALLATIONS (CONTINUED)

ITEM #	PART NUMBER	QTY.	DESCRIPTION	REV.
104		1	Cylinder Assembly Options: Prior to S/N 0050003037 (See Figure 1-7 for Breakdown) All Models Except 1012-1014 & UT912-UT914 (was p/n 27601) Use 1001092096 Use 1001091848 Models 1012-1014 & UT912-UT914 Only (was p/n 36600) S/N 0050003037 to Present (See Figure 1-8 for Breakdown) All Models Except 1012-1014 & UT912-UT914 1001092096 1001091848 Models 1012-1014 & UT912-UT914 Only	
105	71201	1	Motor/Pump/Tank Assembly (See Figure 1-6 for Breakdown)	
106	70515	1	Fitting, 90°	
107	70518	1	Fitting, 90°	
108	70215	1	Cable, Red Battery	
109	70216	1	Cable, Black Battery	
110	70707	1	Hose	
111	80022	2	Bolt 3/8in-16NC x 1in	
112	80231	2	Lockwasher 3/8in	
113 to 114	Not Used			
115	80332	2	Pin, Roll (S/N 0050001617 to Present)	
116	1001092070	1	Vent (S/N 0050003037 to Present)	
117	4240177	1	Strap, Battery (S/N 0050004224 to Present)	
118	36315	1	Pin, Cylinder	
119	3450808	2	Pin, Cotter	
	0273025	Ref.	MOTION ALARM INSTALLATION	F
201	71821	1	Microswitch with Bracket	
202		1	Alarm Options: Prior to S/N 0050001788 (Was P/N 70040) S/N 0050001788 to Present Use 0140016 0140016	
203	3311408	2	Locknut 1/4in-20NC	
204	0791406	2	Bolt 1/4in-20NC x 3/4in	
205	80209	A/R	Flatwasher 1/4in (Prior to S/N 0050004224)	
206	70161	1	Bracket, Mounting	
207	80010	2	Screw, Machine #10-24NC x 1/2in	
208	80103	2	Nut #10-24NC	
209	80202	2	Flatwasher #10	
210	80201	2	Starwasher	

FIGURE 1-5. POWER COMPONENTS INSTALLATIONS (CONTINUED)

ITEM #	PART NUMBER	QTY.	DESCRIPTION	REV.

SECTION 1 PARTS

FIGURE 1-6. MOTOR/PUMP/TANK ASSEMBLY

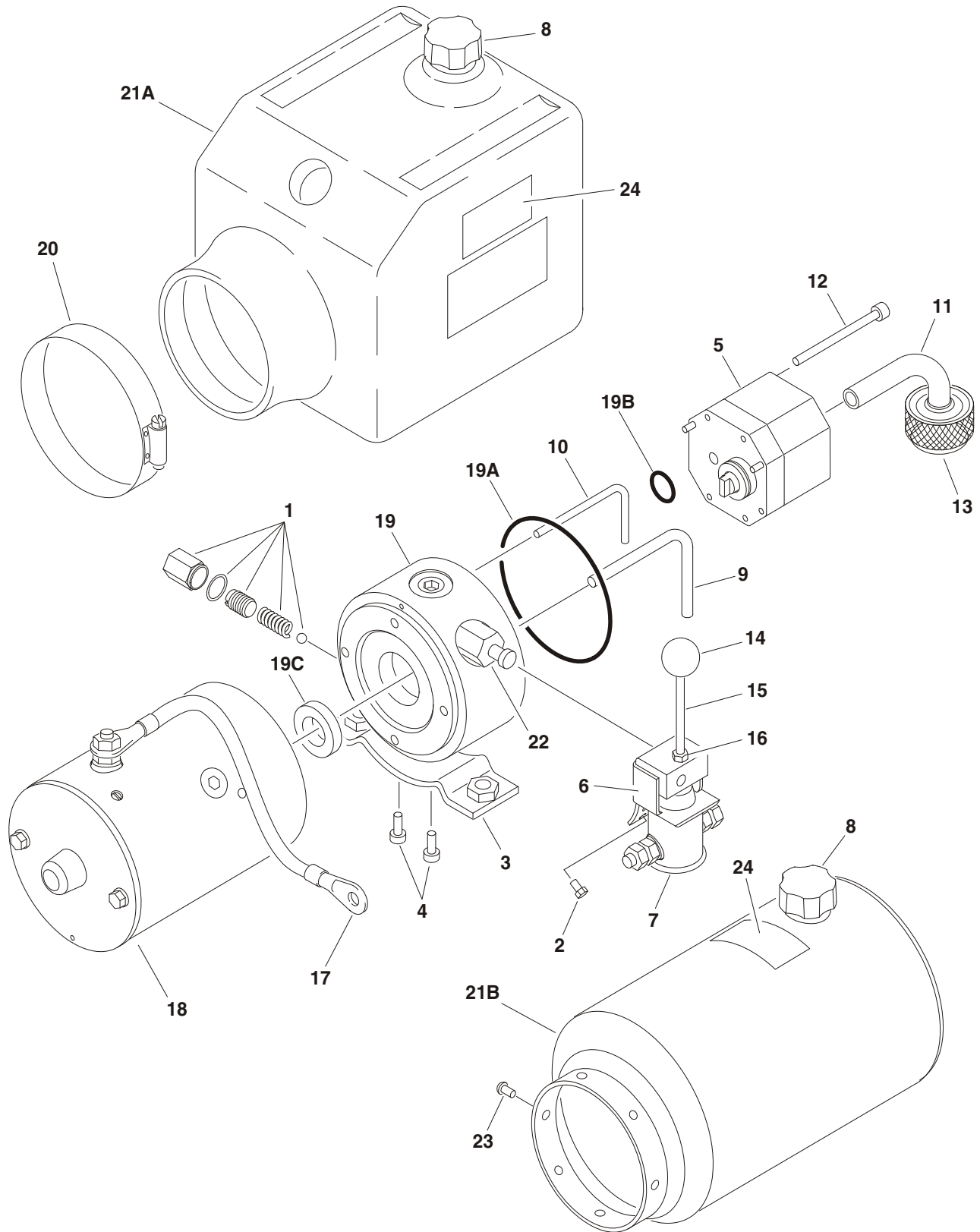
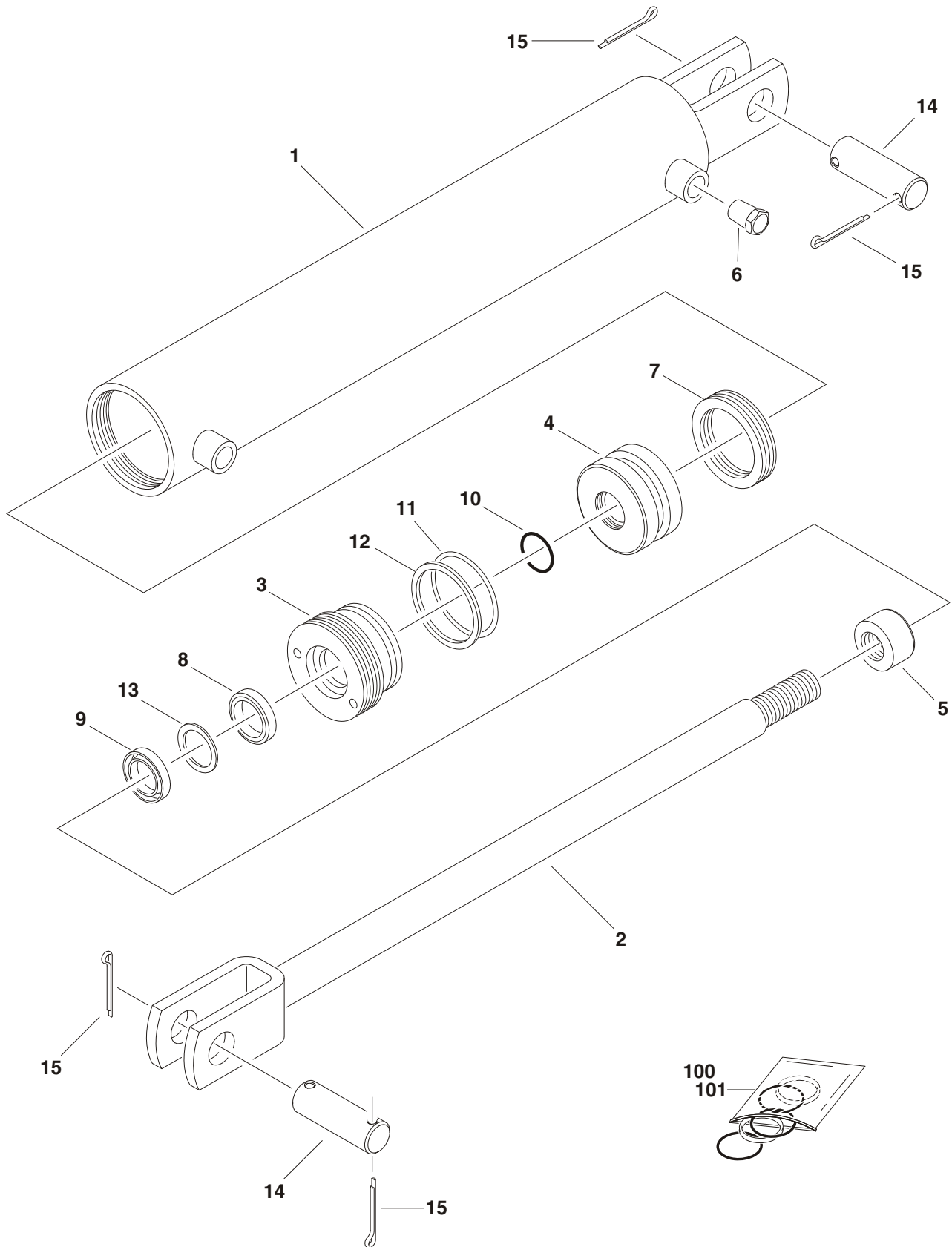


FIGURE 1-6. MOTOR/PUMP/TANK ASSEMBLY

ITEM #	PART NUMBER	QTY.	DESCRIPTION	REV.
	71201	Ref.	MOTOR/PUMP/TANK ASSEMBLY	A
1	7026328	1	Valve, Adjustable Relief (Includes Spring, Ball, Setscrew & Plug)	
2	See Note	4	Screw (Note: Not Available - Purchase Locally)	
3	7026329	1	Bracket	
4	See Note	2	Screw (Note: Not Available - Purchase Locally)	
5	7026166	1	Pump Assembly	
	Use 7026166	1	Seal Kit - 7026166 Pump (Note: Not Available for Purchase)	
6	71207	1	Switch Bracket Assembly	
7	71205	1	Solenoid	
8	7026160	1	Cap, Reservoir (Was p/n 71206)	
9	7026161	1	Tube, Return	
10	7026162	1	Tube, Return (Relief Valve)	
11	7026163	1	Tube, Supply	
12	7026164	4	Screw (Fastens Pump to Base)	
13	7026165	1	Filter	
14	7026167	1	Knob, Ball (Was p/n 71203)	
15	7026168	1	Rod, Actuator (Was p/n 71204)	
16	7026169	1	Nut, Jam	
17	7026158	1	Cable, Electrical	
18	7026157	1	Motor Assembly	
	7026331	1	Brush Kit - 7026157 Motor (Includes Springs, Holder & Brushes)	
19		1	Base Assembly Options:	
	7026334		Base Used White Square Tank (Clamped on)	
	7026334		Base Used Black Cylindrical Tank (Fastened with 6 Screws)	
19A	70003613	1	O-Ring, Tank	
19B	70003612	1	O-Ring	
19C	7026330	1	Seal, Shaft	
20	7026335	1	Clamp	
21		1	Tank Options:	
21A	2910961		White Square Tank (Clamped on) (Was p/n 7026159)	
21B	7026336		Black Cylindrical Tank (Fastened with 6 Screws)	
22	7026337	1	Plunger Valve	
23	See Note	6	Screw (Note: Not Available - Purchase Locally)	
24	70226312	1	Decal - Fill Instructions	

SECTION 1 PARTS

FIGURE 1-7. CYLINDER ASSEMBLY (PRIOR TO S/N 0050003037)



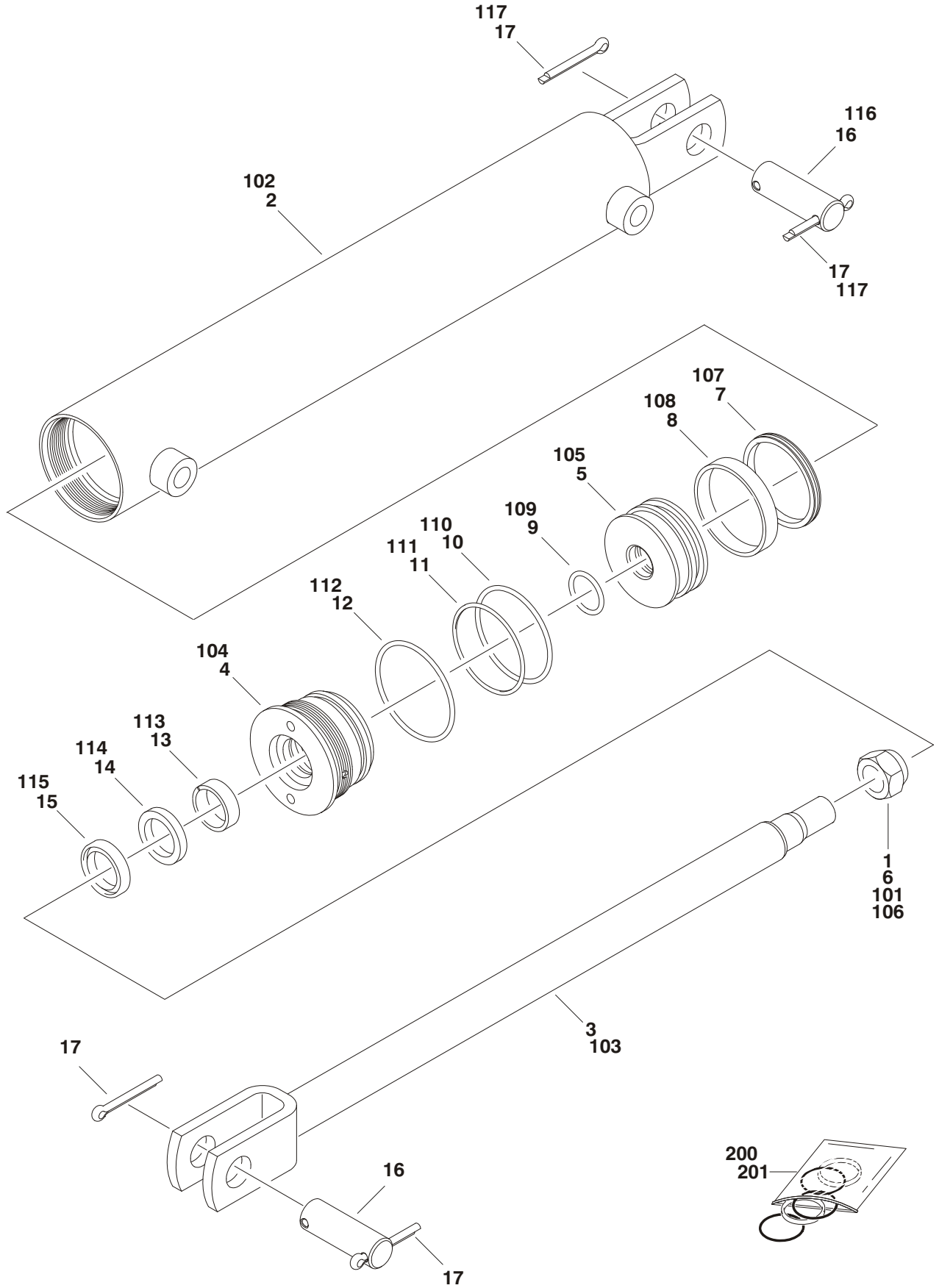
SECTION 1 PARTS

FIGURE 1-7. CYLINDER ASSEMBLY (PRIOR TO S/N 0050003037)

ITEM #	PART NUMBER	QTY.	DESCRIPTION	REV.
		Ref.	CYLINDER ASSEMBLIES	
	27601	Ref.	All Models Except 1012-1014 & UT912-UT914	A
	36600	Ref.	Models 1012-1014 & UT912-UT914 Only	S
1		1	Barrel Options:	
	7026320		27601 Cylinder	
	7026314		36600 Cylinder	
2		1	Rod Options:	
	7026321		27601 Cylinder	
	7026315		36600 Cylinder	
3		1	Gland Options:	
	Use 27601		27601 Cylinder	
	7026316		36600 Cylinder	
4		1	Piston Options:	
	7026322		27601 Cylinder	
	7026317		36600 Cylinder	
5	7026318	1	Nut, Grade 8	
6	70122	1	Breather	
7	See Note	1	Seal (Note: Use Items 100 & 101)	
8	See Note	1	Seal (Note: Use Items 100 & 101)	
9	See Note	1	Wiper, Rod (Note: Use Items 100 & 101)	
10	See Note	1	O-Ring (Note: Use Items 100 & 101)	
11	See Note	1	O-Ring (Note: Use Items 100 & 101)	
12	See Note	1	Ring, Back-up (Note: Use Items 100 & 101)	
13	See Note	1	Ring, Back-up (Note: Use Items 100 & 101)	
14	80315	2	Pin, Clevis	
15	80322	4	Pin, Cotter	
		1	----- Seal Kit Options (Includes Item 7-13):	
100	27607		27601 Cylinder	
101	7026319		36600 Cylinder	

SECTION 1 PARTS

FIGURE 1-8. CYLINDER ASSEMBLY (S/N 0050003037 TO PRESENT)



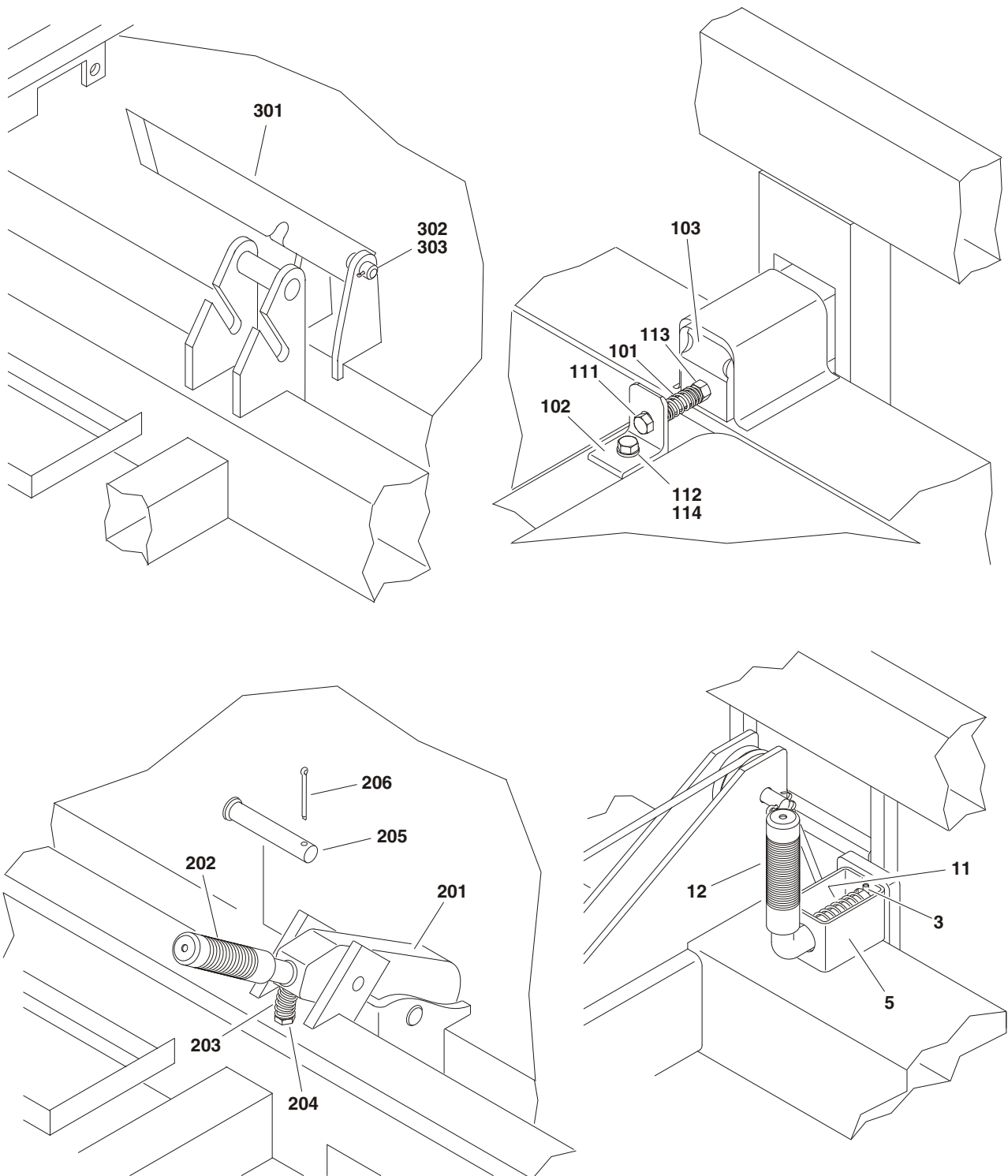
SECTION 1 PARTS

FIGURE 1-8. CYLINDER ASSEMBLY (S/N 0050003037 TO PRESENT)

ITEM #	PART NUMBER	QTY.	DESCRIPTION	REV.
		Ref.	CYLINDER ASSEMBLIES	
	1001092096	Ref.	All Models Except 1012-1014 & UT912-UT914	C
1	0100019	A/R	Compound, Locking	
2	1001092097	1	Barrel	
3	1001092099	1	Rod	
4	1001092102	1	Gland	
5	1001092101	1	Piston	
6	1001093276	1	Nut	
7	Use 1001092050	1	Seal, Piston	
8	Use 1001092050	1	Ring, Wear	
9	Use 1001092050	1	O-Ring	
10	Use 1001092050	1	O-Ring	
11	Use 1001092050	1	Ring, Back-up	
12	Use 1001092050	1	O-Ring	
13	Use 1001092050	1	Ring, Wear	
14	Use 1001092050	1	Seal, Rod	
15	Use 1001092050	1	Wiper, Rod	
16	80315	2	Pin, Clevis	
17	3450808	4	Pin, Cotter	
	1001091848	Ref.	Models 1012-1014 & UT912-UT914 Only	C
101	0100019	A/R	Compound, Locking	
102	1001091849	1	Barrel	
103	1001091851	1	Rod	
104	1001091855	1	Gland	
105	1001091853	1	Piston	
106	1001093189	1	Nut	
107	Use 1001092049	1	Seal, Piston	
108	Use 1001092049	1	Ring, Wear	
109	Use 1001092049	1	O-Ring	
110	Use 1001092049	1	O-Ring	
111	Use 1001092049	1	Ring, Back-up	
112	Use 1001092049	1	O-Ring	
113	Use 1001092049	1	Ring, Wear	
114	Use 1001092049	1	Seal, Rod	
115	Use 1001092049	1	Wiper, Rod	
116	80315	1	Pin, Clevis	
117	3450808	2	Pin, Cotter	
		Ref.	Kit Options:	
200	1001092050	1	Seal Kit (Includes Item 7-15)	
201	1001092049	1	Seal Kit (Includes Item 107-115)	

SECTION 1 PARTS

FIGURE 1-9. DECK LATCH INSTALLATION



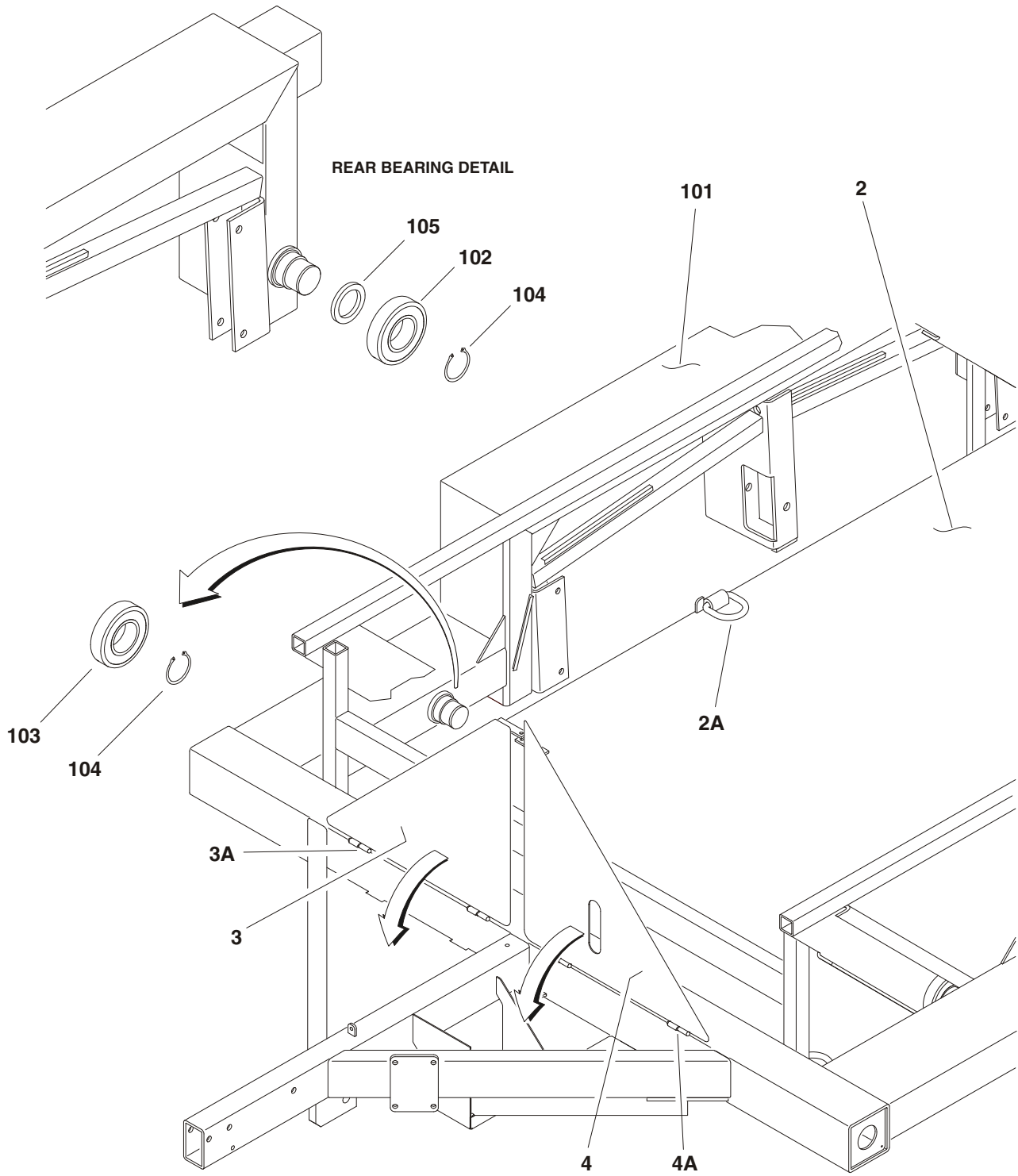
SECTION 1 PARTS

FIGURE 1-9. DECK LATCH INSTALLATION

ITEM #	PART NUMBER	QTY.	DESCRIPTION	REV.
		Ref.	DECK LATCH INSTALLATION (JLG & PREMCO BUILT MODELS)	
	0273228	Ref.	Model 248	C
	0273682	Ref.	Model 248 Gate Ready	B
	0273233	Ref.	Model UT28	B
1 to 2	Not Used			
3	80330	1	Pin, Roll	
4	Not Used			
5	2940156	1	Latch with Handle	
6 to 10	Not Used			
11		1	Spring, Latch Options:	
	71807	1	Prior to S/N 0050001331	
	80510	1	S/N 0050001331 to Present	
12	71701	1	Grip, Handle	
		Ref.	DECK LATCH INSTALLATION (JLG & PREMCO BUILT MODELS)	
	0273015	Ref.	Models EC10-EC14, 7610-7616 & UT610-UT614	E
		Ref.	Models 449 & UT49	
	0273345	Ref.	Prior to S/N 0050003037	D
	0273015	Ref.	S/N 0050003037 to Present	E
		Ref.	Models 4610 & UT410	
	0273352	Ref.	Prior to S/N 0050003037	C
	0273015	Ref.	S/N 0050003037 to Present	E
	0273285	Ref.	Models 1012-1014 & UT912-UT914	E
101	71807	1	Spring	
102	27363	1	Angle	
103	27418	1	Latch	
104 to 110	Not Used			
111	0641626	1	Bolt 3/8in-16NCx 3-1/4in	
112	80022	1	Bolt 3/8in-16NCx 1in	
113	80130	1	Nut 3/8in-16NC	
114	80231	1	Lockwasher 3/8in	
		Ref.	DECK LATCH INSTALLATION (PREMCO BUILT MODELS)	
201	27406	1	Latch	
202	71701	1	Grip, Handle	
203	80510	1	Spring	
204	80022	1	Bolt	
205	25406	1	Pin, Clevis	
206	80322	1	Pin, Cotter	
		Ref.	DECK LATCH INSTALLATION (PREMCO BUILT MODELS)	
301	25313	1	Latch	
302	25406	1	Pin, Clevis	
303	80322	1	Pin, Cotter	

SECTION 1 PARTS

FIGURE 1-10. BEARING, FRAME & DECK INSTALLATIONS



SECTION 1 PARTS

FIGURE 1-10. BEARING, FRAME & DECK INSTALLATIONS

ITEM #	PART NUMBER	QTY.	DESCRIPTION	REV.
		Ref.	FRAME AND DECK ASSEMBLIES	
		Ref.	Enclosed Models:	
	0273167	Ref.	Model EC10	C
	0273168	Ref.	Model EC12	
	0273169	Ref.	Model EC14	
	1001116301	Ref.	Model EC14 with S/Ns 0050004524-4526	A
		Ref.	Flatbed Models:	
	0273228	Ref.	Model 248	A
	0273682	Ref.	Model 248 Gate Ready	
	0273229	Ref.	Model 449	B
	0273231	Ref.	Model 1012	B
	0273481	Ref.	Model 1012 with Heavy Duty Deck	B
	0273514	Ref.	Model 1012 Gate Ready	B
	0273232	Ref.	Model 1014	B
	0275089	Ref.	Model 1014 with Heavy Duty Deck & Long Ramp	B
	0273230	Ref.	Model 4610	B
	0273163	Ref.	Model 7610	C
	0273164	Ref.	Model 7612	B
	0273165	Ref.	Model 7614	B
	0273166	Ref.	Model 7616	B
		Ref.	Utility Models:	
	0273233	Ref.	Model UT28	
	0273234	Ref.	Model UT49	
	0273235	Ref.	Model UT410	A
	0273167	Ref.	Model UT610	C
	0273168	Ref.	Model UT612	
	0273169	Ref.	Model UT614	
	0273236	Ref.	Model UT912	
	0273237	Ref.	Model UT914	
	0273694	Ref.	Model UT914 with Long Ramp	
	0275089	Ref.	Model UT914 with Heavy Duty Deck & Long Ramp	B
1	Not Used			
2		1	Deck Options:	
		Ref.	Enclosed Models:	
	4846887	Ref.	Model EC10 (Prior to S/N 0050003492)	
	1001094142	Ref.	Model EC10 (S/N 0050003492 to Present)	
	4846888	Ref.	Model EC12	
	4846889	Ref.	Model EC14	
		Ref.	Flatbed Models:	
	34401	Ref.	Model 248	
	1730006	Ref.	Model 248 Gate Ready	
	35400	Ref.	Model 449	
	36404	Ref.	Model 1012	
	1730002	Ref.	Model 1012 with Heavy Duty Deck	
	1730004	Ref.	Model 1012 Gate Ready	
	37401	Ref.	Model 1014	
	1730009	Ref.	Model 1014 with Heavy Duty Deck & Long Ramp	
	27402	Ref.	Model 4610	

SECTION 1 PARTS

FIGURE 1-10. BEARING, FRAME & DECK INSTALLATIONS (CONTINUED)

ITEM #	PART NUMBER	QTY.	DESCRIPTION	REV.
		1	Deck Options (cont'd):	
		Ref.	Flatbed Models (cont'd):	
	28402	Ref.	Model 7610 (Prior to S/N 0050003492)	
	1001094141	Ref.	Model 7610 (S/N 0050003492 to Present)	
	30401	Ref.	Model 7612	
	33403	Ref.	Model 7614	
	38403	Ref.	Model 7616	
		Ref.	Utility Models:	
	4846903	Ref.	Model UT28	
	4846902	Ref.	Model UT49	
	4846904	Ref.	Model UT410	
	4846887	Ref.	Model UT610 (Prior to S/N 0050003492)	
	1001094142	Ref.	Model UT610 (S/N 0050003492 to Present)	
	4846888	Ref.	Model UT612	
	4846889	Ref.	Model UT614	
	4846898	Ref.	Model UT912	
	4846899	Ref.	Model UT914	
	1730007	Ref.	Model UT914 with Long Ramp	
	1730008	Ref.	Model UT914 with Heavy Duty Deck & Long Ramp	
2A	70301	6	D-Ring	
3	27403	1	Lid (Right Side/Without Slot) (Note: Not Required on Models 248 & UT28)	
3A	70715	2	Hinge (Includes Both Halves) (Welded on Part)	
4	27404	1	Lid (Left Side/With Slot) (Note: Not Required on Models 248 & UT28)	
4A	70715	2	Hinge (Includes Both Halves) (Welded on Part)	
		Ref.	FRAME AND BEARING ASSEMBLY	
		Ref.	Enclosed Models:	
	0273140	Ref.	Model EC10	B
	0273141	Ref.	Model EC12	B
	0273142	Ref.	Model EC14	B
	1001116300	Ref.	Model EC14 with S/Ns 0050004524-4526 Only	A
		Ref.	Flatbed Models:	
	0273326	Ref.	Model 248	A
	0273327	Ref.	Model 449	B
	0273294	Ref.	Model 1012	B
	0273295	Ref.	Model 1014	B
	0273328	Ref.	Model 4610	B
	0273140	Ref.	Model 7610	B
	0273141	Ref.	Model 7612	B
	0273142	Ref.	Model 7614	B
	0273143	Ref.	Model 7616	B
		Ref.	Utility Models:	
	0273326	Ref.	Model UT28	A
	0273327	Ref.	Model UT49	B
	0273328	Ref.	Model UT410	B
	0273140	Ref.	Models UT610-UT614	B
	0273294	Ref.	Model UT912	B
	0273295	Ref.	Model UT914	B

SECTION 1 PARTS

FIGURE 1-10. BEARING, FRAME & DECK INSTALLATIONS (CONTINUED)

ITEM #	PART NUMBER	QTY.	DESCRIPTION	REV.
101		1	Frame Options: Enclosed Models: 28401 Model EC10 (Prior to S/N 0050003492) 1001094149 Model EC10 (S/N 0050003492 to Present) 4846856 Model EC12 4846857 Model EC14 1001116299 Model EC14 with S/Ns 0050004524-4526 Only Flatbed Models: 34405 Model 248 35401 Model 449 36407 Model 1012 37404 Model 1014 27401 Model 4610 28401 Model 7610 (Prior to S/N 0050003492) 1001094149 Model 7610 (S/N 0050003492 to Present) 4846856 Model 7612 4846857 Model 7614 38400 Model 7616 Utility Models: 34405 Model UT28 35401 Model UT49 27401 Model UT410 28401 Model UT610-UT614 (Prior to S/N 0050003492) 1001094149 Model UT610-UT614 (S/N 0050003492 to Present) 36407 Model UT912 37404 Model UT914	
102		2	Bearing (Rear) Options: Enclosed Models: 28502 Model EC10-EC14 Flatbed Models: 70114 Model 248 28502 Model 449 36500 Model 1012-1014 28502 Model 4610 28502 Model 7610-7616 Utility Models: 70114 Model UT28 28502 Model UT49 28502 Model UT410 28502 Models UT610-UT614 36500 Model UT912-UT914	
103		2	Bearing (Front) Options: Enclosed Models: 70114 Model EC10-EC14 Flatbed Models: 70114 Model 248 70114 Model 449 70117 Model 1012-1014 70114 Model 4610	

SECTION 1 PARTS

FIGURE 1-10. BEARING, FRAME & DECK INSTALLATIONS (CONTINUED)

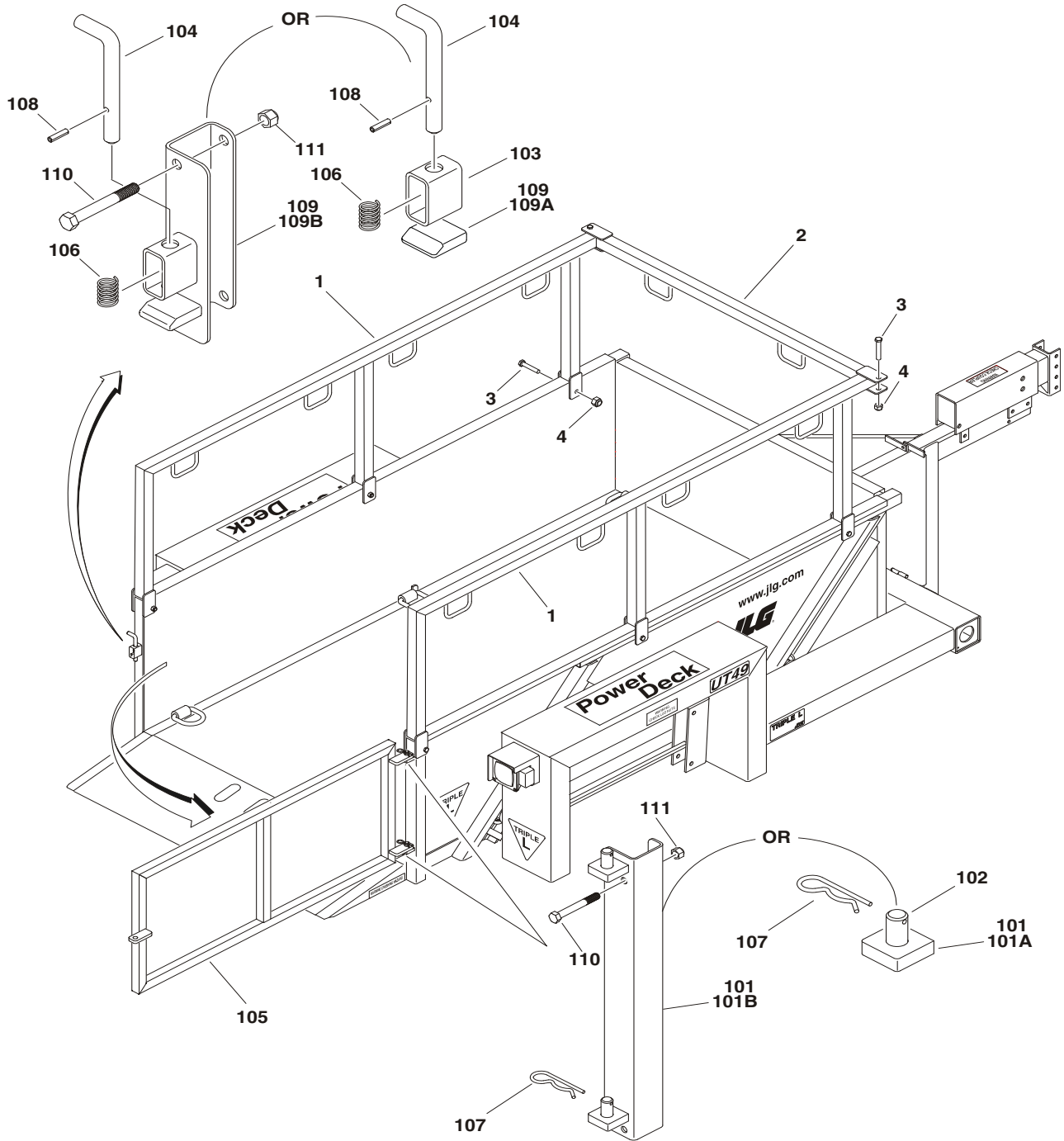
ITEM #	PART NUMBER	QTY.	DESCRIPTION	REV.
103 (cont'd)	70114	2	Model 7610-7616 Bearing (Front) Options: Utility Models:	
	70114		Model UT28	
	70114		Model UT49	
	70114		Model UT410	
	70114		Models UT610-UT614	
	70117		Model UT912-UT914	
104	71809	4	Ring, Retaining	
105		A/R	Spacer, Bearing	
	28207		Enclosed Models:	
	Not Required		Model EC10-EC14 (Prior to S/N 0050003492)	
			Model EC10-EC14 (S/N 0050003492 to Present)	
	Not Required		Flatbed Models:	
	28207		Model 248	
	36208		Model 449 (Prior to S/N 0050003492)	
	28207		Model 1012-1014 (Prior to S/N 0050003492)	
	28207		Model 4610 (Prior to S/N 0050003492)	
	28207		Model 7610-7616 (Prior to S/N 0050003492)	
	Not Required		Utility Models:	
	28207		Model UT28	
	28207		Model UT49 (Prior to S/N 0050003492)	
	28207		Model UT410 (Prior to S/N 0050003492)	
	28207		Models UT610-UT614 (Prior to S/N 0050003492)	
	36208		Model UT912-UT914 (Prior to S/N 0050003492)	

FIGURE 1-10. BEARING, FRAME & DECK INSTALLATIONS (CONTINUED)

ITEM #	PART NUMBER	QTY.	DESCRIPTION	REV.

SECTION 1 PARTS

FIGURE 1-11. RAIL & TAILGATE INSTALLATIONS (OPTIONAL) (UT MODELS ONLY)



SECTION 1 PARTS

FIGURE 1-11. RAIL & TAILGATE INSTALLATIONS (OPTIONAL) (UT MODELS ONLY)

ITEM #	PART NUMBER	QTY.	DESCRIPTION	REV.
		Ref.	RAIL INSTALLATIONS (OPTIONAL)	
		Ref.	12in Height Rails:	
	41112	Ref.	Model UT28	B
	41112	Ref.	Model UT49	B
	43112	Ref.	Model UT410	B
	43112	Ref.	Model UT610	B
	44111	Ref.	Model UT612	B
	45112	Ref.	Model UT614	B
	46112	Ref.	Model UT912	B
	47111	Ref.	Model UT914	B
		Ref.	24in Height Rails:	
	41111	Ref.	Model UT28	B
	41111	Ref.	Model UT49	B
	43111	Ref.	Model UT410	B
	43111	Ref.	Model UT610	B
	44112	Ref.	Model UT612	B
	45111	Ref.	Model UT614	B
	46111	Ref.	Model UT912	B
	47112	Ref.	Model UT914	B
1		2	Side Rail Weldment Options:	
			12in Height Rails:	
	41405		Model UT28	
	41405		Model UT49	
	43404		Model UT410	
	43404		Model UT610	
	44407		Model UT612	
	45407		Model UT614	
	44407		Model UT912	
	45407		Model UT914	
			24in Height Rails:	
	41403		Model UT28	
	41403		Model UT49	
	43403		Model UT410	
	43403		Model UT610	
	44406		Model UT612	
	45406		Model UT614	
	44406		Model UT912	
	45406		Model UT914	
2		1	Front Rail Weldment Options:	
	41404		Model UT28	
	41404		Model UT49	
	27413		Model UT410	
	27413		Models UT610	
	27413		Models UT612	
	27413		Model UT614	
	46403		Model UT912	
	46403		Model UT914	
3	0641626	8	Bolt 3/8in-16NC x 3 1/4"	
4	80131	8	Locknut 3/8in-16NC	

SECTION 1 PARTS

FIGURE 1-11. RAIL & TAILGATE INSTALLATIONS (OPTIONAL) (UT MODELS ONLY)

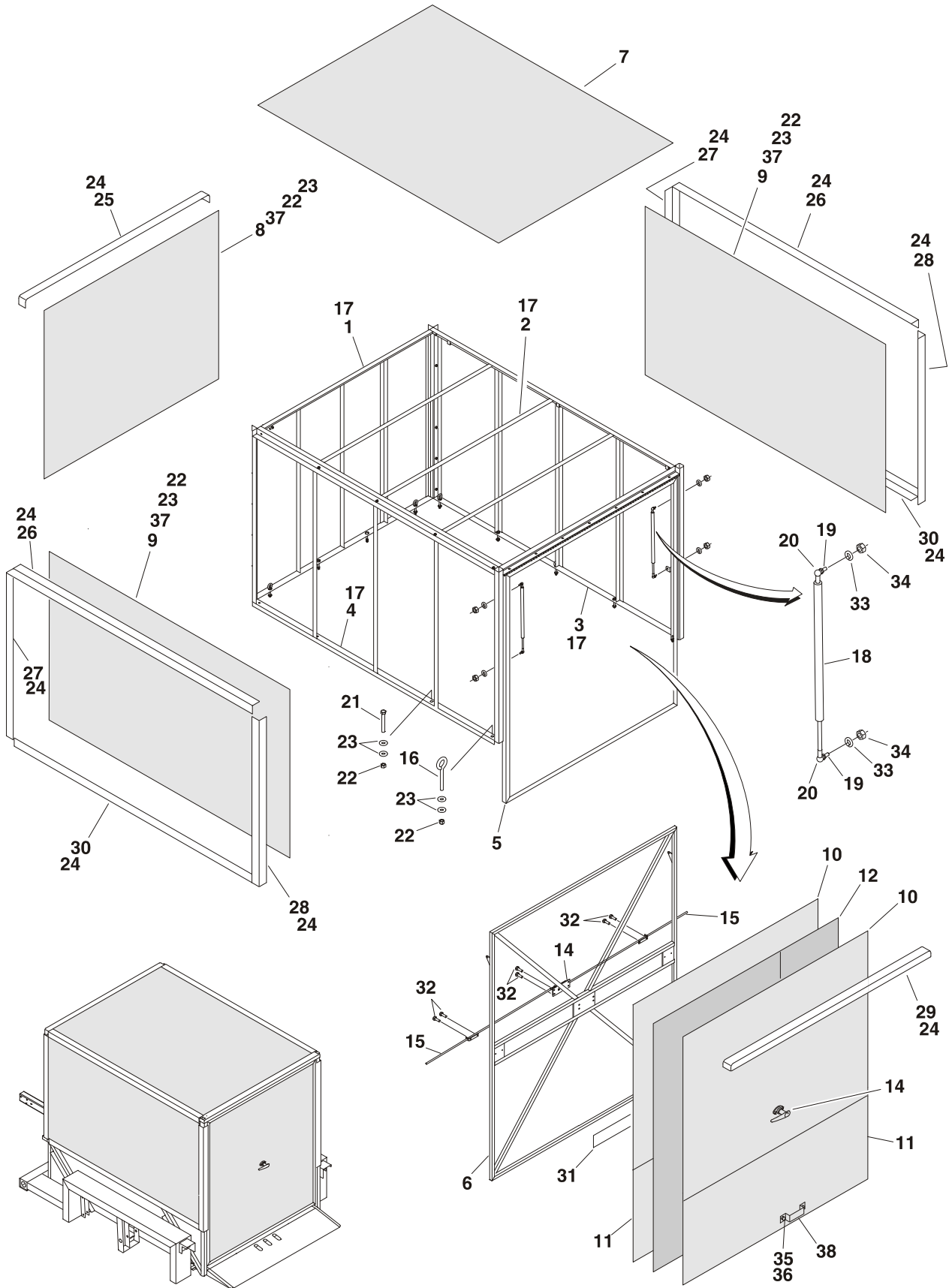
ITEM #	PART NUMBER	QTY.	DESCRIPTION	REV.
		Ref.	TAILGATE INSTALLATION	
	0240056	Ref.	Models UT28 &UT49 (Prior to S/N 0050003388)	B
	1001094360	Ref.	Models UT28 &UT49 (S/N 0050003388 to Present)	A
	0273017	Ref.	Models UT410, UT610-UT614 (Prior to S/N 0050003388)	B
	1001094267	Ref.	Models UT410, UT610-UT614 (S/N 0050003388 to Present)	A
	0273016	Ref.	Models UT912-UT914 (Prior to S/N 0050003388)	B
	1001094266	Ref.	Models UT912-UT914 (S/N 0050003388 to Present)	A
101		A/R	Hinge Options:	
101A	27334	2	Tab, Hinge (Welded on Part) (Prior to S/N 0050003388)	
101B	1001094221	1	Hinge (S/N 0050003388 to Present)	
102	27335	2	Pin, Hinge (Prior to S/N 0050003388)	
103	27374	1	Tube, Latch (Welded on Part (Prior to S/N 0050003388)	
104	27375	1	Pin, Latch	
105			Gate Options:	
	3380500		Models UT28 &UT49	
	27414		Models UT410, UT610-UT614	
	36402		Models UT912-UT914	
106	71805	1	Spring	
107	80325	2	Hairpin	
108	80332	1	Rollpin	
109		1	Guide, Latch Options:	
109A	2940154		Prior to S/N 0050003388 (Welded on Part)	
109B	1001094220		S/N 0050003388 to Present	
110	80038	4	Bolt 3/8in-16NC x 1in (S/N 0050003388 to Present)	
111	80131	4	Locknut, Nylon 3/8in-16NC (S/N 0050003388 to Present)	

FIGURE 1-11. RAIL & TAILGATE INSTALLATIONS (OPTIONAL) (UT MODELS ONLY)

ITEM #	PART NUMBER	QTY.	DESCRIPTION	REV.

SECTION 1 PARTS

FIGURE 1-12. ENCLOSURE INSTALLATIONS - MODELS EC10, EC12 & EC14 ONLY (PRIOR TO S/N 0050002838)



SECTION 1 PARTS

FIGURE 1-12. ENCLOSURE INSTALLATIONS - MODELS EC10, EC12 & EC14 ONLY (PRIOR TO S/N 0050002838)

ITEM #	PART NUMBER	QTY.	DESCRIPTION	REV.
		Ref.	ENCLOSURE INSTALLATION	
	48100	Ref.	EC10	
	51100	Ref.	EC12	
	52100	Ref.	EC14	
1	51400	1	Panel, Front	
2		1	Panel, Roof Options:	
	48401		EC10	
	51401		EC12	
	52401		EC14	
3		1	Panel, Right Side Options:	
	48402		EC10	
	51402		EC12	
	52402		EC14	
4		1	Panel, Left Side Options:	
	48403		EC10	
	51403		EC12	
	52403		EC14	
5	51404	1	Outer Door Weldment	
	51601	1	Hinge	
6	51405	1	Inner Door Weldment	
	4240179	1	Pull Down Strap	
7		1	Skin, Roof Options:	
	48316		EC10	
	51316		EC12	
	52316		EC14	
8	51317	1	Skin, Front Panel	
9		2	Skin, Side Options:	
	48318		EC10	
	51318		EC12	
	52318		EC14	
10	51319	2	Skin, Upper Door	
11	51320	1	Skin, Lower Door	
12	51600	A/R	Insulation	
13	Not Used			
14	51602	1	Handle, Latch	
15	51603	1	Rod, Lock	
	4071130	2	Shim, Latch	
16	51604	8	Eyebolt	
17	51605	A/R	Tape	
18	51606	2	Gas Spring	
19	51607	4	Stud, Ball	
20	51608	4	Fitting, Gas Spring End	
21	80038	A/R	Bolt 3/8in-16NC x 3in	
		6	EC10	
		8	EC12	
		8	EC14	

SECTION 1 PARTS

FIGURE 1-12. ENCLOSURE INSTALLATIONS - MODELS EC10, EC12 & EC14 ONLY (PRIOR TO S/N 0050002838)

ITEM #	PART NUMBER	QTY.	DESCRIPTION	REV.
22	80131	A/R	Locknut 3/8in-16NC	
		41	EC10	
		45	EC12	
		49	EC14	
23	80230	A/R	Flatwasher 3/8in	
		32	EC10	
		36	EC12	
		40	EC14	
24	80413	A/R	Screw, Self Tapping	
		48	EC10	
		52	EC12	
		52	EC14	
25	51200	1	Trim, Front Cap	
26	48201	2	Trim, Side Top Options:	
		51201	EC10	
		52201	EC12	
		52201	EC14	
27	51202	2	Trim, Front Vertical	
28	51203	2	Trim, Rear Vertical	
29	51204	1	Trim, Rear Cap	
30	51205	2	Trim, Side Bottom	
31	51206	1	Trim, Door Center	
32	80002	14	Bolt 1/4in-20NC x 3/4in	
33	80221	4	Lockwasher 5/16in	
34	80120	4	Nut 5/16in-18NC	
35	80006	2	Bolt 1/4in-20NC x 2in	
36	80110	2	Nut 1/4in-20NC	
37	80022	A/R	Bolt 3/8in-16NC x 1in	
		27	EC10	
		29	EC12	
		31	EC14	
38	2560207	1	Handle	
	2410025	1	----- Door Assembly (Includes Items 5, 6, 10, 11, 12, 14, 15, 17, 31, 32, 35, 36 & 38)	

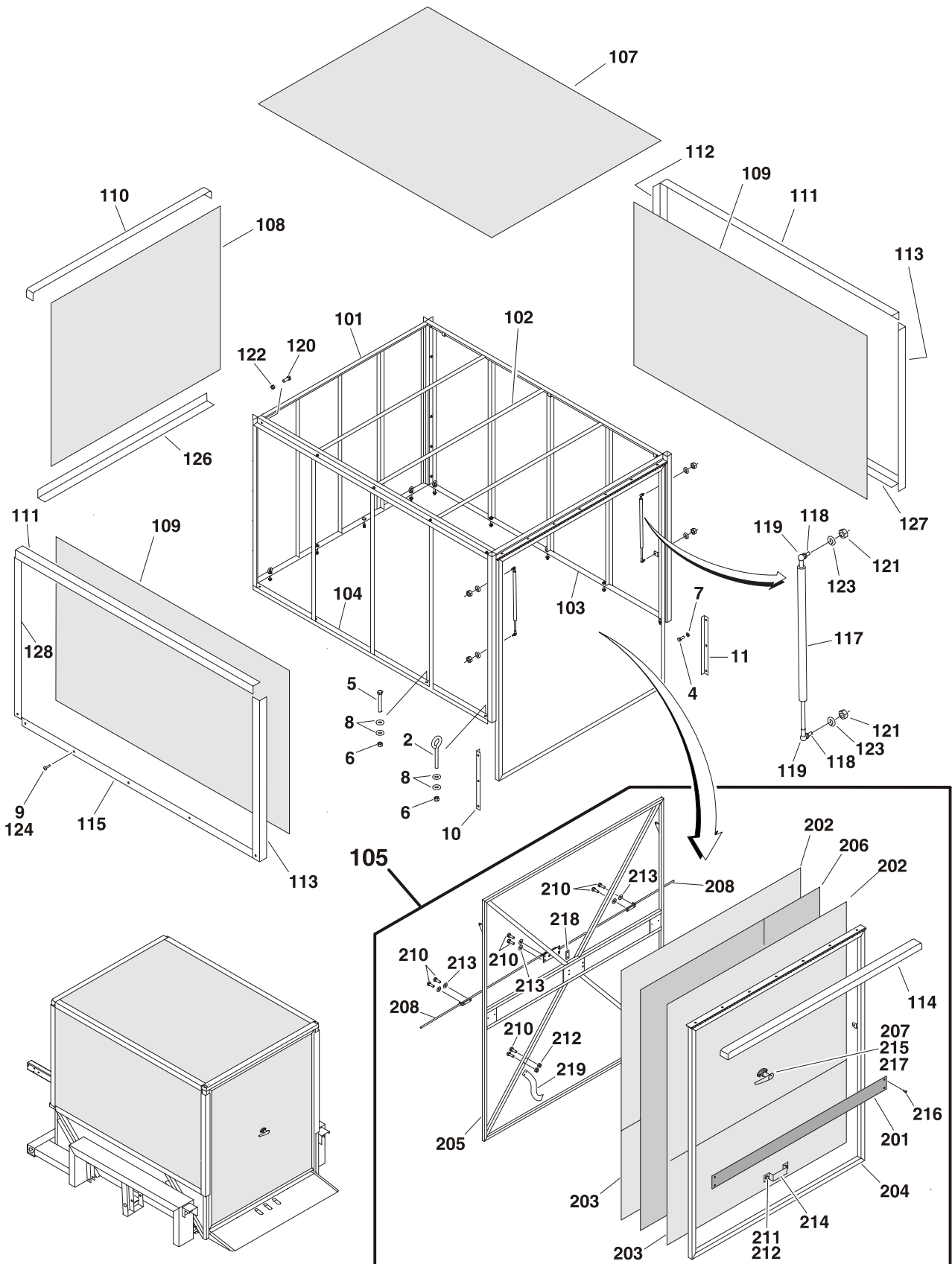
SECTION 1 PARTS

FIGURE 1-12. ENCLOSURE INSTALLATIONS - MODELS EC10, EC12 & EC14 ONLY (PRIOR TO S/N 0050002838)

ITEM #	PART NUMBER	QTY.	DESCRIPTION	REV.

SECTION 1 PARTS

FIGURE 1-13. ENCLOSURE INSTALLATIONS - MODELS EC10, EC12 & EC14 ONLY (S/N 0050002838 TO PRESENT)



SECTION 1 PARTS

FIGURE 1-13. ENCLOSURE INSTALLATIONS - MODELS EC10, EC12 & EC14 ONLY (S/N 0050002838 TO PRESENT)

ITEM #	PART NUMBER	QTY.	DESCRIPTION	REV.
		Ref.	ENCLOSURE INSTALLATION	
	0275756	Ref.	EC10	A
	0275757	Ref.	EC12	A
	0275758	Ref.	EC14	A
1	Not Used			
2	51604	A/R	Eyebolt	
		8	EC10 & EC12	
		10	EC14	
3	71954	2	Connector, Butt (Not Shown)	
4	80002	6	Bolt 1/4in-20NC x 3/4in	
5	80038	A/R	Bolt 3/8in-16NC x 3in	
		6	EC10	
		8	EC12 & EC14	
6	80131	A/R	Locknut 3/8in-16NC	
		14	EC10	
		16	EC12	
		18	EC14	
7	80210	6	Lockwasher 1/4in	
8	80230	A/R	Washer 3/8in	
		28	EC10	
		32	EC12	
		36	EC14	
9	80413	17	Screw, Self-Tapping	
10	4220311	1	Stop, LH Door	
11	4220312	1	Stop, RH Door	
12	0100092	A/R	Adhesive, Black Silicone (Not Shown - Use to seal inside corners of deck)	
		Ref.	ENCLOSURE ASSEMBLY	
	0275759	Ref.	EC10	C
	0275760	Ref.	EC12	C
	0275761	Ref.	EC14	D
101	51400	1	Frame, Front	
102		1	Frame, Roof Options:	
	48401		EC10	
	51401		EC12	
	52401		EC14	
103		1	Frame, Right Side Options:	
	48402		EC10	
	51402		EC12	
	52402		EC14	
104		1	Frame, Left Side Options:	
	48403		EC10	
	51403		EC12	
	52403		EC14	
105	2410025	1	Door Assembly, Rear (see Items 201 - 219 for Breakdown)	

SECTION 1 PARTS

FIGURE 1-13. ENCLOSURE INSTALLATIONS - MODELS EC10, EC12 & EC14 ONLY (S/N 0050002838 TO PRESENT)

ITEM #	PART NUMBER	QTY.	DESCRIPTION	REV.
106	Not Used			
107		1	Skin, Roof Options:	
	48316		EC10	
	51316		EC12	
	52316		EC14	
108	51317	1	Skin, Front Panel	
109		2	Skin, Side Options:	
	48318		EC10	
	51318		EC12	
	52318		EC14	
110	51200	1	Trim, Front Cap	
111		2	Trim, Side Top Options:	
	48201		EC10	
	51201		EC12	
	52201		EC14	
112	51202	1	Trim, LF Vertical	
113	51203	2	Trim, Rear Vertical	
114	51204	1	Trim, Rear Cap	
115		1	Trim, LH Bottom Options:	
	48205		EC10	
	51205		EC12	
	52205		EC14	
116	51605	A/R	Tape, Double-Sided (Not Shown - Use to attach panels and trim)	
117	51606	2	Gas Spring	
118	51607	4	Stud, Ball	
119	51608	4	Fitting, Gas Spring End	
120	80022	A/R	Bolt 3/8in-16NC x 1in	
		36	EC10	
		38	EC12	
		40	EC14	
121	80120	4	Nut 5/16in-18NC	
122	80131	A/R	Locknut 3/8in-16NC	
		41	EC10	
		45	EC12	
		49	EC14	
123	80221	4	Lockwasher 5/16in	
124	80413	26	Screw, Self Tapping	
125	Not Used			
126	3577090	1	Trim, Front Bottom	
127		1	Trim, RH Bottom Options:	
	3577097		EC10	
	3577122		EC12	
	3577127		EC14	
128	3577098	1	Trim, RF Vertical	
129 to 138	Not Used			
139	0100091	A/R	Adhesive, Silver Silicone (Not Shown - Use around all trim pieces)	

SECTION 1 PARTS

FIGURE 1-13. ENCLOSURE INSTALLATIONS - MODELS EC10, EC12 & EC14 ONLY (S/N 0050002838 TO PRESENT)

ITEM #	PART NUMBER	QTY.	DESCRIPTION	REV.
140	3380760	1	Skin, Roof Rear (EC14 Only - Not Shown) (Prior to S/N 0050004062)	
141	3380761	2	Skin, Side Rear (EC14 Only - Not Shown) (Prior to S/N 0050004062)	
	2410025	Ref.	REAR DOOR ASSEMBLY	C
201	51206	1	Trim, Door Center	
202	51319	2	Skin, Upper Door	
203	51320	2	Skin, Lower Door	
204	51404	1	Outer Door Weldment	
	51601	1	Hinge	
205	51405	1	Inner Door Weldment	
206	51600	A/R	Insulation (4ft x 8ft)	
207	51602	1	Handle, Latch	
208	51603	1	Rod Assembly, Lock	
209	51605	A/R	Tape, Double-Sided	
210	80002	10	Bolt 1/4in-20NC x 3/4in	
211	80006	2	Bolt 1/4in-20NC x 2in	
212	80110	4	Locknut 1/4in-20NC	
213	80210	8	Lockwasher 1/4in	
214	2560207	1	Handle	
215	8310085	2	Locknut #10-24NC	
216	3900390	4	Screw, Self-Tapping	
217	3900391	2	Screw, Countersunk	
218	4071130	2	Shim, Latch	
219	4240179	1	Pull Down Strap	

SECTION 1 PARTS

FIGURE 1-14. LIGHTS INSTALLATION

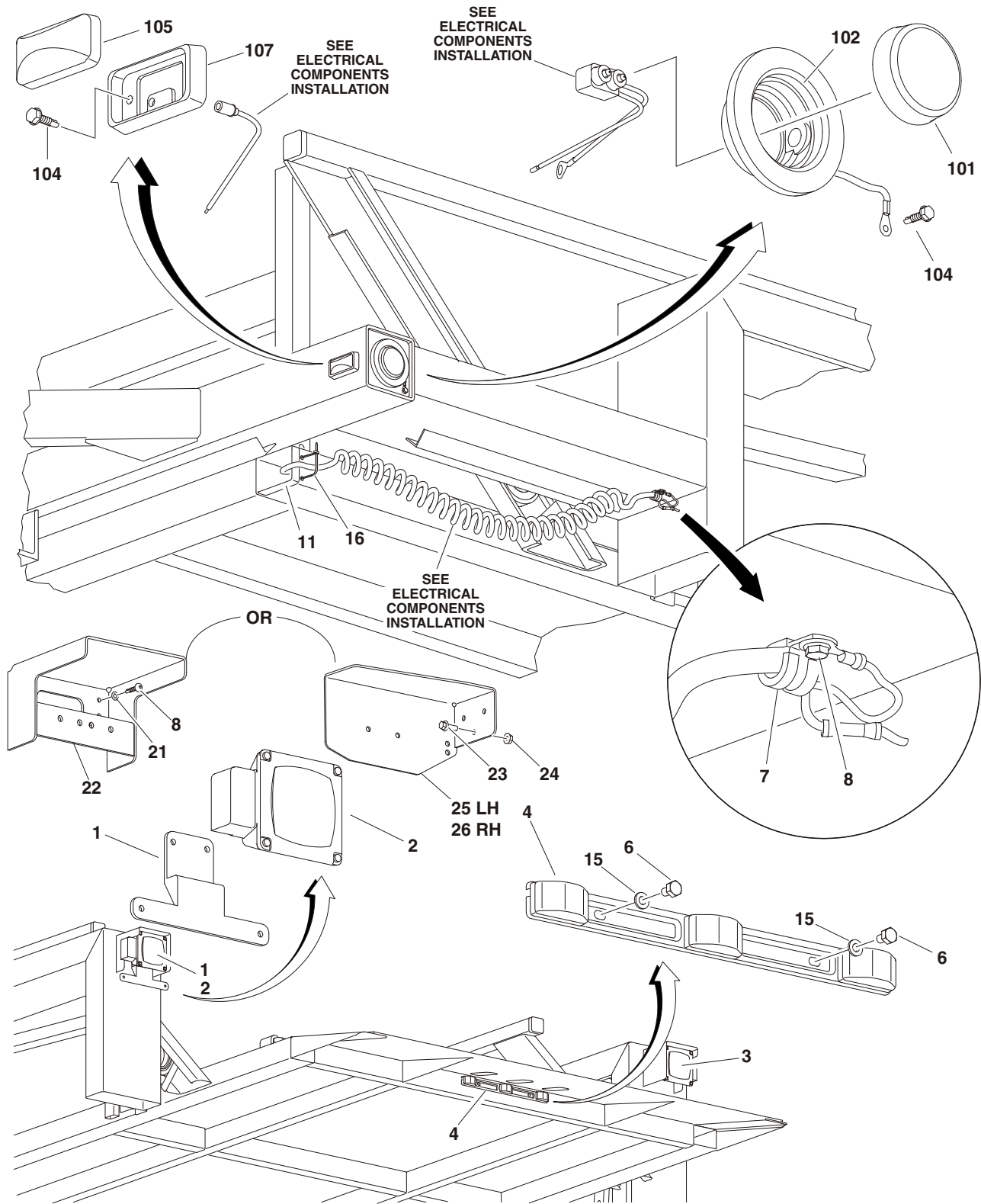


FIGURE 1-14. LIGHTS INSTALLATION

ITEM #	PART NUMBER	QTY.	DESCRIPTION	REV.
		Ref.	TAILLIGHTS AND LICENSE PLATE BRACKET INSTALLATION	
		Ref.	Flatbed Models:	
		Ref.	All Models Except 248 & 449	
	0273013	Ref.	Prior to S/N 050002112	C
	0274795	Ref.	S/N 050002112 to Present	D
		Ref.	Models 248 & 449 Only	
	0273284	Ref.	Prior to S/N 050000873	A
	0273013	Ref.	S/N 050000873 to S/N 0050002112	C
	0274795	Ref.	S/N 050002112 to Present	D
		Ref.	Utility Models:	
		Ref.	All Models Except UT28 & UT49	
	0273013	Ref.	Prior to S/N 050002112	C
	0274795	Ref.	S/N 050002112 to S/N 050003925	D
	1001100889	Ref.	S/N 050003925 to Present	A
		Ref.	Models UT28 & UT49 Only	
	0273284	Ref.	Prior to S/N 050000873	A
	0273013	Ref.	S/N 050000873 to S/N 0050002112	C
	0274795	Ref.	S/N 050002112 to Present	D
		Ref.	Enclosed Models:	
	0274771	Ref.	S/N 050001864 to S/N 0050002112	A
	0274797	Ref.	S/N 050002112 to S/N 050003925	F
	1001100890	Ref.	S/N 050003925 to Present	A
1	71101	1	Bracket, License Plate	
2		1	Taillight Assembly with License Plate Light (Left Side)	
			Options:	
	71906		Taillight Prior to S/N 0050002112	
	7026341	1	Bulb, Stop/Turn/Tail Light	
	7026342	1	Bulb, Side Marker Light	
	7026343	1	Lens, Red Taillight	
	7026340	1	Lens, Red Side Marker	
	Use 71906		Lens, Clear License Plate (Not Replaceable)	
	2920200		Taillight S/N 0050002112 to Present	
	Use 2920200	1	Bulb, Stop/Turn/Tail Light	
	Use 2920200	1	Bulb, Side Marker Light	
	70002301	1	Lens, Red Taillight	
	70002302	1	Lens, Red Side Marker	
	Use 2920200		Lens, Clear License Plate (Not Replaceable)	
3		1	Taillight Assembly without License Plate Light (Right Side)	
			Options:	
	71907		Taillight Prior to S/N 0050002112	
	7026341	1	Bulb, Stop/Turn/Tail Light	
	7026342	1	Bulb, Side Marker Light	
	7026343	1	Lens, Red Taillight	
	7026340	1	Lens, Red Side Marker	
	2920199		Taillight S/N 0050002112 to Present	
	Use 2920199	1	Bulb, Stop/Turn/Tail Light	
	Use 2920199	1	Bulb, Side Marker Light	
	70002301	1	Lens, Red Taillight	

SECTION 1 PARTS

FIGURE 1-14. LIGHTS INSTALLATION (CONTINUED)

ITEM #	PART NUMBER	QTY.	DESCRIPTION	REV.
3 (cont'd)	70002302	1	Lens, Red Side Marker	
4		A/R	Clearance Light Assembly Options:	
	Not Required	0	Models 248, 449, UT28 & UT49 Prior to S/N 050000873	
	71110	1	Models 248, 449, UT28 & UT49 S/N 050000873 to 050002112	
	71110	1	All Models Except 248, 449, UT28 & UT49 Prior to S/N 050002112	
	7026345	3	Contact, Wire	
	7026346	3	Contact, Ground	
	7026347	3	Len, Red	
	7026348	3	Base, Housing	
	7026342	3	Bulb	
	2920196	1	All Models Except EC10-EC14 S/N 050002112 to Present	
	2920196	1	Models EC10-EC14 Only S/N 050002112 to S/N 0050002838	
5	Not Used			
6	80000	A/R	Bolt 1/4in-20NC x 3/8in	
7	80630	1	Clamp, Cushioned	
8	80413	A/R	Screw, Self-Tapping	
9 to 10	Not Used			
11	3180014	2.5in/8cm	Flex-Trim	
12 to 14	Not Used			
15	80210	A/R	Lockwasher 1/4in (S/N 0050001911 to Present)	
16	71921	1	Tie Strap (S/N 0050001911 to Present)	
17	70231	6	Base, Clearance Lamp (Not Shown - Enclosed Models Only Prior to S/N 0050002838)	
18	2920197	4	Lamp, Amber Clearance (Not Shown - Enclosed Models Only Prior to S/N 0050002838)	
19	2920212	2	Lamp, Red Clearance (Not Shown - Enclosed Models Only Prior to S/N 0050002838)	
20	2820019	2ft/0.6m	Heat Shrink (Not Shown) (S/N 0050003925 to Present)	
21	4771000	8	Starwasher #10 (All Flatbed Models Only S/N 0050003925 to S/N 0050004102)	
22	1001100833	2	Plate, Tail Light Mount (All Flatbed Models Only S/N 0050003925 to S/N 0050004102)	
23	0791406	6	Screw 1/4in-20NC x 3/4in (All Utility & Enclosed Models Only S/N 0050003925 to Present)	
24	3311408	6	Nut 1/4in-20NC (All Utility & Enclosed Models Only S/N 0050003925 to Present)	
25	1001092253	1	Plate, Light Mount (Left Side) (All Utility & Enclosed Models Only S/N 0050003925 to Present)	
26	1001092254	1	Plate, Light Mount (Right Side) (All Utility & Enclosed Models Only S/N 0050003925 to Present)	
		Ref.	CLEARANCE LIGHTS INSTALLATION	
	0273014	Ref.	Prior to S/N 0050002112	B
	0274796	Ref.	S/N 0050002112 to Present	B
101		2	Light, Round Amber Options:	
	70227		Prior to S/N 0050002112	
	2920198		S/N 0050002112 to Present	

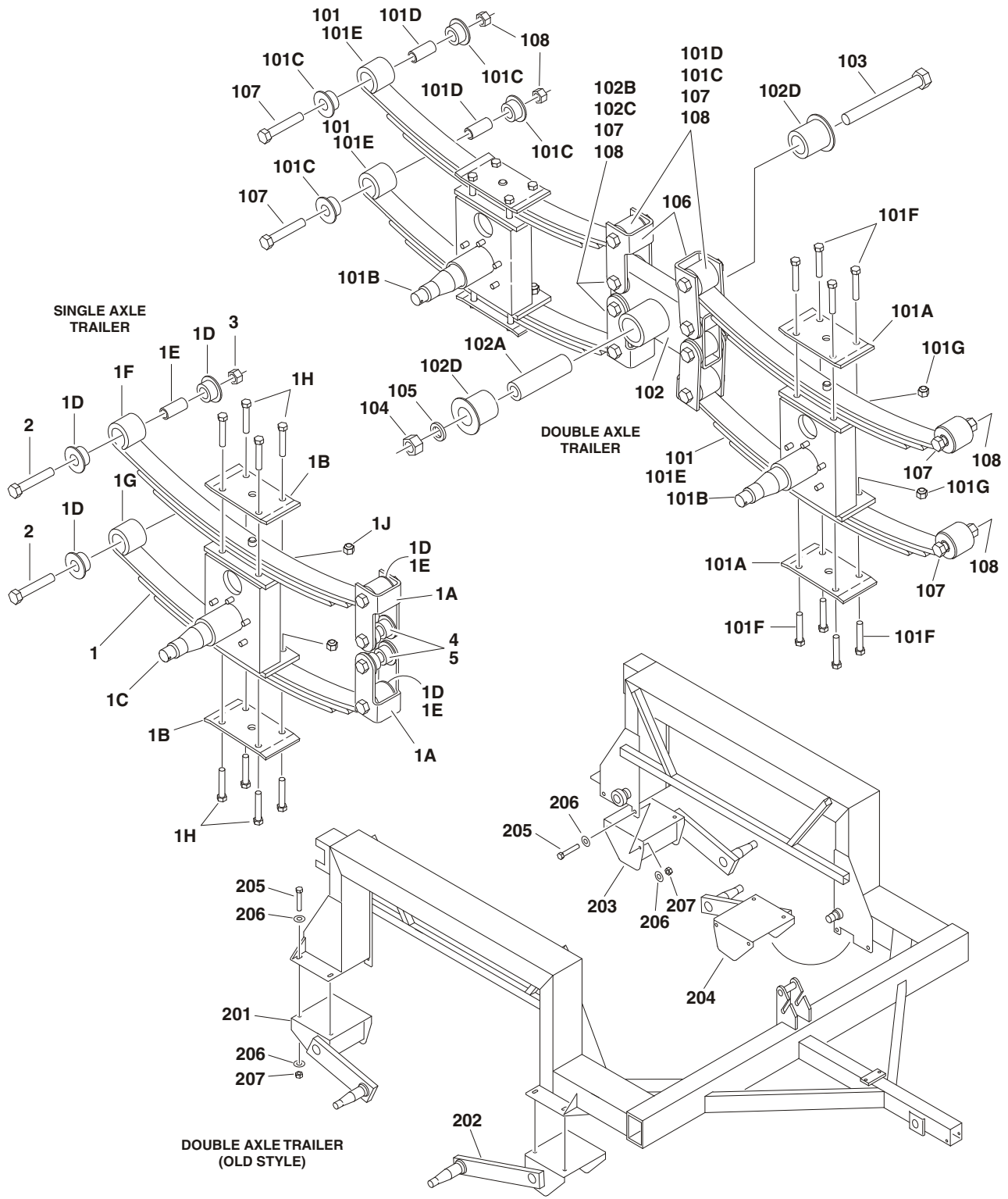
SECTION 1 PARTS

FIGURE 1-14. LIGHTS INSTALLATION (CONTINUED)

ITEM #	PART NUMBER	QTY.	DESCRIPTION	REV.
102	70228	2	Grommet	
103	Not Used			
104	80413	6	Screw, Self-Tapping	
105	70320	2	Light, Amber Clearance Options: Prior to S/N 0050002112	
	2920197		S/N 0050002112 to Present	
106	Not Used			
107	70231	2	Base, Clearance Light	
		Ref.	ENCLOSED TRAILER UPPER CLEARANCE LIGHTS INSTALLATION (S/N 0050002838 TO PRESENT - NOT SHOWN)	
	0275759	Ref.	EC10	C
	0275760	Ref.	EC12	C
	0275761	Ref.	EC14	D
201	70231	6	Base, Clearance Light	
202	80413	12	Screw, Self-Tapping	
203	80000	2	Bolt 1/4in-20NC x 3/8in	
204	80210	2	Lockwasher 1/4in	
205	2920196	1	Bar, Red Clearance Lamp	
206	2920197	4	Lamp, Amber Clearance	
207	2920212	2	Lamp, Red Clearance	

SECTION 1 PARTS

FIGURE 1-15. SUSPENSION INSTALLATIONS (PRIOR TO S/N 0050003895)



SECTION 1 PARTS

FIGURE 1-15. SUSPENSION INSTALLATIONS (PRIOR TO S/N 0050003895)

ITEM #	PART NUMBER	QTY.	DESCRIPTION	REV.
		Ref.	SUSPENSION INSTALLATION - SINGLE AXLE LEAF SPRING	
		Ref.	Flatbed Models:	
	0273329	Ref.	Model 248	C
	0273343	Ref.	Model 449	E
	0273343	Ref.	Model 4610 (Prior to S/N 0050001158)	E
	0274228	Ref.	Model 4610 (S/N 0050001158 to S/N 0050003895)	B
		Ref.	Utility Models:	
	0273329	Ref.	Model UT28	C
	0273343	Ref.	Model UT49	E
	0273343	Ref.	Model UT410 (Prior to S/N 0050001158)	E
	0274228	Ref.	Model UT410 (S/N 0050001158 to S/N 0050003895)	B
1		2	Spring Assembly Options:	
			Flatbed Models:	
	27102		Model 248 Options:	
			Prior to S/N 0050001158	B
	0280180		S/N 0050001158 to S/N 0050003895	C
	0280179		Model 449	D
			Model 4610 Options:	
	0280179		Prior to S/N 0050001158	D
	0280182		S/N 0050001158 to S/N 0050003895	C
			Utility Models:	
	27102		Prior to S/N 0050001158	B
	0280180		S/N 0050001158 to S/N 0050003895	C
	0280179		Model UT49	D
			Model UT410 Options:	
	0280179		Prior to S/N 0050001158	D
	0280182		S/N 0050001158 to S/N 0050003895	C
1A	Use 1001092526	4	Shackle (was p/n 27231 & 3010126)	
1B	27324	4	Plate	
1C		2	Axle Weldment Options:	
	27409		For 0273329 & 27102 Spring Assembly	
	27421		For 0273343 Spring Assembly (Prior to S/N 0050001158)	
	27409		For 0274228 Spring Assembly (S/N 0050001158 to S/N 0050003895)	
1D	27604	16	Bushing, Flanged	
1E	27605	16	Sleeve	
1F	Use 1001098040	2	Spring, 3 Leaf (Top) (was p/n 71813)	
1G		2	Spring, Leaf (Bottom)	
	Use 1001098040		3 Leaf For 0273329 & 27102 Spring Assembly (was p/n 71813)	
	Use 1001098040		4 Leaf For 0273343 Spring Assembly (was p/n 71814)	
1H	80042	16	Bolt 7/16in-14NC x 2-1/2in	
1J	80141	16	Locknut 7/16in-14NC	
2	80074	12	Bolt 5/8in-11NC x 3-1/2in	
3	80164	12	Locknut 5/8in-11NC	
4	27604	8	Bushing, Flanged	
5	27605	4	Sleeve	

SECTION 1 PARTS

FIGURE 1-15. SUSPENSION INSTALLATIONS (PRIOR TO S/N 0050003895) (CONTINUED)

ITEM #	PART NUMBER	QTY.	DESCRIPTION	REV.
		Ref.	SUSPENSION INSTALLATION - TANDEM AXLE LEAF SPRING	
		Ref.	Enclosed Models:	
	0273009	Ref.	Models EC10-EC14	D
		Ref.	Flatbed Models:	
	0273281	Ref.	Models 1012-1014	E
		Ref.	Model 7610:	
	0273009	Ref.	Prior to S/N 0050002707	D
	0275687	Ref.	S/N 0050002707 to S/N 0050003492	B
	0273009	Ref.	S/N 0050003492 to S/N 0050003895	D
	0273009	Ref.	Models 7612-7616	D
		Ref.	Utility Models:	
	0273009	Ref.	Models UT610-UT614	D
	0273281	Ref.	Models UT912-UT914	E
101		4	Spring Assembly Options:	
			Enclosed Models:	
			Models EC10-EC14 Options:	
	27103		Prior to S/N 0050001158	B
	0280180		S/N 0050001158 to S/N 0050003895	C
			Flatbed Models:	
			Models 1012-1014 Options:	
	0273286		Prior to S/N 0050001158	A
	0280181		S/N 0050001158 to S/N 0050002922	C
	0280179		S/N 0050002922 to S/N 0050003895	D
			Models 7610-7616 Options:	
	27103		Prior to S/N 0050001158	B
	0280180		S/N 0050001158 to S/N 0050003895	C
			Utility Models:	
			Models UT610-UT614 Options:	
	27103		Prior to S/N 0050001158	B
	0280180		S/N 0050001158 to S/N 0050003895	C
			Models UT912-UT914 Options:	
	0273286		Prior to S/N 0050001158	A
	0280181		S/N 0050001158 to S/N 0050002922	C
	0280179		S/N 0050002922 to S/N 0050003895	D
101A	27324	8	Plate (2 Per Assembly)	
101B		4	Axle Weldment Options (1 Per Assembly):	
	27409		For 27103/0280180 Spring Assembly	
	27421		For 0273286/0280181 Spring Assembly	
101C	27604	32	Bushing, Flanged	
101D	27605	16	Sleeve	
101E	Use 1001098040	8	Spring, 3 Leaf (was p/n 71813)	
101F	80042	32	Bolt 7/16in-14NC x 2-1/2in	
101G	80141	32	Locknut 7/16in-14NC	
102	See Note	2	Pivot Arm Assembly (was p/n 28501) (Note: When purchasing the Pivot Arm Assembly, order p/n 1001091156 for replacement)	
102A	28307	2	Sleeve	
102B	27604	16	Bushing, Flanged	
102C	27605	8	Sleeve	

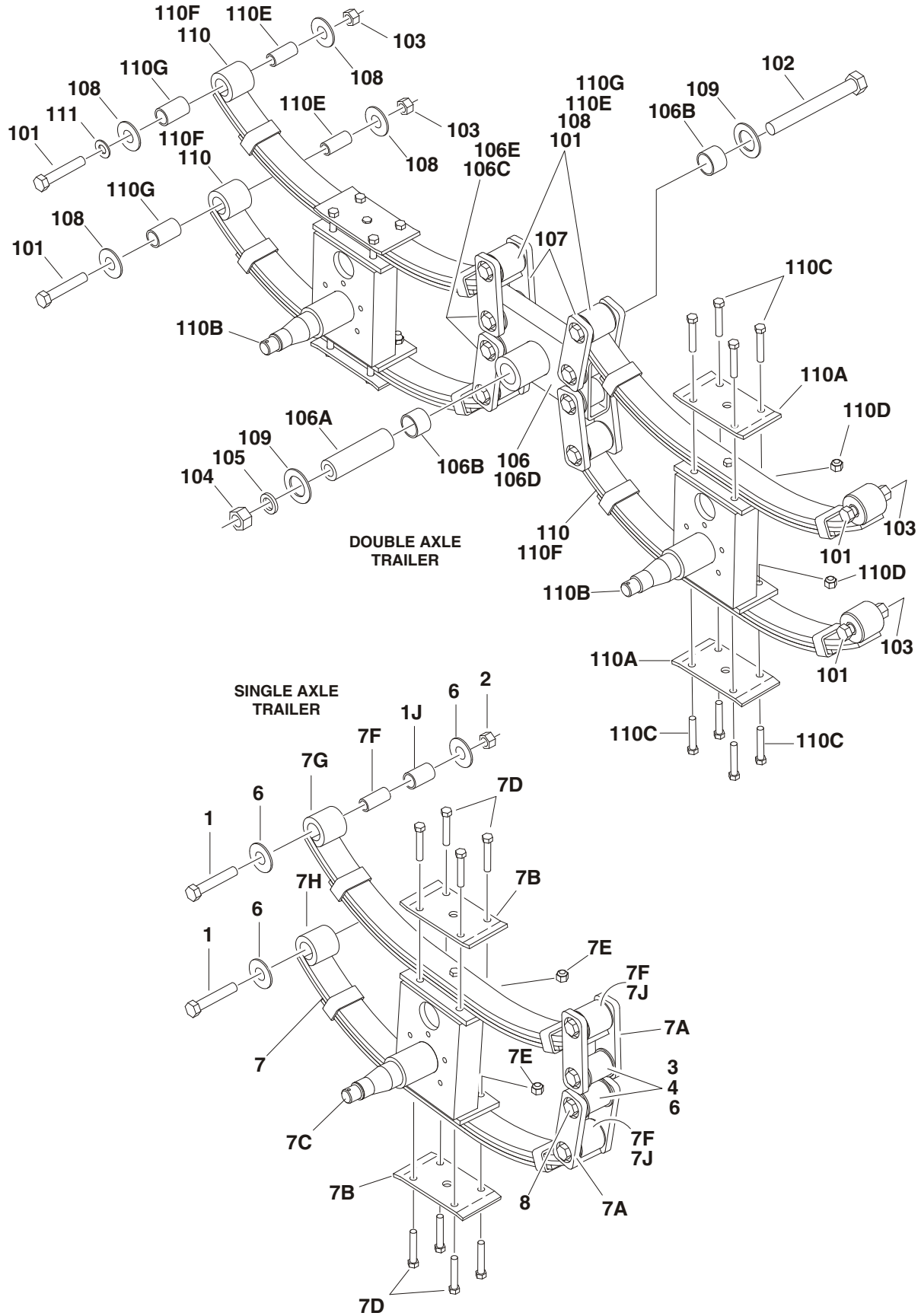
SECTION 1 PARTS

FIGURE 1-15. SUSPENSION INSTALLATIONS (PRIOR TO S/N 0050003895) (CONTINUED)

ITEM #	PART NUMBER	QTY.	DESCRIPTION	REV.
102D	27606	4	Bushing, Flanged	
103	80089	2	Bolt 7/8in-9NC x 7-1/2in	
104	80175	2	Nut 7/8in-9NC	
105	80276	2	Lockwasher 7/8in	
106	Use 1001092526	8	Shackle (was p/n 27231 & 3010126)	
107			Bolt Options:	
	80074	A/R	Bolt 5/8in-11NC x 3-1/2in (Hex Head)	
	3900396	2	Bolt 5/8in-11NC x 3-1/2in (Button Head) (Front Lower on 7610 S/N 050002707 to S/N 0050003895 Only)	
108	80164	24	Locknut 5/8in-11NC	
		Ref.	SUSPENSION INSTALLATION - PREMCO SWING ARM (TANDEM AXLE MODELS WITH SINGLE AXLE BRAKES ONLY)	
		Ref.	Note: No Information available on Single Axle Models or Tandem Axles with Tandem Brakes.	
201	70023	1	Axle - Right Side Rear (Used with Idler Hub)	
202	70021	1	Axle - Right Side Front (Used with Electric Brake)	
203	70024	1	Axle - Left Side Rear (Used with Idler Hub)	
204	70022	1	Axle - Left Side Front (Used with Electric Brake)	
205	See Note	16	Bolt (Note: Not Available - Purchase Locally)	
206	See Note	32	Flatwasher (Note: Not Available - Purchase Locally)	
207	See Note	16	Locknut (Note: Not Available - Purchase Locally)	

SECTION 1 PARTS

FIGURE 1-16. SUSPENSION INSTALLATIONS (S/N 0050003895 TO PRESENT)



SECTION 1 PARTS

FIGURE 1-16. SUSPENSION INSTALLATIONS (S/N 0050003895 TO PRESENT)

ITEM #	PART NUMBER	QTY.	DESCRIPTION	REV.
		Ref.	SUSPENSION INSTALLATION - SINGLE AXLE LEAF SPRING	
		Ref.	Flatbed Models:	
	1001098214	Ref.	Model 248	C
	1001098215	Ref.	Model 449	A
	1001098214	Ref.	Model 4610	C
		Ref.	Utility Models:	
	1001098214	Ref.	Model UT28	C
	1001098215	Ref.	Model UT49	A
	1001098214	Ref.	Model UT410	C
1	80074	12	Bolt 5/8in-11NC x 3-1/2in	
2	80164	12	Locknut 5/8in-11NC	
3	0962292	8	Bearing, Garmax	
4	1001091346	4	Sleeve	
5	Not Used			
6	1001092864	24	Thrustwasher	
7		2	Spring Assembly Options:	
			Flatbed Models:	
	1001098212		Model 248	A
	1001098213		Model 449	A
	1001098212		Model 4610	A
			Utility Models:	
	1001098212		Model UT28	A
	1001098213		Model UT49	A
	1001098212		Model UT410	A
7A	1001092526	4	Shackle	
7B	27324	4	Plate	
7C		2	Axle Weldment Options:	
	27409		For 1001098212 Spring Assembly	
	27421		For 1001098213 Spring Assembly	
7D	80042	16	Bolt 7/16in-14NC x 2-1/2in	
7E	80141	16	Locknut 7/16in-14NC	
7F	1001091346	16	Sleeve	
7G	1001098040	2	Spring, 3 Leaf (Top)	
7H	1001098040	2	Spring, 3 Leaf (Bottom)	
7J	1001098226	8	Tube, Spring Bushing	
8	4712000	2	Flatwasher 5/8in Thin (P/N 1001098214 Suspension S/N 0050003895 to S/N 0050004411 Only)	

SECTION 1 PARTS

FIGURE 1-16. SUSPENSION INSTALLATIONS (S/N 0050003895 TO PRESENT) (CONTINUED)

ITEM #	PART NUMBER	QTY.	DESCRIPTION	REV.
		Ref.	SUSPENSION INSTALLATION - TANDEM AXLE LEAF SPRING	
		Ref.	Enclosed Models:	
	1001098216	Ref.	Models EC10-EC14	B
		Ref.	Flatbed Models:	
	1001098217	Ref.	Models 1012-1014	A
	1001098216	Ref.	Model 7610-7616	B
		Ref.	Utility Models:	
	1001098216	Ref.	Models UT610-UT614	B
	1001098217	Ref.	Models UT912-UT914	A
101	80074	24	Bolt 5/8in-11NC x 3-1/2in	
102	80089	2	Bolt 7/8in-9NC x 7-1/2in	
103	80164	24	Locknut 5/8in-11NC	
104	80175	2	Nut 7/8in-9NC	
105	80276	2	Lockwasher 7/8in	
106	1001091156	2	Pivot Arm Assembly	
106A	28307	2	Sleeve (1 Per Assembly)	
106B	0961948	4	Bearing, Composite	
106C	0962292	16	Bearing, Garmax	
106D	1001091149	1	Coupling, Spring Shackles	
106E	1001091346	8	Sleeve	
107	1001092526	16	Shackle	
108	1001092864	48	Thrustwasher	
109	1001092865	4	Thrustwasher	
110		4	Spring Assembly Options:	
			Enclosed Models:	
	1001098212		Models EC10-EC14	A
			Flatbed Models:	
	1001098213		Models 1012-1014	A
	1001098212		Models 7610-7616	A
			Utility Models:	
	1001098212		Models UT610-UT614	A
	1001098213		Models UT912-UT914	A
110A	27324	8	Plate	
110B		4	Axle Weldment Options:	
	27409		For 1001098212 Spring Assembly	
	27421		For 1001098213 Spring Assembly	
110C	80042	32	Bolt 7/16in-14NC x 2-1/2in	
110D	80141	32	Locknut 7/16in-14NC	
110E	1001091346	16	Sleeve	
110F	1001098040	8	Spring, 3 Leaf	
110G	1001098226	32	Tube, Spring Bushing	
111	4712000	2	Flatwasher 5/8in Thin (For 1001098216 Suspension Installation Only)	

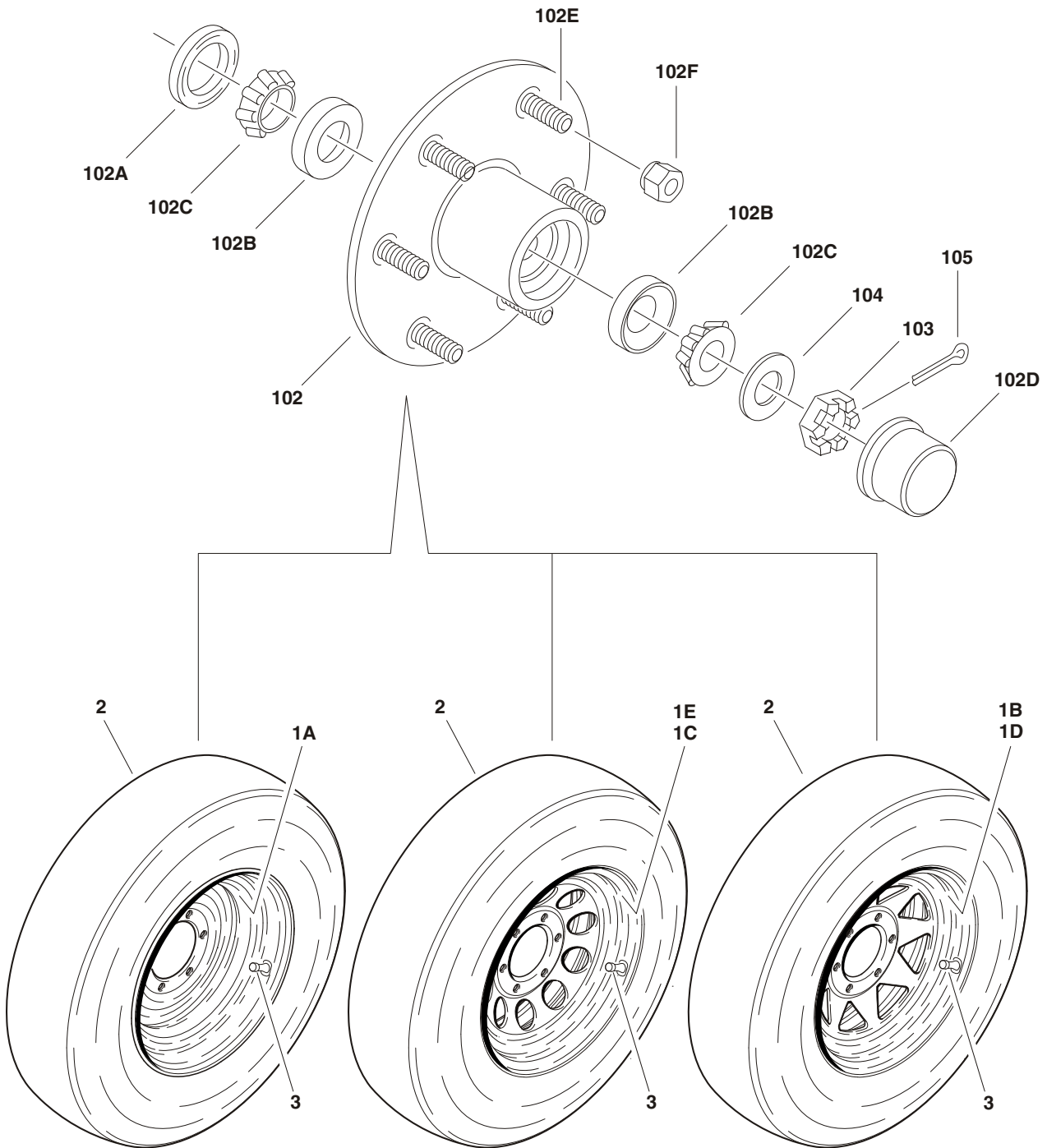
SECTION 1 PARTS

FIGURE 1-16. SUSPENSION INSTALLATIONS (S/N 0050003895 TO PRESENT) (CONTINUED)

ITEM #	PART NUMBER	QTY.	DESCRIPTION	REV.

SECTION 1 PARTS

FIGURE 1-17. HUBS WITHOUT BRAKES AND TIRES & WHEELS INSTALLATIONS



SECTION 1 PARTS

FIGURE 1-17. HUBS WITHOUT BRAKES AND TIRES & WHEELS INSTALLATIONS

ITEM #	PART NUMBER	QTY.	DESCRIPTION	REV.
		Ref.	TIRES AND WHEEL INSTALLATION	
		Ref.	Enclosed Models:	
	0273021	Ref.	15in x 6in (6 Lug) (Models EC10-EC14 with Spoke Wheels)	2
	0273403	Ref.	15in x 6in (6 Lug) (Models EC10-EC14 with Modular Wheels)	2
		Ref.	Flatbed Models:	
	0273021	Ref.	15in x 6in (6 Lug) (Model 248)	2
	0273346	Ref.	16in x 6in (8 Lug) (Model 449)	2
	0273287	Ref.	16in x 6in (8 Lug) (Models 1012-1014)	2
	0273355	Ref.	14.5in x 6in (6 Lug) (Model 4610)	B
	0273021	Ref.	15in x 6in (6 Lug) (Models 7610-7616 with Spoke Wheels)	2
	0273403	Ref.	15in x 6in (6 Lug) (Models 7610-7616 with Modular Wheels)	2
		Ref.	Utility Models:	
	0273021	Ref.	15in x 6in (6 Lug) (Model UT28)	2
	0273346	Ref.	16in x 6in (8 Lug) (Model UT49)	2
	0273355	Ref.	14.5in x 6in (6 Lug) (Model UT410)	B
	0273021	Ref.	15in x 6in (6 Lug) (Models UT610-UT614 with Spoke Wheels)	2
	0273403	Ref.	15in x 6in (6 Lug) (Model UT610-UT614 with Modular Wheels)	2
	0273287	Ref.	16in x 6in (8 Lug) (Models UT912-UT914)	2
		Ref.	Tire and Wheel Assemblies:	
		Ref.	Enclosed Models:	
	See Note	4	15in x 6in (6 Lug) (Models EC10-EC14) (Note: Was p/n 72211 Spoke Wheel - Use 4520385 Modular Wheel as Replacement)	
	Use 4520385	4	15in x 6in (6 Lug) (Models EC10-EC14) (Modular Wheel) (was p/n 72212)	
		Ref.	Flatbed Models:	
	See Note	2	15in x 6in (6 Lug) (Model 248) (Note: Was p/n 72211 Spoke Wheel - Use 4520385 Modular Wheel as Replacement)	
	See Note	2	15in x 6in (6 Lug) (Model 248) (Note: Was p/n 72212 Modular Wheel - Use 4520385 Modular Wheel as Replacement)	
	Use 4520363	2	16in x 6in (8 Lug) (Model 449) (Modular Wheel) (was p/n 72200)	
	Use 4520363	4	16in x 6in (8 Lug) (Models 1012-1014) (Modular Wheel) (was p/n 72200)	
	Use 1001091708	2	14.5in x 6in (6 Lug) (Model 4610) (Black Steel) (was p/n 72213)	
	See Note	4	15in x 6in (6 Lug) (Models 7610-7616) (Note: Was p/n 72211 Spoke Wheel - Use 4520385 Modular Wheel as Replacement)	
	Use 4520385	4	15in x 6in (6 Lug) (Models 7610-7616) (Modular Wheel) (was p/n 72212)	
		Ref.	Utility Series Models:	
	See Note	2	15in x 6in (6 Lug) (Model UT28) (Note: Was p/n 72211 Spoke Wheel - Use 4520385 Modular Wheel as Replacement)	

SECTION 1 PARTS

FIGURE 1-17. HUBS WITHOUT BRAKES AND TIRES & WHEELS INSTALLATIONS

ITEM #	PART NUMBER	QTY.	DESCRIPTION	REV.
	Use 4520385	2	15in x 6in (6 Lug) (Model UT28) (Modular Wheel) (was p/n 72212)	
	Use 4520363	4	16in x 6in (8 Lug) (Model UT49) (Modular Wheel) (was p/n 72200)	
	Use 1001091708	2	14.5in x 6in (6 Lug) (Model UT410) (Black Steel) (was p/n 72213)	
	See Note	4	15in x 6in (6 Lug) (Models UT610-UT614) (Note: Was p/n 72211 Spoke Wheel - Use 4520385 Modular Wheel as Replacement)	
		Ref.	Tire and Wheel Assemblies (cont'd):	
		Ref.	Utility Series Models (cont'd):	
	Use 4520385	4	15in x 6in (6 Lug) (Model UT610-UT6144) (Modular Wheel) (was p/n 72212)	
	Use 4520363	4	16in x 6in (8 Lug) (Models UT912-UT914) (Modular Wheel) (was p/n 72200)	
1		A/R	Wheel Options:	
1A	Use 1001091707		14.5in x 6in (6 Lug Black Steel) (was p/n 71718)	
1B	71717		15in x 6in (6 Lug White Spoke)	
1C	71720		15in x 6in (6 Lug White Modular)	
1D	See Note		16in x 6in (8 Lug White Spoke) (Not Shown) (Note: Was Spoke Wheel - Use 71723 Modular Wheel as Replacement)	
1E	71723		16in x 6in (8 Lug White Modular) (Not Shown)	
2		A/R	Tire Options:	
	71939		14.5in x 6in	
	Use 4520384		15in x 6in (was p/n 71937)	
	Use 4520361		16in x 6in (was p/n 71940)	
3	See Note	A/R	Valve, Air (Note: Not Available - Purchase Locally)	
		Ref.	HUB INSTALLATION (WITHOUT BRAKES)	
		Ref.	Flatbed Models:	
	0273334	Ref.	Model 248 (Brakes are Optional)	B
	0273132	Ref.	Models 7610-7616 (Single Axle Brakes are Standard Equipment - Dual Brakes Optional)	C
		Ref.	Utility Models:	
	0273334	Ref.	Model UT28 (Brakes are Optional)	B
	0273132	Ref.	Models UT610-UT614 (Single Axle Brakes are Standard Equipment - Dual Brakes Optional)	C
101	Not Used			
102	70702	2	Idler Hub Assembly	A
102A	71825	2	Seal (1 Per Hub)	
102B	7027513	2	Cup Kit (1 Per Hub) (Includes Inner & Over Cups)	
102C	7027514	2	Cone Kit (1 Per Hub) (Includes Inner & Over Cones)	
102D	7027515	2	Cap (1Per Hub)	
102E	7027512	12	Bolt, Wheel (6 Per Hub)	
102F	7026313	12	Lugnut (6 Per Hub)	
103	80180	2	Nut, Spindle	
104	80285	2	Washer, Spindle	
105	80317	2	Pin, Cotter 5/32in x 2in Plated	

FIGURE 1-17. HUBS WITHOUT BRAKES AND TIRES & WHEELS INSTALLATIONS

ITEM #	PART NUMBER	QTY.	DESCRIPTION	REV.

SECTION 1 PARTS

FIGURE 1-18. ELECTRIC BRAKE INSTALLATIONS

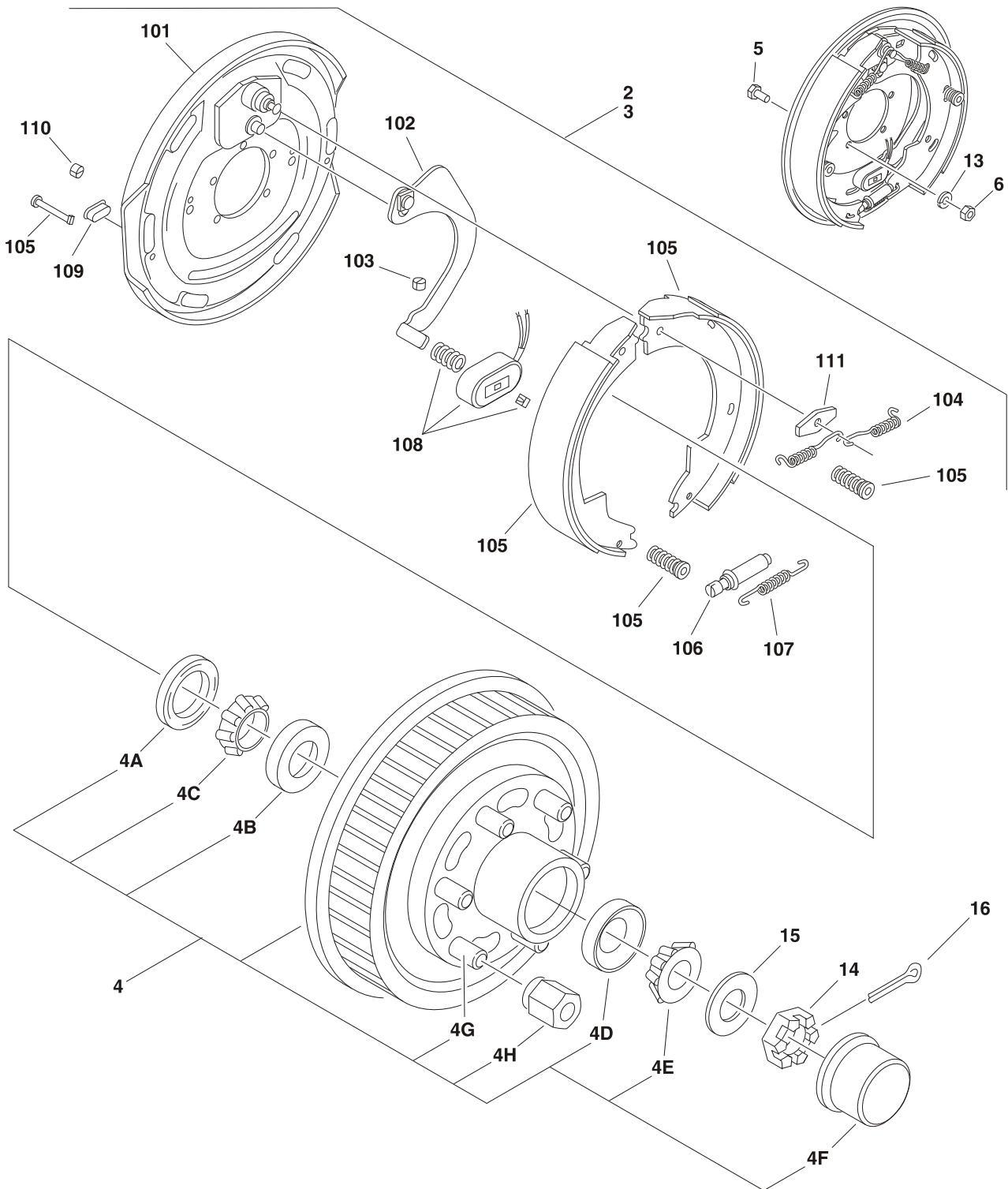


FIGURE 1-18. ELECTRIC BRAKE INSTALLATIONS

ITEM #	PART NUMBER	QTY.	DESCRIPTION	REV.
		Ref.	ELECTRIC BRAKE INSTALLATIONS	
		Ref.	Enclosed Models:	
	0273132	Ref.	Models EC10-EC14 (Single Axle Brakes - Optional)	C
	0273024	Ref.	Models EC10-EC14 (Tandem Axle Brakes - Standard)	C
		Ref.	Flatbed Models:	
	0273338	Ref.	Model 248 (Brakes are Optional)	D
	0273340	Ref.	Model 449	C
	0273290	Ref.	Models 1012-1014	C
	0273342	Ref.	Model 4610	C
	0273132	Ref.	Models 7610-7616 (Single Axle Brakes - Standard))	C
	0273024	Ref.	Models 7610-7616 (Tandem Axle Brakes - Optional)	C
		Ref.	Utility Models:	
	0273338	Ref.	Model UT28 (Brakes are Optional)	D
	0273340	Ref.	Model UT49	C
	0273342	Ref.	Model UT410	C
	0273132	Ref.	Models UT610-UT614 (Single Axle Brakes - Standard)	C
	0273024	Ref.	Models UT610-UT614 (Tandem Axle Brakes - Optional)	C
	0273290	Ref.	Models UT912-UT914	C
1	Not Used			
2	70118	A/R	Electric Brake Assembly (Right Side) Options (See Items 101-111 for Breakdown):	
		1	Single Axle Brakes	
		2	Tandem Axle Brakes	
3	70119	A/R	Electric Brake Assembly (Left Side) Options: (See Items 101-111 for Breakdown)	
		1	Single Axle Brakes	
		2	Tandem Axle Brakes	
4		A/R	Drum Assembly - Brake Options:	
	70703	2	6 Lug Drum (Single Axle Brakes)	B
	70703	4	6 Lug Drum (Tandem Axle Brakes)	B
	70705	2	8 Lug Drum (Single Axle Brakes)	B
	70705	4	8 Lug Drum (Tandem Axle Brakes)	B
4A	71825	A/R	Seal (1 Per Hub)	
4B	7026385	A/R	Cup, Inner (1 Per Hub)	
4C	7026384	A/R	Cone, Inner (1 Per Hub)	
4D		A/R	Cup, Outer Options (1 Per Hub):	
	7027509		6 Lug Drum	
	7026386		8 Lug Drum	
4E		A/R	Cone, Outer Options (1 Per Hub):	
	7027510		6 Lug Drum	
	7026387		8 Lug Drum	
4F		A/R	Cap Options (1Per Hub):	
	7027511		6 Lug Drum	
	7026383		8 Lug Drum	
	7026389	A/R	O-Ring (When Equipped)	
4G		A/R	Bolt, Wheel Options (6 or 8 Per Hub):	
	7026390		2in Length	
	70003756		2.65in Length	

SECTION 1 PARTS

FIGURE 1-18. ELECTRIC BRAKE INSTALLATIONS (CONTINUED)

ITEM #	PART NUMBER	QTY.	DESCRIPTION	REV.
4H	7026313	A/R	Lugnut (6 or 8 Per Hub)	
5		A/R	Bolt Options:	
	80036	A/R	Bolt 3/8in-24NF x 1in (Prior to S/N 0050001206)	
	0651610	A/R	Bolt 3/8in-24NF x 1-1/4in (S/N 0050001206 to Present)	
		10	Single Axle Brakes	
		20	Tandem Axle Brakes	
6	80134	A/R	Nut 3/8in-24NF	
		10	Single Axle Brakes	
		20	Tandem Axle Brakes	
7 to 12	Not Used			
13	80232	A/R	Flatwasher 3/8in Options:	
		10	Single Axle Brakes	
		20	Tandem Axle Brakes	
14	80180	2	Nut, Spindle	
15	80285	2	Washer, Spindle	
16	80317	2	Pin, Cotter 5/32in x 2in Plated	
		Ref.	ELECTRIC BRAKE ASSEMBLIES	
	70118	Ref.	Right Side	C
	70119	Ref.	Left Side	C
101	See Note	1	Plate, Backing (Note: Not Available - Purchase Complete Assy)	
102		1	Lever, Actuating Options:	
	7026392		Right Side	
	7026391		Left Side	
103	7026393	2	Clip, Wire	
104	7026394	2	Spring, Retractor	
105	70132	1	Brake Shoe Assembly (Includes 1 Primary & 1 Secondary Brake Shoe with Lining, 2 Pins, 2 Springs and 2 Cups)	
106	7026395	1	Adjuster Assembly	
107	7026396	1	Spring, Adjuster	
108	7026397	1	Magnet Assembly (Includes 1 each of Magnet, Spring & Clip)	
109	See Note	1	Plug, Adjuster Slot (Note: Not Available for Purchase)	
110	See Note	1	Grommet (Note: Not Available for Purchase)	
111	7026398	1	Washer, Anchor	

FIGURE 1-18. ELECTRIC BRAKE INSTALLATIONS (CONTINUED)

ITEM #	PART NUMBER	QTY.	DESCRIPTION	REV.

SECTION 1 PARTS

FIGURE 1-19. HYDRAULIC SURGE BRAKE INSTALLATIONS (OPTIONAL)

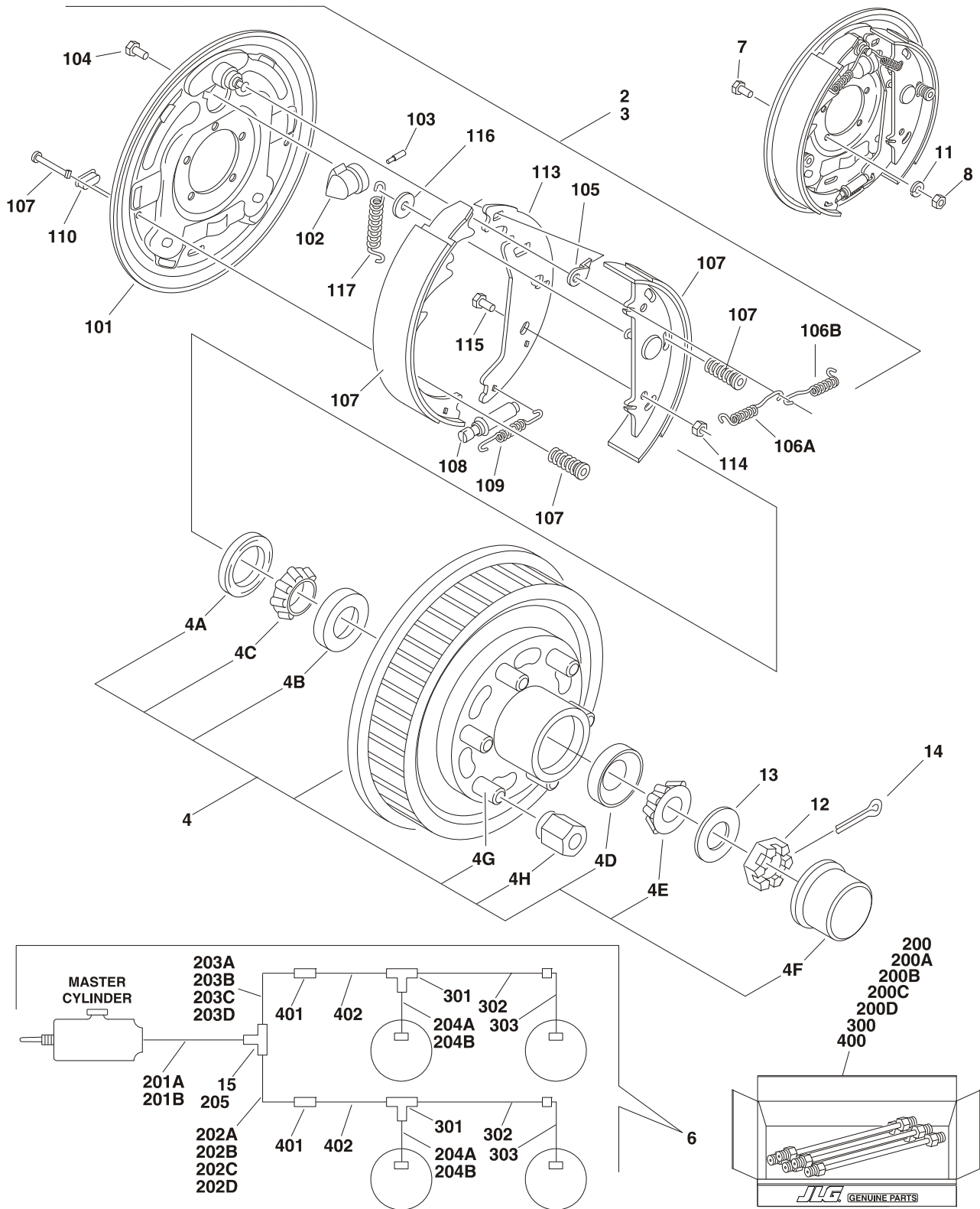


FIGURE 1-19. HYDRAULIC SURGE BRAKE INSTALLATIONS (OPTIONAL)

ITEM #	PART NUMBER	QTY.	DESCRIPTION	REV.
		Ref.	HYDRAULIC SURGE BRAKES INSTALLATION	
		Ref.	Enclosed Models:	
	0273022	Ref.	Models EC10-EC14 (Single Axle Brakes)	B
	0273023	Ref.	Models EC10-EC14 (Tandem Axle Brakes)	B
		Ref.	Flatbed Models:	
	0273337	Ref.	Model 248 (Brakes are Optional)	B
	0273339	Ref.	Model 449	B
	0273289	Ref.	Models 1012-1014	B
	0273341	Ref.	Model 4610	B
	0273022	Ref.	Models 7610-7616 (Single Axle Brakes)	B
	0273023	Ref.	Models 7610-7616 (Tandem Axle Brakes)	B
		Ref.	Utility Models:	
	0273337	Ref.	Model UT28 (Brakes are Optional)	B
	0273339	Ref.	Model UT49	B
	0273341	Ref.	Model UT410	B
	0273022	Ref.	Models UT610-UT614 (Single Axle Brakes)	B
	0273023	Ref.	Models UT610-UT614 (Tandem Axle Brakes)	B
	0273289	Ref.	Models UT912-UT914	B
1	Not Used			
2	70121	A/R	Hydraulic Surge Brake Assembly (Left Side) Options (Includes Items 101-117):	
		1	Single Axle Brakes	
		2	Tandem Axle Brakes	
3	70120	A/R	Hydraulic Surge Brake Assembly (Right Side) Options (Includes Items 101-117):	
		1	Single Axle Brakes	
		2	Tandem Axle Brakes	
4		A/R	Drum Assembly - Brake Options:	
	70703	2	6 Lug Drum (Single Axle Brakes)	
	70703	4	6 Lug Drum (Tandem Axle Brakes)	
	70705	2	8 Lug Drum (Single Axle Brakes)	
	70705	4	8 Lug Drum (Tandem Axle Brakes)	
4A	71825	A/R	Seal (1 Per Hub)	
4B	7026384	A/R	Cup, Inner (1 Per Hub)	
4C	7026385	A/R	Cone, Inner (1 Per Hub)	
4D		A/R	Cup, Outer Options (1 Per Hub):	
	7027509		6 Lug Drum	
	7026386		8 Lug Drum	
4E		A/R	Cone, Outer Options (1 Per Hub):	
	7027510		6 Lug Drum	
	7026387		8 Lug Drum	
4F		A/R	Cap Options (1Per Hub):	
	7027511		6 Lug Drum	
	7026383		8 Lug Drum	
	7026389	A/R	O-Ring (When Equipped)	
4G		A/R	Bolt, Wheel Options (6 or 8 Per Hub):	
	7026390		2in Length	
	70003756		2.65in Length	

SECTION 1 PARTS

FIGURE 1-19. HYDRAULIC SURGE BRAKE INSTALLATIONS (OPTIONAL) (CONTINUED)

ITEM #	PART NUMBER	QTY.	DESCRIPTION	REV.
4H	7026313	A/R	Lugnut (6 or 8 Per Hub)	
5	Not Used			
6		A/R	Brake Line Kit Options (See Items 200-402 for Breakdown):	
			Enclosed Models:	
			Models EC10 (Single Axle Brakes)	
	28603	1	Standard Brake Line Kit	
	27610	1	Brake Line Extension Kit	
			Models EC10 (Tandem Axle Brakes)	
	28603	1	Standard Brake Line Kit	
	27610	1	Brake Line Extension Kit	
	28604	1	Tandem Add-On Brake Line Kit	
			Models EC12 (Single Axle Brakes)	
	30600	1	Standard Brake Line Kit	
	27610	1	Brake Line Extension Kit	
			Models EC12 (Tandem Axle Brakes)	
	30600	1	Standard Brake Line Kit	
	27610	1	Brake Line Extension Kit	
	28604	1	Tandem Add-On Brake Line Kit	
			Models EC14 (Single Axle Brakes)	
	27603	1	Standard Brake Line Kit	
	27610	1	Brake Line Extension Kit	
			Models EC14 (Tandem Axle Brakes)	
	27603	1	Standard Brake Line Kit	
	27610	1	Brake Line Extension Kit	
	28604	1	Tandem Add-On Brake Line Kit	
			Flatbed Models:	
	27603	1	Model 248 (Standard Brake Line Kit) (Brakes - Optional)	
	35600	1	Model 449 (Standard Brake Line Kit)	
			Models 1012	
	27603	1	Standard Brake Line Kit	
	27610	1	Brake Line Extension Kit	
	28604	1	Tandem Add-On Brake Line Kit	
			Models 1014	
	30600	1	Standard Brake Line Kit	
	27610	1	Brake Line Extension Kit	
	28604	1	Tandem Add-On Brake Line Kit	
	27603	1	Model 4610 (Standard Brake Line Kit)	
			Models 7610 (Single Axle Brakes)	
	28603	1	Standard Brake Line Kit	
	27610	1	Brake Line Extension Kit	
			Models 7610 (Tandem Axle Brakes)	
	28603	1	Standard Brake Line Kit	
	27610	1	Brake Line Extension Kit	
	28604	1	Tandem Add-On Brake Line Kit	
			Models 7612 (Single Axle Brakes)	
	30600	1	Standard Brake Line Kit	
	27610	1	Brake Line Extension Kit	

SECTION 1 PARTS

FIGURE 1-19. HYDRAULIC SURGE BRAKE INSTALLATIONS (OPTIONAL) (CONTINUED)

ITEM #	PART NUMBER	QTY.	DESCRIPTION	REV.	
6 (cont'd)			Models 7612 (Tandem Axle Brakes)		
	30600	1	Standard Brake Line Kit		
	27610	1	Brake Line Extension Kit		
	28604	1	Tandem Add-On Brake Line Kit		
			A/R	Brake Line Kit Options (See Items 200-402 for Breakdown):	
				Models 7614 (Single Axle Brakes)	
	27603	1		Standard Brake Line Kit (Prior to S/N 005001143)	
	33600	1		Standard Brake Line Kit (S/N 005001143 to Present)	
	27610	1		Brake Line Extension Kit	
				Models 7614 (Tandem Axle Brakes)	
	27603	1		Standard Brake Line Kit (Prior to S/N 005001143)	
	33600	1		Standard Brake Line Kit (S/N 005001143 to Present)	
	27610	1		Brake Line Extension Kit	
	28604	1		Tandem Add-On Brake Line Kit	
				Models 7616 (Single Axle Brakes)	
	38600	1		Standard Brake Line Kit	
	28604	1		Brake Line Extension Kit (Note: 36in Steel Line from Kit is use as Extension. Discard Other Parts.)	
				Models 7616 (Tandem Axle Brakes)	
	38600	1		Standard Brake Line Kit	
	28604	1		Brake Line Extension Kit (Note: 36in Steel Line from Kit is use as Extension. Discard Other Parts.)	
	28604	1		Tandem Add-On Brake Line Kit	
				Utility Models:	
	27603	1		Model UT28 (Standard Brake Line Kit) (Brakes - Optional)	
	35600	1		Model UT49 (Standard Brake Line Kit)	
	27603	1		Model UT410 (Standard Brake Line Kit)	
				Models UT610 (Single Axle Brakes)	
	28603	1		Standard Brake Line Kit	
	27610	1		Brake Line Extension Kit	
				Models UT610 (Tandem Axle Brakes)	
	28603	1		Standard Brake Line Kit	
	27610	1		Brake Line Extension Kit	
	28604	1		Tandem Add-On Brake Line Kit	
				Models UT612 (Single Axle Brakes)	
30600	1		Standard Brake Line Kit		
27610	1		Brake Line Extension Kit		
			Models UT612 (Tandem Axle Brakes)		
30600	1		Standard Brake Line Kit		
27610	1		Brake Line Extension Kit		
28604	1		Tandem Add-On Brake Line Kit		
			Models UT614 (Single Axle Brakes)		
27603	1		Standard Brake Line Kit		
27610	1		Brake Line Extension Kit		
			Models UT614 (Tandem Axle Brakes)		
27603	1		Standard Brake Line Kit		
27610	1		Brake Line Extension Kit		
28604	1		Tandem Add-On Brake Line Kit		

SECTION 1 PARTS

FIGURE 1-19. HYDRAULIC SURGE BRAKE INSTALLATIONS (OPTIONAL) (CONTINUED)

ITEM #	PART NUMBER	QTY.	DESCRIPTION	REV.
6 (cont'd)			Models UT912	
	27603	1	Standard Brake Line Kit	
	27610	1	Brake Line Extension Kit	
	28604	1	Tandem Add-On Brake Line Kit	
		A/R	Brake Line Kit Options (See Items 200-402 for Breakdown):	
			Models UT914	
	30600	1	Standard Brake Line Kit	
	27610	1	Brake Line Extension Kit	
	28604	1	Tandem Add-On Brake Line Kit	
7		A/R	Bolt Options:	
	80036	A/R	Bolt 3/8in-24NF x 1in (Prior to S/N 0050001206)	
	0651610	A/R	Bolt 3/8in-24NF x 1-1/4in (S/N 0050001206 to Present)	
		10	Single Axle Brakes	
		20	Tandem Axle Brakes	
8	80134	A/R	Nut 3/8in-24NF	
		10	Single Axle Brakes	
		20	Tandem Axle Brakes	
9 to 10	Not Used			
11	80232	A/R	Flatwasher 3/8in Options:	
		10	Single Axle Brakes	
		20	Tandem Axle Brakes	
12	80180	4	Nut, Spindle	
13	80285	4	Washer, Spindle	
14	80317	4	Pin, Cotter 5/32in x 2in Plated	
15	80413	1	Screw, Self-Tapping #10-16 x 3/4in	
		Ref.	HYDRAULIC SURGE BRAKES ASSEMBLIES	
	70121	Ref.	Left Side	B
	70120	Ref.	Right Side	B
101	See Note	1	Plate, Backing (Note: Not Available - Purchase Complete Assembly)	
102		1	Cylinder, Uni-Servo Wheel Options:	
	70145		Left Side	
	70144		Right Side	
103	7026399	1	Pin, Push	
104	See Note	1	Screw & Washer (Note: Not Available - Purchase Locally)	
105	7027500	1	Link, Travel	
106		A/R	Spring Options:	
106A	7027501	1	Spring, Retractor	
106B	7027502	1	Spring, Shoe Lever Return	
107		1	Brake Shoe Assembly Options (Includes 1 Primary & 1 Secondary Brake Shoe with Lining, 2 Pins, 2 Springs and 2 Cups):	
	7027503		Left Side	
	7027504		Right Side	
108	7027505	1	Adjuster Assembly	
109	7027506	1	Spring, Adjuster	
110	See Note	1	Plug, Slot (Note: Not Available for Purchase)	
111 to 112	Not Used			
113	7027507	1	Lever, Shoe	

SECTION 1 PARTS

FIGURE 1-19. HYDRAULIC SURGE BRAKE INSTALLATIONS (OPTIONAL) (CONTINUED)

ITEM #	PART NUMBER	QTY.	DESCRIPTION	REV.
114	See Note	1	Locknut (Note: Not Available - Purchase Locally)	
115	See Note	1	Screw (Note: Not Available - Purchase Locally)	
116	See Note	1	Washer (Note: Not Available - Purchase Locally)	
117	7027508	1	Spring, Primary Shoe Return	
		Ref.	BRAKE LINE KITS	
		Ref.	Note: Refer to Item 6 for Usage as some Models use more than 1 Kit.	
200		Ref.	Standard Brake Line Kit Options:	
200A	35600	Ref.	Brake Line (Standard Brake Line Kit) (Includes Items 201A, 202A,203A, 204A & 205)	
200B	27603	Ref.	Brake Line (Standard Brake Line Kit) (Includes Items 201A, 202B,203B, 204A & 205)	
200C	28603	Ref.	Brake Line (Standard Brake Line Kit) (Includes Items 201B, 202C,203C, 204B, 205 & 206)	
200D	30600	Ref.	Brake Line (Standard Brake Line Kit) (Includes Items 201B, 202D,203D, 204B & 205)	
201		1	Brake Line - Tongue Options:	
201A	70002556		38in Length	
201B	70002563		42in Length	
202		1	Brake Line - Left Side Options:	
202A	70002560		88in Length	
202B	70002554		98in Length	
202C	70002566		104in Length	
202D	70002561		111in Length	
203		1	Brake Line - Right Side Options:	
203A	70002559		82in Length	
203B	70002555		92in Length	
203C	70002554		98in Length	
203D	70002562		105in Length	
204		2	Flexible Hose	
204A	70002557		13in Length	
204B	70002551		18in Length	
205	70002558	1	Tee, Brass with Mounting Bracket	
206	70002564	2	Bracket, Frame Mounting (Not Shown)	
	70002565	2	Clip, Hose (Not Shown)	
300	28604	Ref.	Brake Line (Second Tandem Brake Add-On Kit) (Includes Items 301,302 & 303) (One Kit does both sides)	
301	70002549	2	Tee, Brass	
302	70002547	2	Brake Line - 36in Length	
303	70002548	2	Flexible Hose - 18in Length	
400	27610	Ref.	Brake Line (Brake Line Extension Kit) (Includes Items 401 & 402) (One Kit does both sides)	
401	70002553	2	Fitting, 90°	
402	70002550	2	Brake Line - 22in Length	

SECTION 1 PARTS

FIGURE 1-20. OPTIONAL ACCESSORY INSTALLATIONS

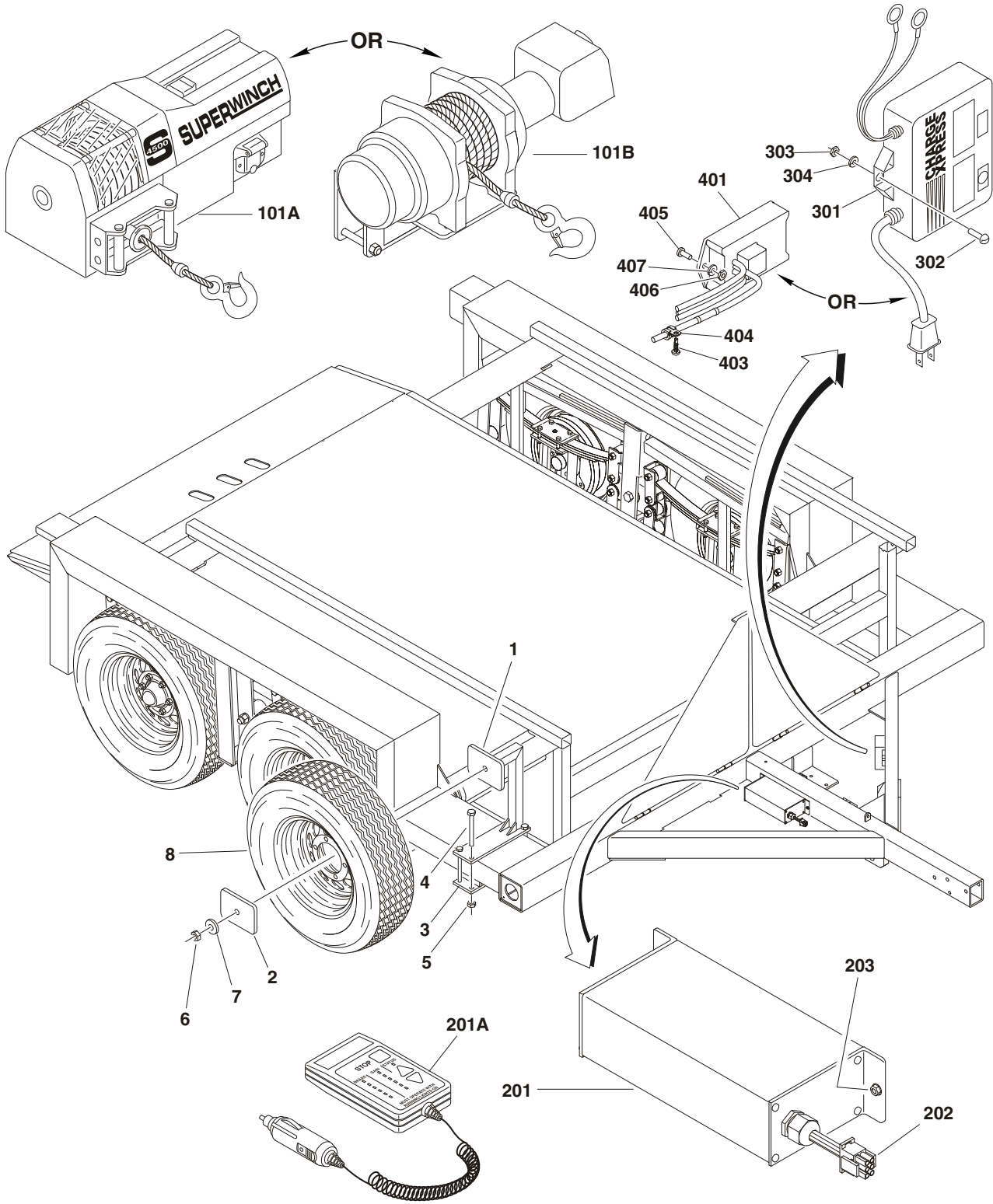


FIGURE 1-20. OPTIONAL ACCESSORY INSTALLATIONS

ITEM #	PART NUMBER	QTY.	DESCRIPTION	REV.
		Ref.	SPARE TIRE BRACKET INSTALLATION	
	0273133	Ref.	Bracket Installation for All Models except 1012-1014 & UT912-UT914	
	No P/N	Ref.	Hardware Kit for All Models except 1012-1014 & UT912-UT914	
	0273354	Ref.	Bracket & Hardware Installation for Models 1012-1014 & UT912-UT914	A
1	27425	1	Bracket, Spare Tire	
2	27381	1	Plate, Clamp (Front)	
3	27426	1	Plate, Clamp (Bottom)	
4		4	Bolt 3/8in-16NC Options:	
	0641652		6-1/2in Length (All Models except 1012-1014 & UT912-UT914)	
	80033		7-1/2in Length (Models 1012-1014 & UT912-UT914)	
5	80131	4	Locknut 3/8in-16NC	
6	80150	1	Nut 1/2in-13NC	
7	80251	1	Lockwasher 1/2in Wide	
8	See Note	1	Spare Tire & Wheel Assembly (Note: Determine Tire and Wheel Assembly Required by Referring to Tire & Wheel Installation for Replacement)	

	71816	1	Bracket Kit (Includes Items 1, 2 & 3)	
	0273037	Ref.	ELECTRIC WINCH W/REMOTE INSTALLATION Note (Not Available on Models 248 & UT28)	C
101		1	Winch Assembly Options:	
101A	72217		Superwinch	
101B	4880048		Warn Works Winch	
		1	Mounting Weldment Options (Not Shown):	
	30411		Used with Superwinch	
	0903166		Used with Warn Works Winch	
	80131	2	Locknut 3/8"-16NC (Not Shown)	
	80038	2	Bolt 3/8"-16NC x 3"(Not Shown)	
	70601	2	Grommet (Not Shown - Protects Wiring Passing through Frame)	
	0274076	Ref.	ELECTRIC BRAKE CONTROLLER INSTALLATION Note (Available on Models EC10-EC14, 7610-7616 & UT610-UT614)	A
201	1600395	1	Controller Assembly (Includes qty 1 Remote Controller)	
	7026349	1	Gasket	
	7026350	1	Connector, Strain Relief	
201A	7026351	1	Replacement Remote Controller	
202	4923139	1	Harness, Electric Brake Control	
203	80413	2	Screw, Self-Tapping	

SECTION 1 PARTS

FIGURE 1-20. OPTIONAL ACCESSORY INSTALLATIONS (CONTINUED)

ITEM #	PART NUMBER	QTY.	DESCRIPTION	REV.
	0273040	Ref.	120V DC POWERED BATTERY CHARGER INSTALLATION Note (Not Available on Models 248 & UT28)	C
301	70126	1	Battery Charger Assembly	
302		2	Screw Options:	
	80413		Screw, Self Drilling (Prior to S/N 0050004224)	
	80010		Screw, Pan Head #10-24NC (S/N 0050004224 to Present)	
303	80103	2	Nut #10-24NC (S/N 0050004224 to Present)	
304	80201	2	Lockwasher #10 (S/N 0050004224 to Present)	
	0275859	Ref.	12V DC TOW VEHICLE POWERED BATTERY CHARGER INSTALLATION Note (Not Available on Models 248 & UT28)	C
401	0400244	1	Battery Charger Assembly	
402	Not Used			
403	80413	1	Screw, Self Drilling (S/N 0050003342 to Present)	
404	80630	1	Clamp (S/N 0050003342 to Present)	
405	80010	2	Screw, Pan Head #10-24NC (S/N 0050004224 to Present)	
406	80103	2	Nut #10-24NC (S/N 0050004224 to Present)	
407	80201	2	Lockwasher #10 (S/N 0050004224 to Present)	
	2902375	Ref.	TRAILER SECURITY KIT (NOT SHOWN)	A
501	2940169	1	Latch, Ball Hitch Lock	
502	2940170	1	Latch, Wheel Lock	
		Ref.	SCISSOR LIFT TIE-DOWN SETS (NOT SHOWN)	
	0273802	Ref.	Use on Models 449 & UT49 to transport JLG ES Series Scissor Lifts.	B
	0273440	Ref.	Use on Models 449 & UT49 when equipped with wheel locators to transport JLG Model 1932E2 Scissor Lifts.	C
	0274098	Ref.	Use on Models UT612 to transport JLG ES Series Scissor Lifts.	A
601		A/R	Tie-Down Chain Assembly Options:	
	1260385	2	0273802 Installation (48in)	
	1260386	2	0273802 Installation (23.5in)	
	1260377	2	0273440 Installation (15in)	
	1260400	2	0274098 Installation (35in)	
	1260401	2	0274098 Installation (91in)	
602	Not Used			
603		A/R	Ratchet Binder Assembly Options:	
	1260390	2	Ratchet Binder with out chain	
	2902410	1	Ratchet Binder with chain (Includes qty 2 of p/n 1260404)	
	1260404	2	Ratchet Binder with chain	
604		A/R	Double Clevis Link Assembly	
	3010132	2	0273802 Installation	
	3010132	1	0273440 Installation	
	3010131	1	0273440 Installation	

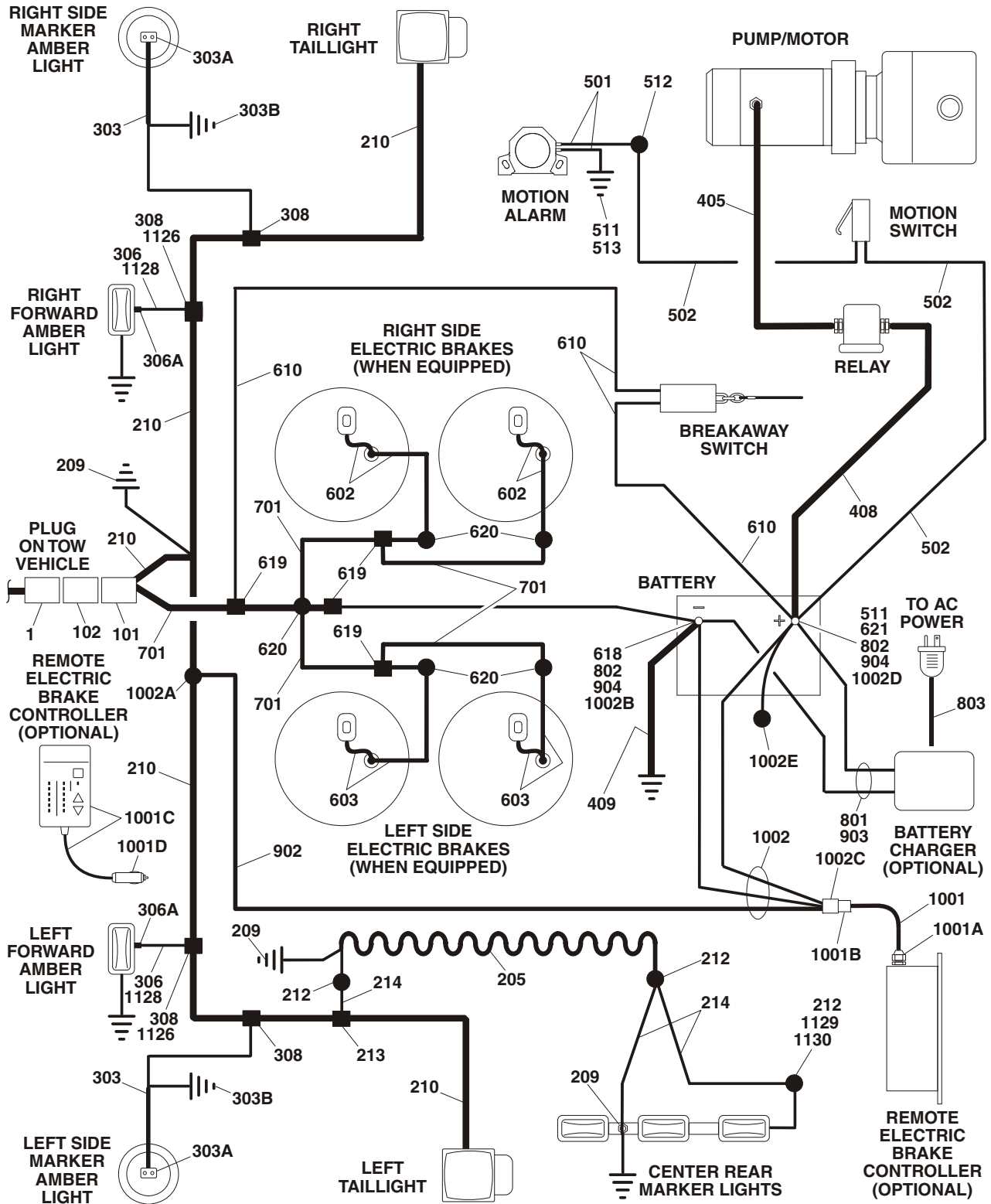
SECTION 1 PARTS

FIGURE 1-20. OPTIONAL ACCESSORY INSTALLATIONS (CONTINUED)

ITEM #	PART NUMBER	QTY.	DESCRIPTION	REV.
604 (cont'd)		A/R	Double Clevis Link Assembly	
	3010132	2	0274098 Installation	
605	Use 2902410	1	Straps (Was p/n 4240166) (Note: Used on 0273440 Installation Prior to S/N 050000991. Use qty 2 of p/n 1260404 Ratchet Binder Assembly as a Replacement)	
606	4846951	2	Bracket, Wheel Locator (0273440 Installation Only)	
	0274717	Ref.	MINI TRACK ACCESSORY MOUNT (NOT SHOWN)	B
701	80151	10	Locknut 1/2in-13NC	
702	80250	20	Flatwasher 1/2in Regular	
703	0182058	2	Bracket, Mount	
704	0641814	4	Bolt 1/2in-13NC x 1-3/4in	
705	0641828	6	Bolt 1/2in-13NC x 3-1/2in	
706	1060329	3	Cable, Lanyard	
707	1705807	1	Decal - Secure Auger	
708	1705808	2	Decal - Transporting	
709	3423070	3	Pin, Hitch	
710	3760170	3	Ring, Split	
711	3941406	3	Screw Self Tapper	
712	4240002	1	Tie, Strap	
713	4846948	1	Tray	
714	4846949	1	Auger Bracket (Vertical)	
715	4846950	1	Auger Bracket (Horizontal)	
716	70212	1	Chain, Safety W/Hook	
717	80131	1	Locknut 3/8in-16NC	
718	80230	2	Flatwasher 3/8in	
719	0630578	1	Eye-Bolt 3/8in-16NC x 6in (1in Eye)	

SECTION 1 PARTS

FIGURE 1-21. ELECTRICAL COMPONENTS INSTALLATION



SECTION 1 PARTS

FIGURE 1-21. ELECTRICAL COMPONENTS INSTALLATION

ITEM #	PART NUMBER	QTY.	DESCRIPTION	REV.
1	No P/N	Ref.	TOW VEHICLE PLUG END INSTALLATIONS	A
	No P/N	Ref.	7 Pole Plug Installation	
	No P/N	Ref.	6 Pole Plug Installation	
	72203	Ref.	Flat 4 Pole Plug Installation	
	See Note	1	Plug Options:	
	See Note		7 Pole Plug (Note: Not Available - Purchase Locally)	
	72203		6 Pole Plug (Note: Not Available - Purchase Locally)	
			Flat 4 Pole Plug	
		Ref.	TRAILER PLUG END INSTALLATIONS	
		Ref.	7 Pole Plug Installation	
	Ref.	6 Pole Plug Installation	A	
	No P/N	Ref.	Flat 4 Pole Plug Installation	A
101		1	Plug Options:	
	70236		7 Pole Plug	
	70235		6 Pole Plug	
	See Note		Flat 4 Pole Plug (Note: Plug Not Available Separately. Purchase Item 210)	
102	7027854	1	Plug, Adapter	
		Ref.	TAILLIGHTS & REAR MARKER LIGHTS HARNESS INSTALLATIONS	
		Ref.	Flatbed Models:	
		Ref.	All Models Except 248 & 449	
	0273013	Ref.	Prior to S/N 0050002112	C
	0274795	Ref.	S/N 0050002112 to Present	D
		Ref.	Models 248 & 449 Only	
	0273284	Ref.	Prior to S/N 0050000873	A
	0273013	Ref.	S/N 0050000873 to S/N 0050002112	C
	0274795	Ref.	S/N 0050002112 to Present	D
		Ref.	Utility Models:	
		Ref.	All Models Except UT28 & UT49	
	0273013	Ref.	Prior to S/N 0050002112	C
	0274795	Ref.	S/N 0050002112 to S/N 050003925	D
	1001100889	Ref.	S/N 0050003925 to Present	A
		Ref.	Models UT28 & UT49 Only	
	0273284	Ref.	Prior to S/N 0050000873	A
	0273013	Ref.	S/N 0050000873 to S/N 0050002112	C
	0274795	Ref.	S/N 0050002112 to Present	D
		Ref.	Enclosed Models EC10-EC14:	
	0274771	Ref.	S/N 0050001864 to S/N 0050002112	A
	0274797	Ref.	S/N 0050002112 to S/N 0050003925	F
	1001100890	Ref.	S/N 0050003925 to Present	A
201 to 204 205	Not Used 72234	1	Cord, Retractable Options: All Models Except 248,449, UT28 &UT49	

SECTION 1 PARTS

FIGURE 1-21. ELECTRICAL COMPONENTS INSTALLATION (CONTINUED)

ITEM #	PART NUMBER	QTY.	DESCRIPTION	REV.
205 (cont'd)	Not Required	1	Cord, Retractable Options: Models 248,449, UT28 &UT49 Only	
206 to 208	Not Used			
209	71957	3	Terminal, Ring	
210	72202	1	Wiring Harness Options: All Models Except Utility & Enclosed Models (Includes Flat 4 Pole Plug, 25ft Trailer Harness with 18in White Ground Lead)	
	72202		All Utility & Enclosed Models Only (Prior to S/N 0050003925)	
	1001100607		All Utility & Enclosed Models Only (S/N 0050003925 to Present)	
211	Not Used			
212	71954	4	Connector, Butt (Blue)	
213	71956	1	Connector, Skotch	
214	See Note	A/R	Wire, Single Strain (Note: Not Available - Purchase Locally)	
	0273014	Ref.	AMBER FRONT & SIDE MARKER LIGHTS HARNESS INSTALLATIONS	B
301 to 302	Not Used			
303	70229	2	Harness, Side Marker (1 Per Side)	
303A	Use 70229	2	Connector, 2 Position (1 Per Harness)	
303B	71957	2	Terminal, Ring (1 Per Harness)	
304 to 305	Not Used			
306	70232	2	Harness, Side Marker (1 Per Side)	
306A	Use 70232	2	Connector, 1 Position (1 Per Harness)	
307	Not Used			
308	71956	4	Connector, Scotch-Lok	
		Ref.	POWER COMPONENTS INSTALLATION	
		Ref.	Enclosed Models:	
	0273015	Ref.	Models EC10-EC14	E
		Ref.	Flatbed Models:	
		Ref.	Model 449	
	0273345	Ref.	Prior to S/N 0050003037	D
	0273015	Ref.	S/N 0050003037 to Present	E
	0273285	Ref.	Models 1012-1014	E
		Ref.	Model 4610	
	0273352	Ref.	Prior to S/N 0050003037	C
	0273015	Ref.	S/N 0050003037 to Present	E
	0273015	Ref.	Models 7610-7616	E
		Ref.	Utility Models:	
		Ref.	Model UT49	
	0273345	Ref.	Prior to S/N 0050003037	D
	0273015	Ref.	S/N 0050003037 to Present	E
		Ref.	Model UT410	
	0273352	Ref.	Prior to S/N 0050003037	C
	0273015	Ref.	S/N 0050003037 to Present	E
	0273015	Ref.	Models UT610-UT614	E
	0273285	Ref.	Models UT912-UT914	E
401 to 404	Not Used			

SECTION 1 PARTS

FIGURE 1-21. ELECTRICAL COMPONENTS INSTALLATION (CONTINUED)

ITEM #	PART NUMBER	QTY.	DESCRIPTION	REV.
405	7026158	1	Cable, Black Battery	
406 to 407	Not Used			
408		1	Cable, Red Battery Options:	
	70206		Early Premco Models	
	70215		Late Premco Models	
	70215		All JLG Models	
409		1	Cable, Black Battery Options:	
	70207		Early Premco Models	
	70216		Late Premco Models	
	70216		All JLG Models	
	0273025	Ref.	MOTION ALARM INSTALLATION	F
501	70040	1	Alarm Harness (Includes Alarm)	
502	71821	1	Microswitch Harness (Includes Microswitch & Bracket)	
503 to 510	Not Used			
511	71957	A/R	Terminal, Ring	
512	71954	1	Connector, Butt (Blue)	
513	71958	1	Terminal, Ring	
		Ref.	ELECTRIC BRAKES INSTALLATION (WHEN EQUIPPED)	
		Ref.	Enclosed Models:	
	0273132	Ref.	Models EC10-EC14 (Single Axle Brakes - Optional)	C
	0273024	Ref.	Models EC10-EC14 (Tandem Axle Brakes - Standard)	C
		Ref.	Flatbed Models:	
	0273338	Ref.	Model 248 (Brakes are Optional)	D
	0273340	Ref.	Model 449	C
	0273290	Ref.	Models 1012-1014	C
	0273342	Ref.	Model 4610	C
	0273132	Ref.	Models 7610-7616 (Single Axle Brakes - Standard)	C
	0273024	Ref.	Models 7610-7616 (Tandem Axle Brakes - Optional)	C
		Ref.	Utility Models:	
	0273338	Ref.	Model UT28 (Brakes are Optional)	D
	0273340	Ref.	Model UT49	C
	0273342	Ref.	Model UT410	C
	0273132	Ref.	Models UT610-UT614 (Single Axle Brakes - Standard)	C
	0273024	Ref.	Models UT610-UT614 (Tandem Axle Brakes - Optional)	C
	0273290	Ref.	Models UT912-UT914	C
601	Not Used			
602	Use 7026397	1	Magnet Harness (Includes 1 each of Magnet, Spring & Clip)	
603	Use 7026397	1	Magnet Harness (Includes 1 each of Magnet, Spring & Clip)	
604 to 609	Not Used			
610		1	Breakaway Switch Harness (Includes Switch)	
	71820		All Models Except Model 248 & UT28	
	71820		Models 248 & UT28 Prior to S/N 0050004430	
	1001111481		Models 248 & UT28 S/N 0050004430 to Present	
611 to 617	Not Used			
618	71957	A/R	Terminal, Ring	

SECTION 1 PARTS

FIGURE 1-21. ELECTRICAL COMPONENTS INSTALLATION (CONTINUED)

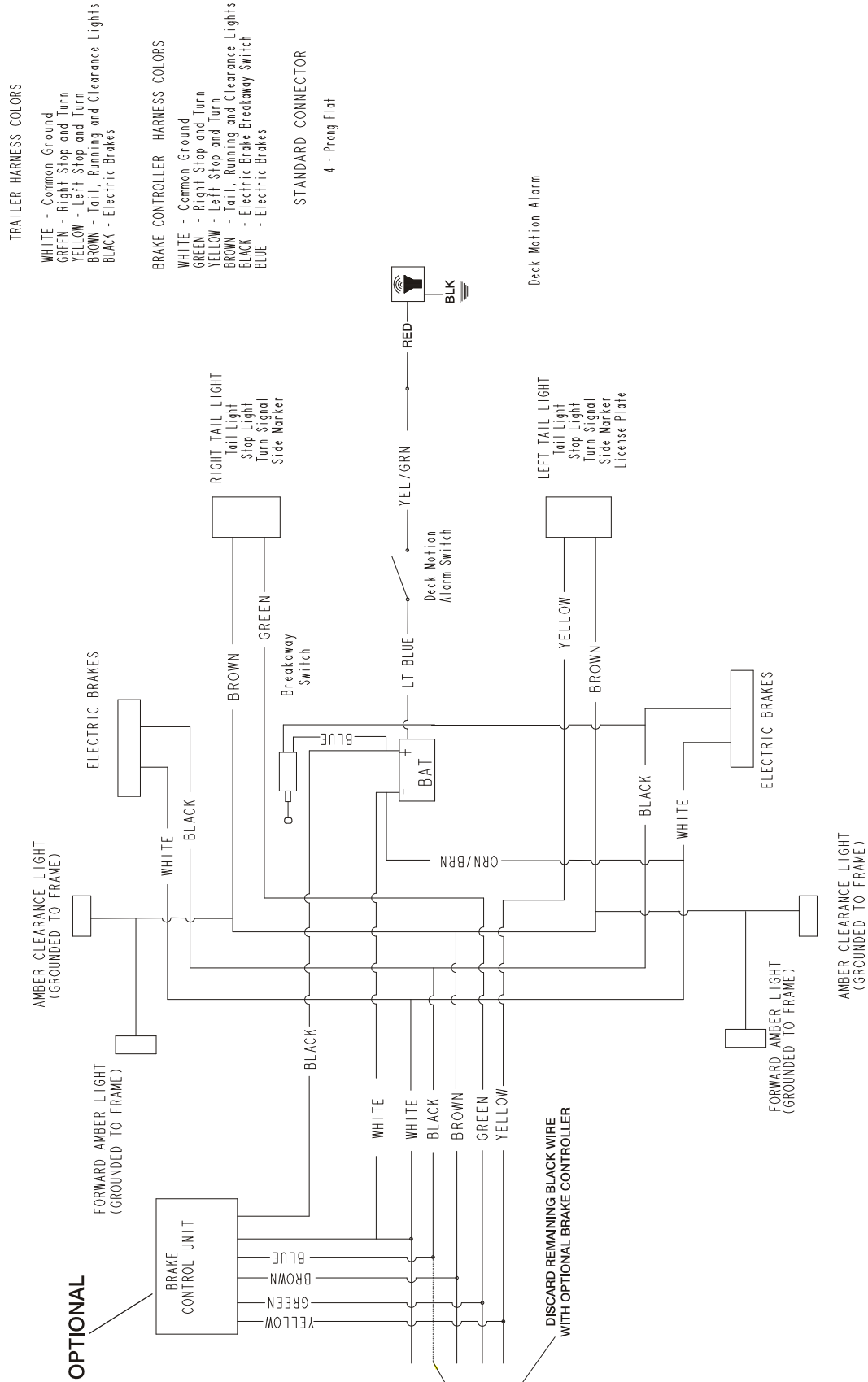
ITEM #	PART NUMBER	QTY.	DESCRIPTION	REV.
619	71956	A/R	Connector, Skotch	
		5	Single Axle Brakes	
		8	Tandem Axle Brakes	
620	71954	A/R	Connector, Butt	
		8	Single Axle Brakes	
		8	Tandem Axle Brakes	
621		A/R	Terminal, Ring Options:	
	71957		Terminal, Ring 5/16in (Prior to S/N 0050003685)	
	4460256		Terminal, Ring 3/8in (S/N 0050003685 to Present)	
	0273041	Ref.	ELECTRIC BRAKES HARNESS INSTALLATION (WHEN EQUIPPED)	A
701	72204	1	Electrical Brakes Harness	
	72229	40ft/12.2m	Cable, Electrical 14/2	
	0273040	Ref.	120V DC POWERED BATTERY CHARGER INSTALLATION Note (Not Available on Models 248 & UT28)	C
801	See Note	1	Battery Charger DC Harness Assembly (Note: Not Available - Purchase Charger p/n 70126)	
802	70957	2	Terminal, Ring	
803	See Note	1	Battery Charger AC Harness Assembly (Note: Not Available - Purchase Charger p/n 70126)	
	0275859	Ref.	12V DC TOW VEHICLE POWERED BATTERY CHARGER INSTALLATION Note (Not Available on Models 248 & UT28)	A
901 to 902	Not Used			
903	See Note	1	Battery Charger DC Harness Assembly (Note: Not Available - Purchase Charger p/n 0400244)	
904	70957	2	Terminal, Ring	
	0274076	Ref.	ELECTRIC BRAKE CONTROLLER INSTALLATION Note (Not Available on Models 248 & UT28)	A
1001	See Note	1	Controller Harness Assembly (Note: Not Available - Purchase Controller p/n 1600395)	
1001A	7026350	1	Connector, Strain Relief	
1001B	4460225	1	Receptacle, Female - 6 Position	
1001C	7026351	1	Controller Remote & Harness	
1001D	See Note	1	Plug, Cigarette Lighter (Note: Not Available - Purchase Locally)	
1002	4923139	1	Harness, Electric Brake Control	B
1002A	71954	3	Connector, Butt	
1002B	4460256	1	Terminal, Ring	
1002C	4460224	1	Plug, Male - 6 Position	
1002D	4460256	1	Terminal, Ring	
1002E	4460256	1	Connector, Butt	

SECTION 1 PARTS

FIGURE 1-21. ELECTRICAL COMPONENTS INSTALLATION (CONTINUED)

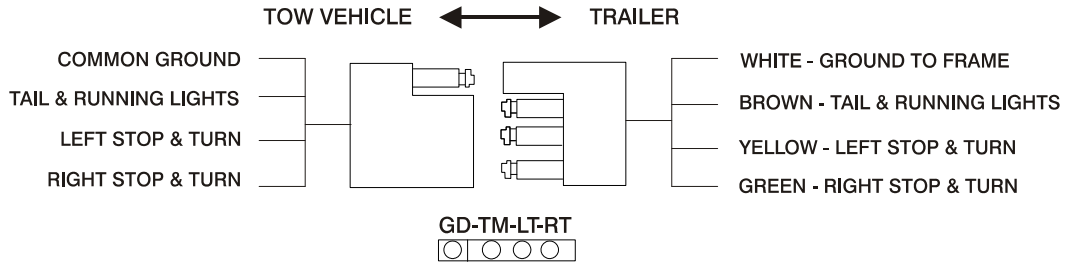
ITEM #	PART NUMBER	QTY.	DESCRIPTION	REV.
		Ref.	ENCLOSED TRAILER UPPER CLEARANCE LIGHTS INSTALLATION (S/N 0050002838 TO PRESENT)	
	0275759	Ref.	EC10	C
	0275760	Ref.	EC12	C
	0275761	Ref.	EC14	D
1101 to 1124	Not Used			
1125	71954	3	Connector, Butt (Not Shown)	
1126	71956	6	Connector, Skotch	
1127	71957	1	Terminal, Ring (Not Shown)	
1128	70232	6	Harness, Side Marker	
1129	4460821	1	Terminal, Bullet (Female) (S/N 0050003691 to Present)	
1130	1001101155	1	Terminal, Bullet (Male) (S/N 0050003691 to Present)	

FIGURE 1-22. ELECTRICAL SCHEMATIC

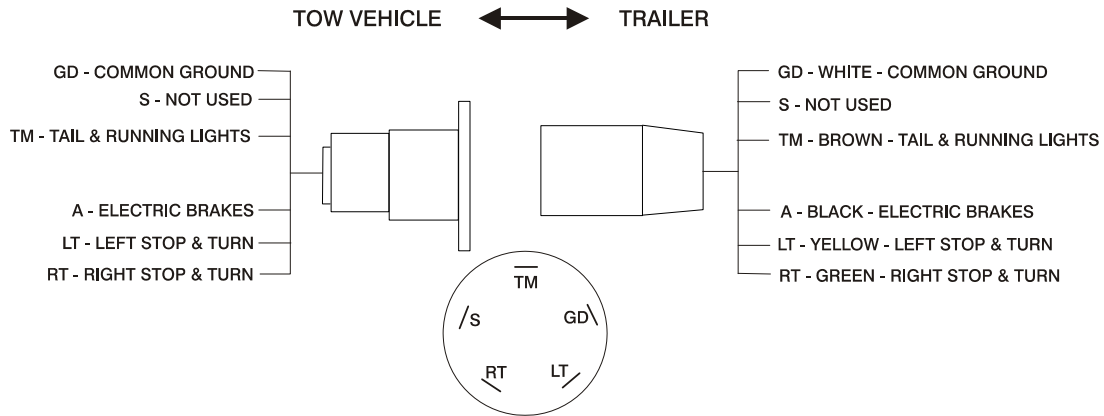


SECTION 1 PARTS

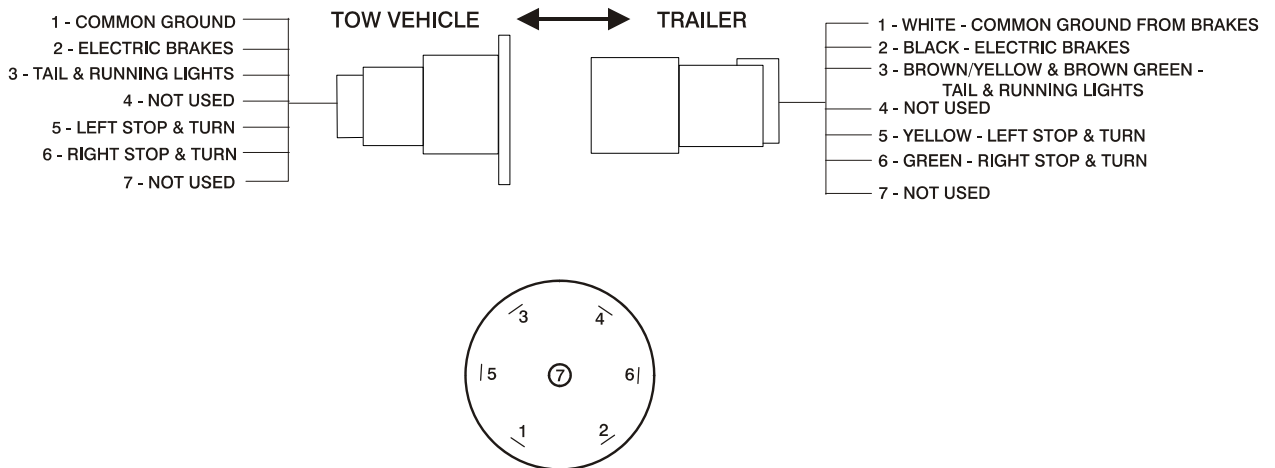
4 TERMINAL CONNECTOR (STANDARD CONNECTOR WITH SURGE BRAKES)



6 TERMINAL CONNECTOR (STANDARD CONNECTOR WITH ELECTRIC BRAKES)



7 TERMINAL CONNECTOR (SPECIAL REQUESTED CONNECTOR)



1870165 - B

FIGURE 1-23. DECAL INSTALLATION

ITEM #	PART NUMBER	QTY.	DESCRIPTION	REV.
		Ref.	STANDARD DECALS INSTALLATION	
		Ref.	Enclosed Models:	
	0273038	Ref.	Models EC10-EC14	J
		Ref.	Flatbed Models:	
	0273316	Ref.	Model 248	H
	0273318	Ref.	Model 449	I
	0273292	Ref.	Models 1012-1014	G
	0273320	Ref.	Model 4610	H
	0273038	Ref.	Models 7610-7616	J
		Ref.	Utility Models:	
	0273316	Ref.	Model UT28	H
	0273318	Ref.	Model UT49	I
	0273320	Ref.	Model UT410	H
	0273038	Ref.	Models UT610-UT614	J
	0273292	Ref.	Models UT912-UT914	G
1	70230	1	Decal - Do Not Exceed 55MPH	
2	70332	1	Decal - Check Coupler (Prior to S/N 0050002838)	
3	70317	2	Decal - Caution Stand Clear	
4	70319	2	Decal - Check Lugnuts	
5		1	Decal - Underside of Tongue Height Options:	
	70322		Prior to S/N 0050004145	
	1001105881		S/N 0050004145 to Present	
6	70323	1	Decal - Combination	
7	70325	1	Decal - Warning Overload	
8		A/R	Decal - Handbook Options:	
	70327	1	All Models except Models 248 & UT248	
	Not Required	0	Models 248 & UT248 Only	
9		2	Decal - Power Deck Options:	
9A	1705782		Prior to S/N 0050001931	
9B	1706654		S/N 0050001931 to Present	
10	1705783	1	Decal - Triple L/JLG/Made in USA	
11	1705809	2	Decal - Triple L	
12	Not Used			
13	70333	1	Decal - Warning UT0036	
14		A/R	Tape, Red/White Reflective Options (Prior to S/N 0050002838 - Not Shown):	
	Not Required	0	All Models except Models EC10-EC14	
	1705817	31ft/9.3m	Models EC10-EC14 Only	
15	1706499	1	Decal - Compliance (S/N 0050001945 to Present)	
16	See Note	1	Decal - NATM (S/N 0050001931 to Present) (Note: Not Available for Purchase)	
17		A/R	Decal - Tire Load Options:	
	1706687	1	All Models except Models 1012-1014 & EC10-EC14	
	Not Required	0	Models 1012-1014 & EC10-EC14 Only	
		Ref.	COMMON DECALS INSTALLATION	
101	See Note	1	Decal - Bar Code (Note: Not Available for Purchase)	

SECTION 1 PARTS

FIGURE 1-23. DECAL INSTALLATION (CONTINUED)

ITEM #	PART NUMBER	QTY.	DESCRIPTION	REV.
102 to 129 130	Not Used 1705304 1706922	1	Decal - Service Support Options: Standard Home Depot Spec	
131 to 145 146	Not Used 1705781	1	Decal - JLG	
147 to 170 171	Not Used See Note	1	Decal - Serial Number (Note: Not Available for Purchase)	
		Ref.	MODEL SPECIFIC DECALS INSTALLATION	
		Ref.	Enclosed Models:	
	0273030	Ref.	Models EC10	4
	0273031	Ref.	Models EC12	4
	0273032	Ref.	Models EC14	5
		Ref.	Flatbed Models:	
	0273310	Ref.	Model 248	3
	0273312	Ref.	Model 449	3
	0273299	Ref.	Model 1012	3
	0273300	Ref.	Model 1014	3
	0273314	Ref.	Model 4610	3
	0273033	Ref.	Model 7610	3
	0273034	Ref.	Model 7612	3
	0273035	Ref.	Model 7614	3
	0273036	Ref.	Model 7616	3
		Ref.	Utility Models:	
	0273311	Ref.	Model UT28	4
	0273313	Ref.	Model UT49	3
	0273315	Ref.	Model UT410	4
	0273026	Ref.	Model UT610	4
	0273027	Ref.	Model UT612	4
	0273028	Ref.	Model UT614	4
	0273297	Ref.	Model UT912 (Standard Deck)	4
	0273522	Ref.	Model UT912 (Heavy Duty Deck)	3
	0273298	Ref.	Model UT914	4
201		1	Decal - Maximum Load	
	70314		Enclosed Models: Models EC10-EC14	
	70335		Flatbed Models: Model 248	
	35601		Model 449	
	36602		Models 1012 & 1014	
	27609		Model 4610	
	28610		Models 7610, 7612 & 7614	
	70336		Model 7616	
			Utility Models: Model UT28 Options: Prior to S/N 0050001945	
	18616		S/N 0050001945 to Present	
	70335			

SECTION 1 PARTS

FIGURE 1-23. DECAL INSTALLATION (CONTINUED)

ITEM #	PART NUMBER	QTY.	DESCRIPTION	REV.
201 (cont'd)	27609	1	Decal - Maximum Load	
			Model UT49	
	18620		Model UT410 Options:	
			Prior to S/N 0050001945	
	27609		S/N 0050001945 to Present	
			Models UT610 & UT612 Options:	
	70314		Prior to S/N 0050001945	
	28610		S/N 0050001945 to Present	
			Model UT614 Options:	
	70314		Prior to S/N 0050001945	
	70336		S/N 0050001945 to Present	
			Model UT912 (Standard Deck) Options:	
	70337		Prior to S/N 0050001945	
	36602		S/N 0050001945 to Present	
	1705829		Model UT912 (Heavy Duty Deck)	
		Model UT914 Options:		
	70337		Prior to S/N 0050001945	
	36602		S/N 0050001945 to Present	
202		2	Decal - Model	
			Enclosed Models:	
	1705764		Model EC10	
	1705765		Model EC12	
	1705766		Model EC14	
			Flatbed Models:	
	1705767		Model 248	
	1705769		Model 449	
	1705773		Model 1012	
	1705774		Model 1014	
	1705771		Model 4610	
	1705777		Model 7610	
	1705778		Model 7612	
	1705779		Model 7614	
	1705780		Model 7616	
			Utility Models:	
	1705768		Model UT28	
	1705770		Model UT49	
	1705772		Model UT410	
	1705761		Model UT610	
1705762		Model UT612		
1705763		Model UT614		
1705775		Model UT912		
1705776		Model UT914		
203		A/R	Plug, Plastic Options:	
	71520	A/R	Prior to S/N 0050001394	
	3520071	A/R	S/N 0050001394 to Present	
		2	Enclosed Models	
		6	Flatbed Models	
	2	Utility Models		
204	Not Used			

SECTION 1 PARTS

FIGURE 1-23. DECAL INSTALLATION (CONTINUED)

ITEM #	PART NUMBER	QTY.	DESCRIPTION	REV.
205		A/R	Tape, Red/White Reflective Options (Prior to S/N 0050002838 - Not Shown):	
	Not Required	0	All Models except Model EC14	
	1705817	30ft/9m	Model EC14 Only	
206		A/R	Tape, White Reflective Options (Prior to S/N 0050002838 - Not Shown):	
	Not Required	0	All Models except Model EC14	
	1705818	4ft/1.3m	Model EC14 Only	
		Ref.	BALL HITCH DECALS INSTALLATION (S/N 0050002838 TO PRESENT)	
		Ref.	Enclosed Models:	
	0275052	Ref.	Models EC10-EC14	D
		Ref.	Flatbed Models:	
	0275051	Ref.	Model 248	D
		Ref.	Model 449	
	0275891	Ref.	With 2 Inch Hitch	B
	0275052	Ref.	With 2 5/16 Inch Hitch	D
	0275052	Ref.	Models 4610, 7610-7616 & 1012-1014	D
		Ref.	Utility Models:	
	0275051	Ref.	Model UT28	D
		Ref.	Model UT49	
	0275891	Ref.	With 2 Inch Hitch	B
	0275052	Ref.	With 2 5/16 Inch Hitch	D
	0275052	Ref.	Model UT410, UT610-UT614 & UT912-UT914	D
301		1	Decal - Check Coupler Options:	
	70332		Models 449 & UT49 Only	
	1707075		All except Models 449 & UT49	
	0273011	Ref.	PINTLE HITCH DECALS INSTALLATION (S/N 0050002838 TO PRESENT)	E
401	1707076	1	Decal - Check Coupler	
		Ref.	HOME DEPOT DECALS INSTALLATION	
	0274077	Ref.	Models EC10-EC14, 7610-7616 & UT614	A
	0273390	Ref.	Models 449 & UT49	B
501	1705535	3	Decal - Home Depot	
502	1704885	2	Decal - Website	
503		A/R	Decal - JLG Options:	
	Not Required	2	Models EC10-EC14, 7610-7616 & UT614	
	1705754	0	Models 449 & UT49	
504	1705809	2	Decal - Triple L	

FIGURE 1-23. DECAL INSTALLATION (CONTINUED)

ITEM #	PART NUMBER	QTY.	DESCRIPTION	REV.
		Ref.	ENCLOSED TRAILER DECALS INSTALLATION	
	0275759	Ref.	Model EC10	C
	0275760	Ref.	Model EC12	C
	0275761	Ref.	Model EC14	D
601	1702773	3	Decal - JLG (Not Shown)	
602	1706764	3	Decal - Website (Not Shown)	
603	1705817	30ft/9m	Tape, Red/White Reflective (EC14 Only - S/N 0050002838 to Present) (Not Shown)	
604	1705818	4ft/1.3m	Tape, White Reflective (EC14 Only - S/N 0050002838 to Present) (Not Shown)	

SECTION 1 PARTS

FIGURE 1-23. DECAL INSTALLATION (CONTINUED)

ITEM #	PART NUMBER	QTY.	DESCRIPTION	REV.

SECTION 2 PART NUMBER INDEX

Part Number	Page	Part Number	Page	Part Number	Page	Part Number	Page
0100019	1-27	0273286	1-54	0275052	1-8, 1-90	1001093276	1-27
0100091	1-46	0273287	1-61	0275089	1-31	1001094141	1-32
0100092	1-45	0273289	1-4, 1-69	0275687	1-54	1001094142	1-31, 1-32
0140016	1-20	0273290	1-3, 1-65, 1-81	0275756	1-45	1001094149	1-33
0182058	1-77	0273292	1-87	0275757	1-45	1001094220	1-38
0240056	1-38	0273294	1-32	0275758	1-45	1001094221	1-38
0273009	1-54	0273295	1-32	0275759	1-45, 1-51, 1-83, 1-91	1001094266	1-38
0273011	1-8, 1-90	0273297	1-88			1001094267	1-38
0273012	1-15	0273298	1-88	0275760	1-45, 1-51, 1-83, 1-91	1001094360	1-38
0273013	1-49, 1-79	0273299	1-88			1001098040	1-53, 1-54, 1-57, 1-58
0273014	1-50, 1-80	0273300	1-88	0275761	1-45, 1-51, 1-83, 1-91		
0273015	1-19, 1-29, 1-80	0273310	1-88			1001098212	1-57, 1-58
0273016	1-38	0273311	1-88	0275859	1-76, 1-82	1001098213	1-57, 1-58
0273017	1-38	0273312	1-88	0275891	1-8, 1-90	1001098214	1-57
0273021	1-61	0273313	1-88	0280179	1-53, 1-54	1001098215	1-57
0273022	1-4, 1-69	0273314	1-88	0280180	1-53, 1-54	1001098216	1-58
0273023	1-4, 1-69	0273315	1-88	0280181	1-54	1001098217	1-58
0273024	1-3, 1-65, 1-81	0273316	1-87	0280182	1-53	1001098226	1-57, 1-58
0273025	1-20, 1-81	0273318	1-87	0400244	1-76, 1-82	1001100607	1-80
0273026	1-88	0273320	1-87	0630578	1-77	1001100833	1-50
0273027	1-88	0273326	1-32	0641406	1-12	1001100889	1-49, 1-79
0273028	1-88	0273327	1-32	0641416	1-12	1001100890	1-49, 1-79
0273030	1-88	0273328	1-32	0641505	1-12	1001101155	1-83
0273031	1-88	0273329	1-53	0641626	1-29, 1-37	1001105881	1-87
0273032	1-88	0273333	1-5	0641652	1-75	1001111481	1-4, 1-81
0273033	1-88	0273334	1-3, 1-62	0641814	1-77	1001116299	1-33
0273034	1-88	0273337	1-4, 1-69	0641828	1-77	1001116300	1-32
0273035	1-88	0273338	1-3, 1-65, 1-81	0642012	1-8	1001116301	1-31
0273036	1-88	0273339	1-4, 1-69	0642044	1-7, 1-8	1060329	1-77
0273037	1-75	0273340	1-3, 1-65, 1-81	0651610	1-66, 1-72	1260377	1-76
0273038	1-87	0273341	1-4, 1-69	0791406	1-20, 1-50	1260385	1-76
0273040	1-76, 1-82	0273342	1-3, 1-65, 1-81	0903166	1-75	1260386	1-76
0273041	1-82	0273343	1-53	0961948	1-58	1260390	1-76
0273132	1-3, 1-62, 1-65, 1-81	0273344	1-15, 1-16	0962292	1-57, 1-58	1260400	1-76
0273140	1-32	0273345	1-19, 1-29, 1-80	1001091149	1-58	1260401	1-76
0273141	1-32	0273346	1-61	1001091156	1-54, 1-58	1260404	1-76
0273142	1-32	0273352	1-19, 1-29, 1-80	1001091346	1-57, 1-58	1600395	1-75, 1-82
0273143	1-32	0273354	1-75	1001091707	1-62	1702773	1-91
0273163	1-31	0273355	1-61	1001091708	1-61, 1-62	1704885	1-90
0273164	1-31	0273390	1-90	1001091848	1-20, 1-27	1705304	1-88
0273165	1-31	0273403	1-61	1001091849	1-27	1705535	1-90
0273166	1-31	0273440	1-76	1001091851	1-27	1705754	1-90
0273167	1-31	0273481	1-31	1001091853	1-27	1705761	1-89
0273168	1-31	0273514	1-31	1001091855	1-27	1705762	1-89
0273169	1-31	0273522	1-88	1001092049	1-27	1705763	1-89
0273228	1-29, 1-31	0273682	1-29, 1-31	1001092050	1-27	1705764	1-89
0273229	1-31	0273694	1-31	1001092070	1-20	1705765	1-89
0273230	1-31	0273802	1-76	1001092096	1-20, 1-27	1705766	1-89
0273231	1-31	0274076	1-75, 1-82	1001092097	1-27	1705767	1-89
0273232	1-31	0274077	1-90	1001092099	1-27	1705768	1-89
0273233	1-29, 1-31	0274098	1-76	1001092101	1-27	1705769	1-89
0273234	1-31	0274184	1-15, 1-16	1001092102	1-27	1705770	1-89
0273235	1-31	0274228	1-53	1001092253	1-50	1705771	1-89
0273236	1-31	0274717	1-77	1001092254	1-50	1705772	1-89
0273237	1-31	0274771	1-49, 1-79	1001092526	1-53, 1-55, 1-57, 1-58	1705773	1-89
0273281	1-54	0274795	1-49, 1-79			1705774	1-89
0273283	1-15	0274796	1-50	1001092864	1-57, 1-58	1705775	1-89
0273284	1-49, 1-79	0274797	1-49, 1-79	1001092865	1-58	1705776	1-89
0273285	1-19, 1-29, 1-80	0275051	1-8, 1-90	1001093189	1-27	1705777	1-89

SECTION 2 PART NUMBER INDEX

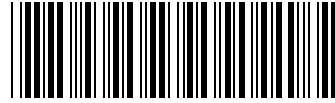
Part Number	Page	Part Number	Page	Part Number	Page	Part Number	Page
1705778	1-89	27409	1-53, 1-54, 1-57, 1-58	33403	1-32	44407	1-37
1705779	1-89	27413	1-37	33600	1-71	4460224	1-82
1705780	1-89	27414	1-38	3380500	1-38	4460225	1-82
1705781	1-88	27418	1-29	3380760	1-47	4460256	1-82
1705782	1-87	27421	1-53, 1-54, 1-57, 1-58	3380761	1-47	4460821	1-83
1705783	1-87	27422	1-3	3423070	1-77	45111	1-37
1705807	1-77	27425	1-75	34312	1-5	45112	1-37
1705808	1-77	27426	1-75	34401	1-31	4520361	1-62
1705809	1-87, 1-90	27601	1-20, 1-25	34405	1-33	4520363	1-61, 1-62
1705817	1-87, 1-90, 1-91	27603	1-70, 1-71, 1-72, 1-73	3450808	1-20, 1-27	4520384	1-62
1705818	1-90, 1-91	27604	1-53, 1-54	3520071	1-89	4520385	1-61, 1-62
1705829	1-89	27605	1-53, 1-54	35400	1-31	45406	1-37
1706499	1-87	27606	1-55	35401	1-33	45407	1-37
1706654	1-87	27607	1-25	35600	1-70, 1-71, 1-73	46111	1-37
1706687	1-87	27609	1-88, 1-89	35601	1-88	46112	1-37
1706764	1-91	27610	1-70, 1-71, 1-72, 1-73	3577090	1-46	46403	1-37
1706922	1-88	27611	1-4, 1-11	3577097	1-46	47111	1-37
1707075	1-90	28104	1-5	3577098	1-46	47112	1-37
1707076	1-90	2820019	1-50	3577122	1-46	4711800	1-5
1730002	1-31	28207	1-34	3577127	1-46	4712000	1-57, 1-58
1730004	1-31	28307	1-54, 1-58	36208	1-34	4761400	1-12
1730006	1-31	2840025	1-16	36315	1-20	4762000	1-7
1730007	1-32	2840028	1-15	36402	1-38	4771000	1-50
1730008	1-32	28401	1-33	36404	1-31	48100	1-41
1730009	1-31	28402	1-32	36407	1-33	48201	1-42, 1-46
18215	1-5	28408	1-15	36412	1-15	48205	1-46
18616	1-88	28501	1-54	36413	1-3	48316	1-41, 1-46
18620	1-89	28502	1-33	36500	1-33	48318	1-41, 1-46
19325	1-19	28603	1-70, 1-71, 1-73	36600	1-20, 1-25	48401	1-41, 1-45
19409	1-19	28604	1-70, 1-71, 1-72, 1-73	36601	1-4, 1-11	48402	1-41, 1-45
19600	1-19	28610	1-88, 1-89	36602	1-88, 1-89	48403	1-41, 1-45
19601	1-4, 1-11	2902293	1-5	37401	1-31	4846856	1-33
19613	1-12	2902375	1-76	37404	1-33	4846857	1-33
19615	1-12	2902410	1-76, 1-77	3760170	1-77	4846887	1-31, 1-32
19616	1-12	2910961	1-23	38400	1-33	4846888	1-31, 1-32
2410025	1-42, 1-45, 1-47	2920196	1-50, 1-51	38403	1-32	4846889	1-31, 1-32
25313	1-29	2920197	1-50, 1-51	38600	1-71	4846898	1-32
25406	1-29	2920198	1-50	3900390	1-47	4846899	1-32
2560207	1-42, 1-47	2920199	1-49	3900391	1-47	4846902	1-32
2620053	1-7	2920200	1-49	3900396	1-55	4846903	1-32
2620054	1-8	2920212	1-50, 1-51	3941406	1-77	4846904	1-32
2620058	1-7, 1-8	29309	1-5	4071130	1-41, 1-47	4846948	1-77
2620059	1-8	29311	1-5	41111	1-37	4846949	1-77
26404	1-19	29313	1-5	41112	1-37	4846950	1-77
27102	1-53	2940154	1-38	41403	1-37	4846951	1-77
27103	1-54	2940156	1-29	41404	1-37	4880048	1-75
27231	1-53, 1-55	2940169	1-76	41405	1-37	4923139	1-75, 1-82
27324	1-53, 1-54, 1-57, 1-58	2940170	1-76	4220311	1-45	51100	1-41
27334	1-38	29403	1-5	4220312	1-45	51200	1-42, 1-46
27335	1-38	3010131	1-76	4240002	1-77	51201	1-42, 1-46
27363	1-29	3010132	1-76, 1-77	4240177	1-20	51202	1-42, 1-46
27374	1-38	30401	1-32	4240179	1-41, 1-47	51203	1-42, 1-46
27375	1-38	30408	1-3	43111	1-37	51204	1-42, 1-46
27381	1-75	30411	1-75	43112	1-37	51205	1-42, 1-46
27401	1-33	30600	1-70, 1-71, 1-72, 1-73	43403	1-37	51206	1-42, 1-47
27402	1-31	3180014	1-50	43404	1-37	51316	1-41, 1-46
27403	1-32	3311401	1-12	44111	1-37	51317	1-41, 1-46
27404	1-32	3311408	1-20, 1-50	44112	1-37	51318	1-41, 1-46
27406	1-29	3312005	1-7	44406	1-37	51319	1-41, 1-47

SECTION 2 PART NUMBER INDEX

Part Number	Page	Part Number	Page	Part Number	Page	Part Number	Page
51320	1-41, 1-47	70106	1-7	7026330	1-23	7026395	1-66
51400	1-41, 1-45	70107	1-7	7026331	1-23	7026396	1-66
51401	1-41, 1-45	70108	1-7	7026334	1-23	7026397	1-66, 1-81
51402	1-41, 1-45	70114	1-33, 1-34	7026335	1-23	7026398	1-66
51403	1-41, 1-45	70117	1-33, 1-34	7026336	1-23	7026399	1-72
51404	1-41, 1-47	70118	1-65, 1-66	7026337	1-23	7026606	1-15
51405	1-41, 1-47	70119	1-65, 1-66	7026338	1-15	7026619	1-16
51600	1-41, 1-47	70120	1-69, 1-72	7026339	1-15	7027500	1-72
51601	1-41, 1-47	70121	1-69, 1-72	7026340	1-49	7027501	1-72
51602	1-41, 1-47	70122	1-19, 1-25	7026341	1-49	7027502	1-72
51603	1-41, 1-47	70123	1-19	7026342	1-49, 1-50	7027503	1-72
51604	1-41, 1-45	70124	1-19	7026343	1-49	7027504	1-72
51605	1-41, 1-46, 1-47	70126	1-76, 1-82	7026344	1-15	7027505	1-72
51606	1-41, 1-46	70132	1-66	7026345	1-50	7027506	1-72
51607	1-41, 1-46	70142	1-7	7026346	1-50	7027507	1-72
51608	1-41, 1-46	70144	1-72	7026347	1-50	7027508	1-73
52100	1-41	70145	1-72	7026348	1-50	7027509	1-65, 1-69
52201	1-42, 1-46	70161	1-20	7026349	1-75	7027510	1-65, 1-69
52205	1-46	70206	1-19, 1-81	7026350	1-75, 1-82	7027511	1-65, 1-69
52316	1-41, 1-46	70207	1-19, 1-81	7026351	1-75, 1-82	7027512	1-62
52318	1-41, 1-46	70212	1-5, 1-77	7026352	1-11	7027513	1-62
52401	1-41, 1-45	70215	1-20, 1-81	7026353	1-11	7027514	1-62
52402	1-41, 1-45	70216	1-20, 1-81	7026354	1-11	7027515	1-62
52403	1-41, 1-45	70226312	1-23	7026355	1-12	7027516	1-16
70002301	1-49	70227	1-50	7026356	1-12	7027517	1-16
70002302	1-49, 1-50	70228	1-51	7026357	1-11	7027518	1-16
70002547	1-73	70229	1-80	7026358	1-11	7027519	1-16
70002548	1-73	70230	1-87	7026359	1-11	7027520	1-16
70002549	1-73	70231	1-50, 1-51	7026360	1-11	7027521	1-16
70002550	1-73	70232	1-80, 1-83	7026361	1-12	7027854	1-79
70002551	1-73	70235	1-79	7026362	1-12	70301	1-32
70002553	1-73	70236	1-79	7026363	1-11	70314	1-88, 1-89
70002554	1-73	7026157	1-23	7026364	1-11	70317	1-87
70002555	1-73	7026158	1-23, 1-81	7026365	1-11	70319	1-87
70002556	1-73	7026160	1-23	7026366	1-11	70320	1-51
70002557	1-73	7026161	1-23	7026367	1-11	70322	1-87
70002558	1-73	7026162	1-23	7026368	1-12	70323	1-87
70002559	1-73	7026163	1-23	7026372	1-12	70325	1-87
70002560	1-73	7026164	1-23	7026373	1-12	70327	1-87
70002561	1-73	7026165	1-23	7026374	1-12	70332	1-87, 1-90
70002562	1-73	7026166	1-23	7026375	1-11	70333	1-87
70002564	1-73	7026167	1-23	7026376	1-11	70335	1-88
70002565	1-73	7026168	1-23	7026377	1-11	70336	1-88, 1-89
70002566	1-73	7026169	1-23	7026378	1-11	70337	1-89
70002637	1-12	7026313	1-62, 1-66, 1-70	7026379	1-11	70514	1-19
70002638	1-11	7026314	1-25	7026380	1-11	70515	1-20
70002719	1-11, 1-12	7026315	1-25	7026381	1-11	70518	1-19, 1-20
70002722	1-11, 1-12	7026316	1-25	7026382	1-12	70601	1-75
70002723	1-11, 1-12	7026317	1-25	7026383	1-65, 1-69	70702	1-62
70003612	1-23	7026318	1-25	7026384	1-65, 1-69	70703	1-65, 1-69
70003613	1-23	7026319	1-25	7026385	1-65, 1-69	70705	1-65, 1-69
70003756	1-65, 1-69	7026320	1-25	7026386	1-65, 1-69	70707	1-19, 1-20
70021	1-55	7026321	1-25	7026387	1-65, 1-69	70715	1-32
70022	1-55	7026322	1-25	7026389	1-65, 1-69	70902	1-16
70023	1-55	7026324	1-7, 1-8	7026390	1-65, 1-69	70905	1-16
70024	1-55	7026325	1-7, 1-8	7026391	1-66	70906	1-16
7002563	1-73	7026327	1-7	7026392	1-66	70907	1-15
70040	1-81	7026328	1-23	7026393	1-66	70908	1-15
70103	1-7, 1-8	7026329	1-23	7026394	1-66	70911	1-15, 1-16

SECTION 2 PART NUMBER INDEX

Part Number	Page	Part Number	Page	Part Number	Page	Part Number	Page
70912	1-15, 1-16	80120	1-42, 1-46				
70913	1-15, 1-16	80130	1-29				
70957	1-82	80131	1-5, 1-15, 1-37, 1-38, 1-42, 1-45, 1-46, 1-75, 1-77				
71101	1-49	80134	1-66, 1-72				
71110	1-50	80141	1-16, 1-53, 1-54, 1-57, 1-58				
71201	1-19, 1-20, 1-23	80142	1-5				
71205	1-23	80150	1-75				
71207	1-23	80151	1-3, 1-4, 1-5, 1-77				
71503	1-8	80161	1-3, 1-4, 1-7, 1-8				
71520	1-89	80164	1-53, 1-55, 1-57, 1-58				
71601	1-5	80175	1-55, 1-58				
71701	1-29	80180	1-62, 1-66, 1-72				
71717	1-62	80201	1-20, 1-76				
71720	1-62	80202	1-20				
71723	1-62	80209	1-20				
71805	1-38	80210	1-4, 1-45, 1-47, 1-50, 1-51				
71807	1-29	80221	1-42, 1-46				
71809	1-34	80230	1-5, 1-42, 1-45, 1-77				
71813	1-53, 1-54	80231	1-19, 1-20, 1-29				
71814	1-53	80232	1-66, 1-72				
71816	1-75	80250	1-77				
71820	1-4, 1-81	80251	1-75				
71821	1-20, 1-81	80276	1-55, 1-58				
71825	1-62, 1-65, 1-69	80285	1-62, 1-66, 1-72				
71906	1-49	80311	1-5				
71907	1-49	80313	1-5				
71921	1-50	80315	1-19, 1-25, 1-27				
71939	1-62	80317	1-62, 1-66, 1-72				
71954	1-45, 1-80, 1-81, 1-82, 1-83	80322	1-19, 1-25, 1-29				
71956	1-80, 1-82, 1-83	80325	1-38				
71957	1-80, 1-81, 1-82, 1-83	80326	1-5, 1-19				
71958	1-81	80330	1-29				
72202	1-80	80332	1-20, 1-38				
72203	1-79	80413	1-42, 1-45, 1-46, 1-50, 1-51, 1-72, 1-75, 1-76				
72204	1-82	80510	1-29				
72213	1-61, 1-62	80630	1-50, 1-76				
72216	1-5	8310085	1-47				
72217	1-75						
72229	1-82						
72234	1-79						
80000	1-4, 1-50, 1-51						
80002	1-4, 1-42, 1-45, 1-47						
80006	1-42, 1-47						
80010	1-20, 1-76						
80022	1-15, 1-19, 1-20, 1-29, 1-42, 1-46						
80028	1-5						
80033	1-75						
80036	1-66, 1-72						
80038	1-38, 1-41, 1-45, 1-75						
80042	1-53, 1-54, 1-57, 1-58						
80043	1-5, 1-16						
80065	1-3, 1-4, 1-5						
80074	1-53, 1-55, 1-57, 1-58						
80076	1-3, 1-4						
80089	1-55, 1-58						
80103	1-20, 1-76						
80110	1-42, 1-47						



3121226



An Oshkosh Corporation Company

Corporate Office
JLG Industries, Inc.
1 JLG Drive
McConnellsburg PA. 17233-9533
USA

☎ (717) 485-5161

📠 (717) 485-6417

JLG Worldwide Locations

JLG Industries (Australia)
P.O. Box 5119
11 Bolwarra Road
Port Macquarie
N.S.W. 2444
Australia

☎ +61 2 65 811111

📠 +61 2 65 813058

JLG Latino Americana Ltda.
Rua Eng. Carlos Stevenson,
80-Suite 71
13092-310 Campinas-SP
Brazil

☎ +55 19 3295 0407

📠 +55 19 3295 1025

JLG Industries (UK) Ltd
Bentley House
Bentley Avenue
Middleton
Greater Manchester
M24 2GP - England

☎ +44 (0)161 654 1000

📠 +44 (0)161 654 1001

JLG France SAS
Z.I. de Baulieu
47400 Fauillet
France

☎ +33 (0)5 53 88 31 70

📠 +33 (0)5 53 88 31 79

JLG Deutschland GmbH
Max-Planck-Str. 21
D - 27721 Ritterhude - Ihlpohl
Germany

☎ +49 (0)421 69 350 20

📠 +49 (0)421 69 350 45

JLG Equipment Services Ltd.
Rm 1107 Landmark North
39 Lung Sum Avenue
Sheung Shui N. T.
Hong Kong

☎ (852) 2639 5783

📠 (852) 2639 5797

JLG Industries (Italia) s.r.l.
Via Po. 22
20010 Pregnana Milanese - MI
Italy

☎ +39 029 359 5210

📠 +39 029 359 5845

Oshkosh-JLG Singapore
Technology Equipment Pte
Ltd
29 Tuas Ave 4,
Jurong Industrial Estate
Singapore, 639379

☎ +65-6591 9030

📠 +65-6591 9031

Plataformas Elevadoras
JLG Iberica, S.L.
Trapadella, 2
P.I. Castellbisbal Sur
08755 Castellbisbal, Barcelona
Spain

☎ +34 93 772 4700

📠 +34 93 771 1762

JLG Sverige AB
Enkopingsvagen 150
Box 704
SE - 176 27 Jarfalla
Sweden

☎ +46 (0)850 659 500

📠 +46 (0)850 659 534