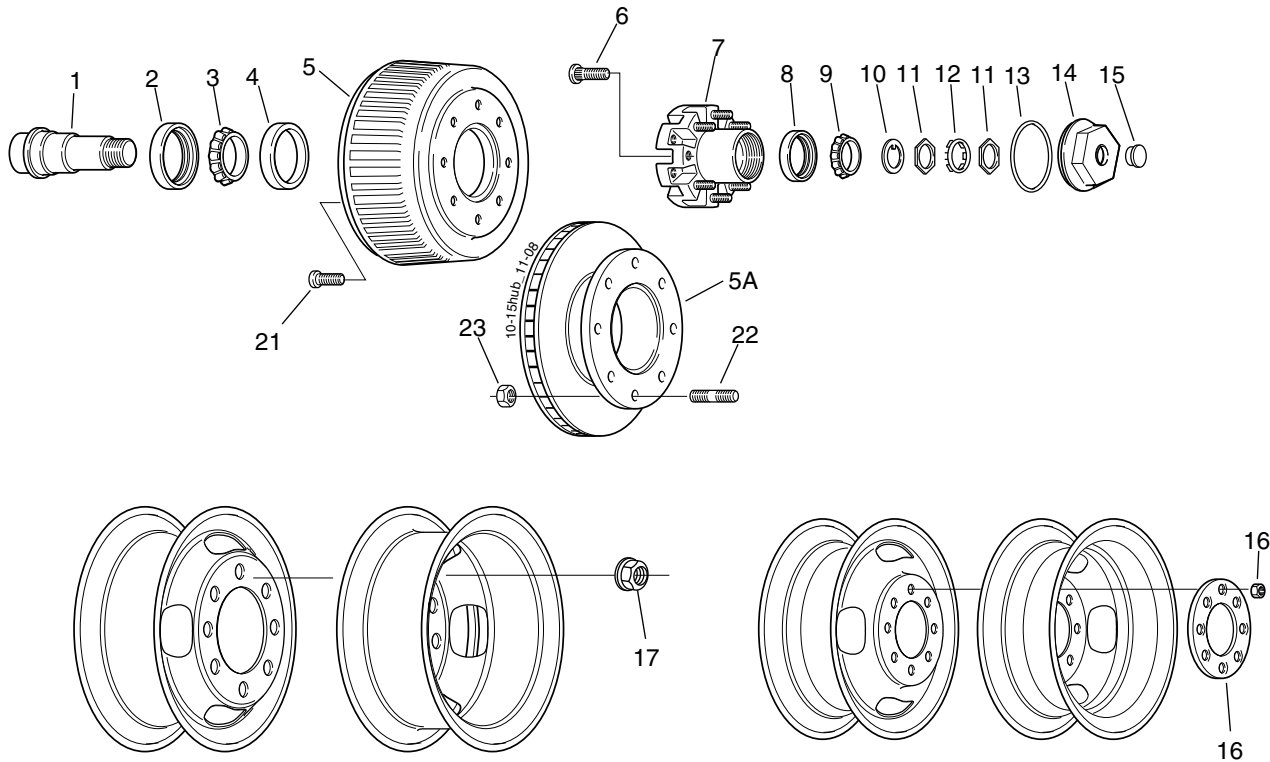


10K, 12K, 15K, #13D, and #14 Hub Groups



Item	Description	10K, #13D 8 on 6.50	10K, #13D Disc 8 on 6.50	12K Low-Profile 8 on 6.50	12K Hi-Profile 8 on 6.50	#14 Hi-Profile 8 on 6.50	12K Disc 8 on 6.50	15K 8 on 275 mm
2	Unitized Oil Seal	010-056-00	010-056-00	010-056-00	010-056-00	010-056-00	010-056-00	010-056-00
3	Inner Bearing Cone	031-022-02 (395S)	031-022-02 (395S)	031-020-02 (3984)	031-020-02 (3984)	031-020-02 (3984)	031-020-02 (3984)	031-020-02 (3984)
4	Inner Bearing Cup	031-022-01 (394A)	031-022-01 (394A)	031-020-01 (3920)	031-020-01 (3920)	031-020-01 (3920)	031-020-01 (3920)	031-020-01 (3920)
5	Brake Drum	009-027-01	–	009-028-01	009-028-01	009-028-01	–	009-028-01
5	Brake Drum-ABS	009-027-03	–	009-028-05	009-028-05	009-028-05	–	009-028-05
5A	Brake Rotor	–	070-006-01	–	–	–	070-006-01	–
5A	Brake Rotor-ABS	–	070-006-02	–	–	–	070-006-02	–
6	Wheel Mounting Stud	007-115-00	007-115-00	007-115-00	007-115-00	007-115-00	007-115-00	007-194-00 (std) 007-195-00 (long)
7	Hubs w/Cups & Studs	008-214-05	008-214-06	008-216-08	008-214-08	008-422-03	008-214-10	008-401-05 (std stud) 008-401-06 (long stud)
8	Outer Bearing Cup	031-019-01 (382A)	031-019-01 (382A)	031-021-01 (28622)	031-021-01 (28622)	031-021-01 (28622)	031-021-01 (28622)	031-021-01 (28622)
9	Outer Bearing Cone	031-019-02 (387A)	031-019-02 (387A)	031-021-02 (28682)	031-021-02 (28682)	031-021-02 (28682)	031-021-02 (28682)	031-021-02 (28682)
10	Spindle Washer	005-060-00	005-060-00	005-060-00	005-060-00	005-060-00	005-060-00	005-060-00
11	Spindle Nut	006-084-00	006-084-00	006-084-00	006-084-00	006-084-00	006-084-00	006-084-00
12	Tang Washer	005-059-00	005-059-00	005-059-00	005-059-00	005-059-00	005-059-00	005-059-00
13	Oil Cap "O" Ring	010-050-00	010-050-00	010-050-00	010-050-00	010-050-00	010-050-00	010-050-00
14	Oil Cap	021-036-00	021-036-00	021-036-00	021-036-00	021-036-00	021-036-00	021-036-00
15	Oil Cap Plug	046-032-00	046-032-00	046-032-00	046-032-00	046-032-00	046-032-00	046-032-00
16	Wheel Clamp Ring Wheel Nut	033-052-01 006-109-00	033-052-01 006-109-00	033-052-01 006-109-00	033-052-01 006-109-00	033-052-01 006-109-00	033-052-01 006-109-00	– –
17	Flange Nut (swivel)	–	–	–	–	–	–	006-118-00
21	Drum Mounting Screw	007-244-00	–	007-244-00	007-244-00	007-245-00	–	007-244-00
22	Rotor Mounting Stud	–	025-014-00	–	–	–	025-014-00	–
23	Rotor Mounting Nut	–	006-046-00	–	–	–	006-046-00	–