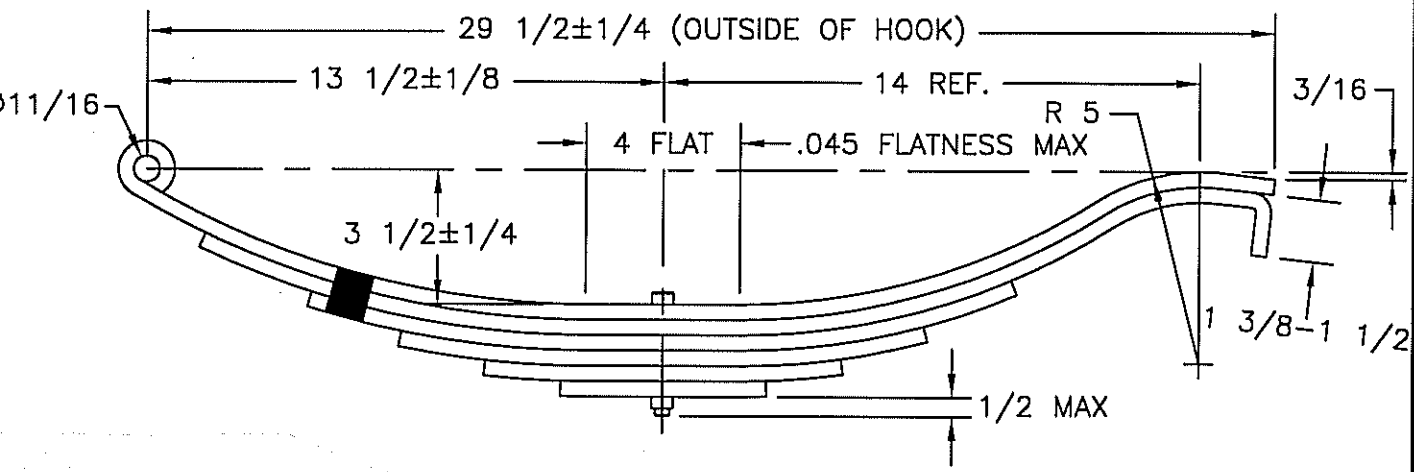


REV	DESCRIPTIONS	DATE	DUE DATE:	ORDER NO.
-----	--------------	------	-----------	-----------



	DATE	OPERATOR	QTY	HEAT #	EMCO INDUSTRIES CLAREMORE, OK 74019
SHEAR				GRADE	DEFL RATE: 3200-3600
EYE				BUNDLE TAG#	CAPACITY 4000
PUNCH				DIE# 6025-INV EHF 29.5x3.5	DEFLECTION: 1 1/8
					WEIGHT 24.72
					DWG DATE 05-20-93
QTY	BIN			E-5115(93170), EMCO-161, 93170R	