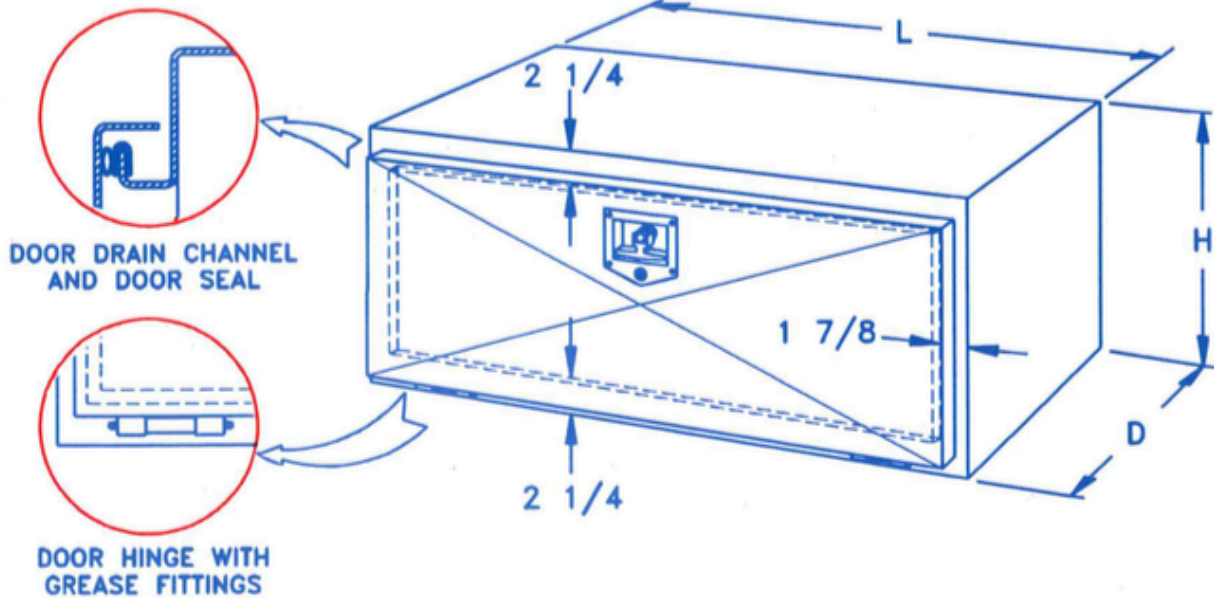




DuTec Heavy Duty Underbody Tool Box



MODEL SELECTION CHART

MODEL	LENGTH "(L)	HEIGHT "(H)	DEPTH "(D)	NET WEIGHT*
D-UB 18	18	18	18	64
D-UB 24	24	18	18	78
D-UB 30	30	18	18	92
D-UB 36	36	18	18	105
D-UB 40	40	18	18	115
D-UB 48	48	18	18	134
D-UB 60**	60	18	18	161
D-UB 72**	72	18	18	189
D-UB 90**	90	18	18	231
D-UBH 24	24	14	18	67
D-UBH 30	30	14	18	80
D-UBH 36	36	14	18	93
D-UBH 48	48	14	18	117
D-UBH 60**	60	14	18	142
D-UBC 24	24	22	22	101
D-UBC 36	36	22	22	131
D-UBC 48	48	22	22	168
D-UBS 24	24	18	11	61
D-UBS 36	36	18	11	83
D-UBHS 24	24	14	11	51
D-UBHS 36	36	14	11	71
D-UBHT 24	24	14	14	62
D-UBHT 36	36	14	14	81

* APPROXIMATE ** 2 DOOR MODEL

STANDARD FEATURES

- All H.R.P.O. 12 gauge construction
- Heavy-duty machined door hinges with 5/16" stainless steel pivot pin and grease fittings
- Rugged locking T-handle for security and durability
- X-break in door for rigidity
- Industry's most water and dust resistant door design further enhanced with an automotive type bulb rubber seal
- Heavy duty 3/16" door chains
- Phosphate cleaning and treating process to insure adhesion of primer and resist corrosion