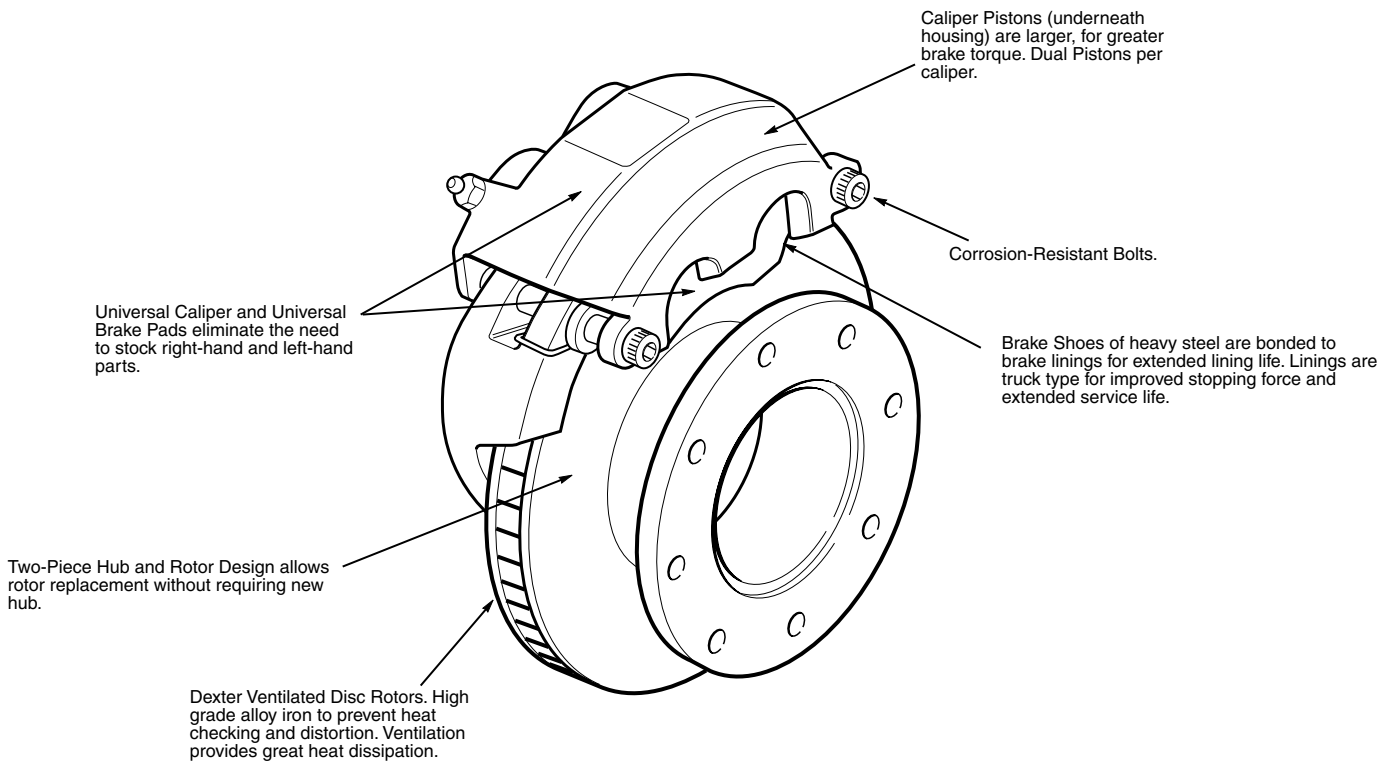
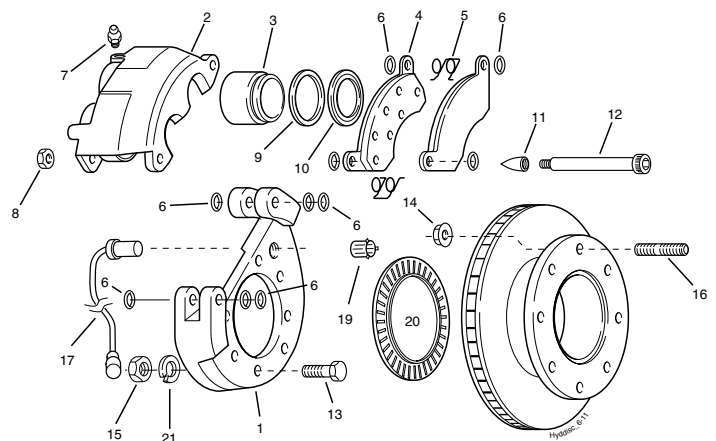


10,000 and 12,000 Lb. Hydraulic Disc Brake



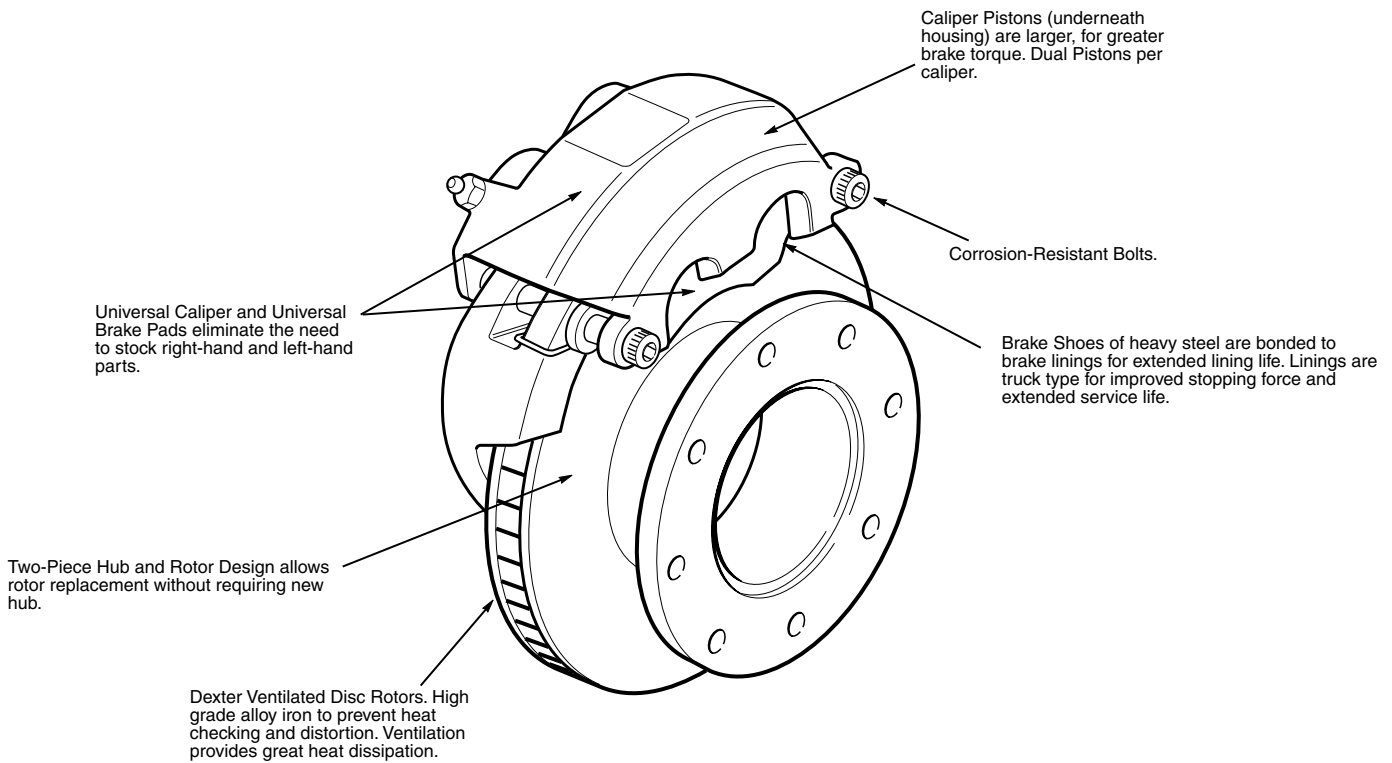
Hydraulic Disc Brake Parts

Item	Description	Qty/Brake	10K, 12K
1	Anchor Yoke Assembly (includes 6 of item #6)	1	090-002-02
2	Caliper Assembly (includes items #6, 3, 9, 10)	1	089-002-02
3	Caliper Piston	2	054-066-00
12	Shoulder Screw $\frac{5}{8}$ x 5	2	007-186-00
13	Hex Screw $\frac{7}{16}$ -20 x 1.75	7	007-116-00
14	Flange Nut	8	006-046-00
15	Hex Nut $\frac{7}{16}$ -20	7	006-017-00
16	Rotor Mounting Stud	8	025-014-00
17	ABS Sensor (straight)	1	097-004-00
19	ABS Sensor Retaining Clip	1	097-002-00
20	ABS Tone Ring	1	024-203-00
21	Lock Washer	7	005-008-00
Caliper Repair Kit Contains:		1	K71-181-00
6	"O" Ring	4	010-062-00
7	Bleeder Screw	1	054-069-00
9	Caliper Seal	2	054-067-00
10	Dust Boot	2	054-068-00
Disc Brake Replacement Pad Kit Contains:		1	K71-180-00
4	Brake Pad	4	091-003-00
5	Anti-Rattle Spring	4	046-105-00
6	"O" Ring	20	010-062-00
8	Hex Locknut	4	006-125-00
11	Installation Tool	1	071-182-00



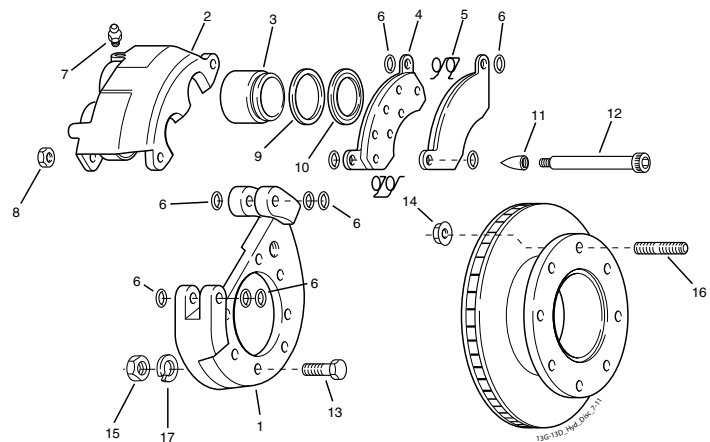
Recommend hose with banjo fitting.
 $\frac{7}{16}$ -20 threaded hole for fitting.

13G and 13D Torflex® Hydraulic Disc Brake



Torflex® Hydraulic Disc Brake Parts

Item	Description	Qty/Brake	13G, 13D
1	Anchor Yoke Assembly (includes 6 of item #6)	1	090-002-02
2	Caliper Assembly (includes items #6, 3, 9, 10)	1	089-002-02
3	Caliper Piston	2	054-066-00
12	Shoulder Screw 5/8 x 5	2	007-186-00
13	Hex Screw 7/16-20 x 1.75	7	007-116-00
14	Flange Nut	8	006-046-00
15	Hex Nut 7/16-20	7	006-017-00
16	Rotor Mounting Stud	8	025-014-00
17	Lock Washer	7	005-008-00
Caliper Repair Kit Contains:		1	K71-181-00
6	"O" Ring	4	010-062-00
7	Bleeder Screw	1	054-069-00
9	Caliper Seal	2	054-067-00
10	Dust Boot	2	054-068-00
Disc Brake Replacement Pad Kit Contains:		1	K71-180-00
4	Brake Pad	4	091-003-00
5	Anti-Rattle Spring	4	046-105-00
6	"O" Ring	20	010-062-00
8	Hex Locknut	4	006-125-00
11	Installation Tool	1	071-182-00



Recommend hose with banjo fitting.
7/16-20 threaded hole for fitting.

ABS not available on 13G or 13D.