



DEXTER AXLE

www.dexteraxle.com

1,000 - 7,000 LBS. CAPACITY



MARINE GRADE RUNNING GEAR



This information is intended as a guide for the proper specification and application of Dexter Axle running gear, associated components and accessories.

Dexter offers a full line of trailer axles that can be used in many different applications. When specifying any pre-engineered components such as axles, it is the responsibility of the trailer designer to insure compatibility with the vehicle and all of its sub-systems.

Important Information

The information presented is meant to assist trailer manufacturers in the specification of their running gear components. Dexter Axle does not warrant that the information given constitutes an approved trailer design or application. Dynamic loading, travel requirements unique to the trailer design, unusual service conditions, trailer configurations, unequal load distribution, hitch or coupler arrangements and towing vehicle suspension characteristics can significantly affect the performance of any trailer axle and/or suspension systems. It remains the responsibility of the trailer manufacturer to evaluate, specify and test their trailer/running gear combination before production and to certify it as such. While the information presented at the time of this writing is current, it is subject to change as designs and components evolve over time.

Disclaimer of Warranty and Limitation of Liability

All users of this product catalog acknowledge that the information presented is significantly affected by factors within the exclusive knowledge of the user including, among other things, service conditions, trailer configurations, load distributions, hitch and coupler arrangements and tow vehicle suspension characteristics, that the users have independently investigated these factors and have solely relied on those investigations when using this catalog, and that it is the responsibility of the user to adequately specify, evaluate and test its trailer/running gear combinations.

DEXTER AXLE DISCLAIMS ALL WARRANTIES, WHETHER WRITTEN, ORAL OR IMPLIED, IN FACT OR IN LAW (INCLUDING ANY WARRANTY OF MERCHANTABILITY OR FITNESS FOR A PARTICULAR PURPOSE), ASSOCIATED WITH THE USE OF THE CATALOG AND WITH ANY INFORMATION PRESENTED BY THIS CATALOG.

Dexter Axle shall not be liable in damages (whether compensatory, punitive, direct, indirect, special, incidental or consequential) to any user of this catalog under contract, tort, strict liability or any other theory of liability, and any user agrees to indemnify and hold Dexter Axle harmless from any and all claims, actions or other proceedings (including attorney fees and court costs) arising out of the use of this catalog to the extent said claims, actions or other proceedings do not arise out of the sole and exclusive negligence of Dexter Axle.

Load Ratings

The maximum load carrying capacity of any assembly is limited to the lowest load rating of any individual component selected. For instance, the load rating of a pair of wheels may be lower than other axle components selected. If this is the case, the load carrying capacity of the axle assembly is reduced accordingly. As a specific example, if a pair of wheels is rated at 1500 pounds each and is used with other components rated at 4000 pounds per axle, the maximum load capacity is limited to 3000 pounds. If two tires are rated at 1400 pounds each and are used on this assembly, the maximum load carrying capacity is limited to 2800 pounds.

Axle Orientation

When working with trailer running gear, it is important to understand the various features and descriptions of the equipment. Most trailer axles are directional by nature, that is, it is imperative that they be installed onto the trailer in the proper manner to ensure brake functioning and correct wheel alignment. The front of the axle must be oriented toward the front of the trailer. The convention used to define right and left is based on viewing the trailer from the rear and facing in the direction of forward travel.



Features to help identify the front of the axle:

- Electric brake wires exit brake backing plates toward the rear of the axle.
- 12¼" hydraulic brakes have view ports through the dust shield on the back of the assembly. Where the brake lining is visible in the view port, that will indicate the rear or secondary shoe which is always oriented toward the rear of the axle.
- Slipper springs have the spring eye at the front of the axle.
- Leaf spring axles with inner wiring have the wires exit the tube toward the rear of the axle.
- Torflex® axles have the wheel center trailing behind the axle tube.

Stub Axle Disclaimer

A stub axle is described as a trailer axle spindle, welded to a short length of tubing. Stub axles may be specified and purchased as plain spindle/tube weldments or they may be fully assembled wheel end units, with or without trailer brakes.

These incomplete axles are sold to manufacturers who wish to incorporate them into a variety of applications such as specialty vehicular axles, belt tensioning devices, machinery pivot points, etc. **Dexter Axle has no control of the design intent of these special applications and therefore cannot apply a rating or capacity to these components.**

The spindle/tube connection has been designed for suitable stress levels when used in a trailer axle, mounted to an approved suspension system and loaded to no more than the stated capacity. The use of all or part of the product for applications other than its intended purpose may not be appropriate. It is the customers' responsibility to determine the efficacy and safety of their particular application.

Torflex® axles can also be purchased as stub axles. This type of axle incorporates a self-contained suspension system. They can be specified as stub assemblies that will be rated for capacity when fitted with approved mounting brackets. The stated capacity will be based on the lowest rated component in each assembly.

These stub assemblies are essentially half axles that are intended to be mounted to the trailer chassis independent of each other. The trailer manufacturer must assume responsibility for the integrity of the attachment as well as the final wheel alignment since independent mounting puts these critical aspects out of Dexter's control. If used in pairs of unequal capacity, the trailer manufacturer should assign a Gross Axle Weight Rating of not more than two times the capacity of the lower rated sub assembly.

GAL-DEX™

GAL-DEX™ is a galvanic coating used for corrosion protection of equipment in marine applications and is available on popular hubs and hub-drums and attaching parts.

- GAL-DEX™ coating is a process that coats parts by overlapping zinc and aluminum flakes in an inorganic binder.
- Barrier protection – coating serves as a barrier between steel substrate and elements.
- Galvanic action – the zinc corrodes to protect the steel.
- Passivation – the metal oxide slows down the corrosion reaction (3 times greater protection than pure zinc).
- Self-repairing – coating migrates to damaged areas and restores barrier protection.
- Corrosion resistance – provides Salt Spray protection in excess of 1,000 hours.

Table of Contents



1000-2200 Lbs. Capacity	#9 Torflex® / D20 & M22 Leaf Spring	4
Torflex® Application Information		6
Leaf Spring Application Information		8
Hub Group		9
2300-3500 Lbs. Capacity	#10 Torflex® / D35 & M35 Leaf Spring	10
Torflex® Application Information		12
Leaf Spring Application Information		14
Hub Group		16
Brakes		17
3600-6000 Lbs. Capacity	#11 Torflex® / D52 & D60 Leaf Spring	19
Torflex® Application Information		20
Leaf Spring Application Information		22
Hub Group		24
Brakes		25
5500-7000 Lbs. Capacity	#12 Torflex® / D60 & D70 Leaf Spring	27
Torflex® Application Information		28
Leaf spring Application Information.....		30
Hub Group		32
Brakes		33
Miscellaneous		
Wheels and Tires		36
Hanger and Attaching Parts Kits.....		37
Torflex® Installation		39
Limited Warranty		41

General Applications



Axle Types

1000-2200 Lbs. Capacity

- Complete service manual
- Heavy duty 1 1/16" spindle design
- Precision machined steel spindles
- E-Z Lube® spindles standard
- Press-in wheel studs
- Optional hot dipped galvanized axle beam
- Optional GAL-DEX™ coated cast iron hub



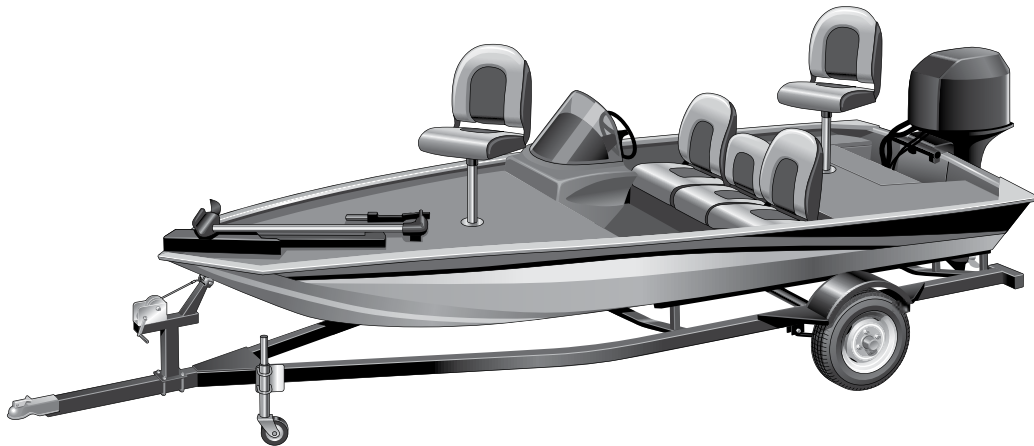
D20 LEAF SPRING



- Designed for light-capacity boat trailers
- Designed for trailers being towed by smaller automobiles
- High strength 1 3/4" diameter tube for straight axles and 2 3/8" for drops
- Straight or Drop spindles (4" drop only)
- High quality alloy steel springs in a variety of capacities
- Single, tandem, or triple axle assemblies with equalized suspensions
- Slipper spring or double eye leaf spring suspension
- Optional hanger and attaching parts kits available
- Durable, wear-resistant components
- Optional stainless steel wear sleeves for grease seal journal
- Available in drop center V-bend axle beam
- 2 year limited warranty

- Designed for boat trailer applications
- Totally rubber-cushioned for smooth, quiet, independent ride
- Easy installation with less maintenance
- Less transfer of road shock which insulates cargo from road shocks and vibration
- Rubber cords compounded for maximum dependability and durability
- Load-carrying cross member
- Self-damping action
- Independent wheel suspension system
- 5 year limited warranty on suspension system
- Low profile for maximum road clearance
- Various starting angles to control trailer height
- High and low profile brackets with optional mounting brackets available
- Rubber cushioning eliminates metal-to-metal contact
- Shock absorption provided by the natural hysteresis of rubber
- Single or tandem axle assemblies
- Durable, wear-resistant components
- Optional stainless steel wear sleeves for grease seal journal
- Available in drop center V-bend axle beam

CAUTION: Triple axle assemblies are NOT recommended for Torflex® axles.



Axle Types

2200 Lbs. Capacity

- Complete service manual
- Heavy duty 1 1/8" spindle design
- Precision machined steel spindles
- E-Z Lube® spindles standard
- Press-in wheel studs
- Hot dipped galvanized axle beam
- GAL-DEX™ coated cast iron hub

M22 LEAF SPRING



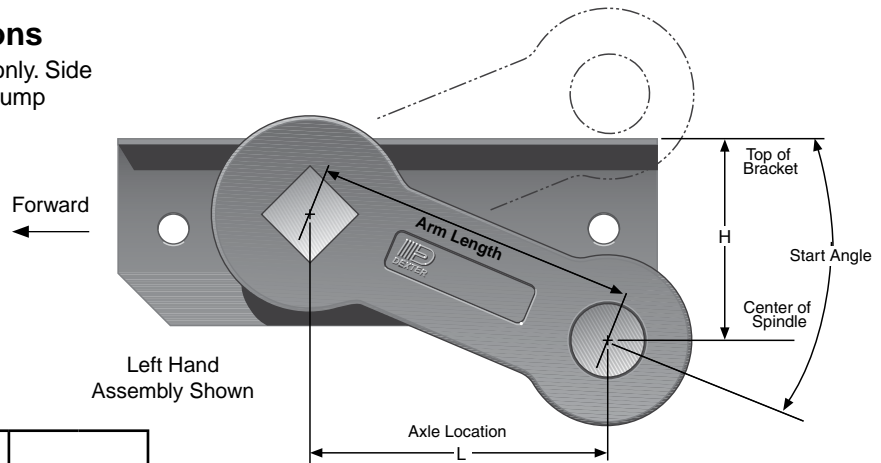
2200 Lbs. Capacity

- Designed for light capacity boat trailers and for trailers being towed by smaller vehicles
- High strength 2" square galvanized tubing
- Straight E-Z Lube® spindles only
- High quality alloy steel springs in a variety of capacities
- Single, tandem, or triple axle assemblies with equalized suspensions
- Slipper spring or double eye leaf spring suspension
- Optional hanger and attaching parts kits available
- Durable wear-resistant components
- Optional stainless steel wear sleeves for grease seal journal
- Available in drop center V-bend axle beam
- 2 year limited warranty



Articulation Dimensions

Dimensions are for top mount only. Side mount is .18" higher. Allow 3" bump clearance from full load.



Start Angle	Bracket Profile	No Load		Full Load		Shock Load	
		H	L	H	L	H	L
45° Down	Low	5.46	4.24	3.52	5.54	2.52	5.86
	High	6.33	4.24	4.38	5.54	3.38	5.86
22.5° Down	Low	3.52	5.54	1.22	6.00	0.18	5.91
	High	4.38	5.54	2.00	6.00	1.04	5.91
10° Down	Low	2.26	5.91	-0.08	5.86	-1.08	5.54
	High	3.13	5.91	0.79	5.86	-0.21	5.54
0°	Low	1.22	6.00	-1.08	5.54	-2.00	5.06
	High	2.09	6.00	-0.21	5.54	-1.14	5.06
10° Up	Low	0.18	5.91	-2.00	5.06	-2.83	4.42
	High	1.04	5.91	-1.14	5.06	-1.97	4.42
22.5° Up	Low	-1.08	5.54	-3.02	4.24	-3.70	3.44
	High	-0.21	5.54	-2.16	4.24	-2.83	3.44

#9 Overhang Per Side

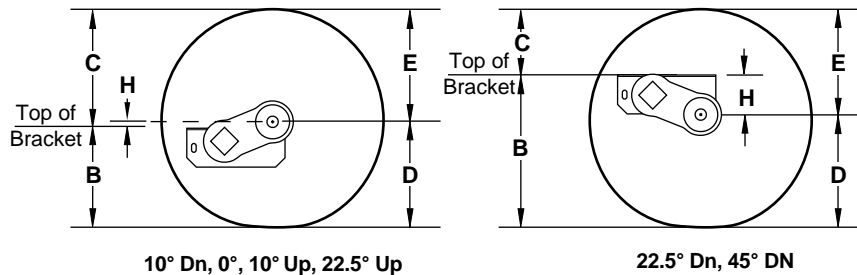
Spindle	Min.	Max.
Short	6.00"	10.90"
Standard	6.50"	10.90"

Note: Positive numbers in the H column indicate the spindle is BELOW the top of the bracket. Conversely, negative numbers are ABOVE the top of the bracket.



Full Load Dimensions

Dimensions are for low profile, top mount only. High profile brackets are .88" higher. Side mount is .18" higher. Allow 3" bump clearance from full load.



Start Angle

Tire	* D	** E	45° Down			22.5° Down			10° Down			0°			10° Up			22.5° Up		
			H	B	C	H	B	C	H	B	C	H	B	C	H	B	C			
ST175/80R13	11.2	12.0	3.5	14.7	8.5	1.2	12.4	10.8	-0.1	11.1	12.1	-1.1	10.1	13.1	-2.0	9.2	14.0	-3.0	8.2	15.0
4.80-8	7.9	8.8	3.5	11.4	5.3	1.2	9.1	7.6	-0.1	7.8	8.9	-1.1	6.8	9.9	-2.0	5.9	10.8	-3.0	4.9	11.8
4.80-12	9.5	10.8	3.5	13.0	7.3	1.2	10.7	9.6	-0.1	9.4	10.9	-1.1	8.4	11.9	-2.0	7.5	12.8	-3.0	6.5	13.8
20.5 x 8.0-10	9.7	10.8	3.5	13.2	7.3	1.2	10.9	9.6	-0.1	9.6	10.9	-1.1	8.6	11.9	-2.0	7.7	12.8	-3.0	6.7	13.8

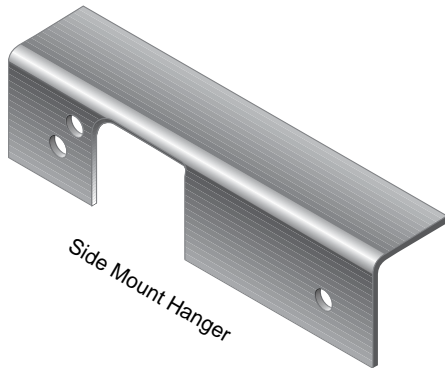
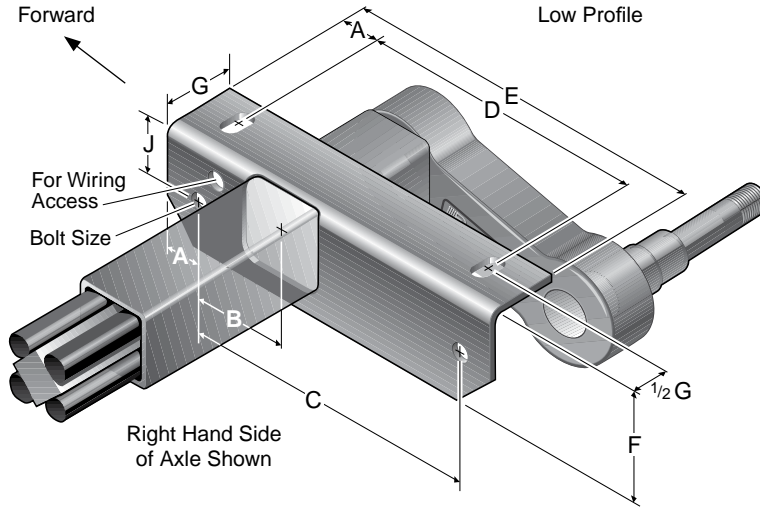
Columns D and E are dimensional examples only:

* D – Static Loaded Radius

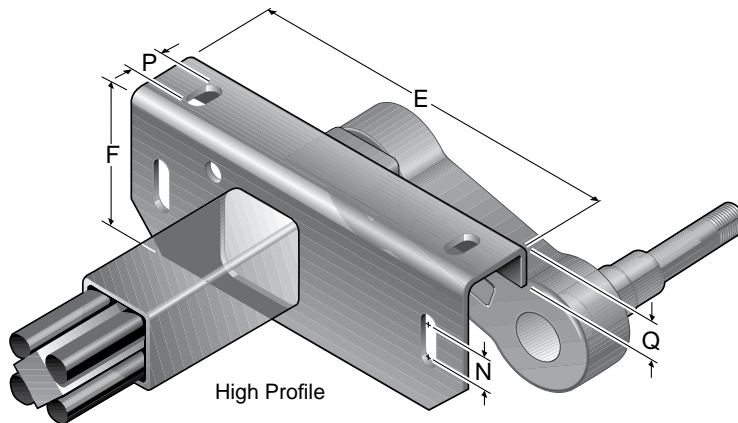
** E – Inflated Radius



9 Bracket Dimensions



#9 Bracket Dimensions		
	Low	High
A	1.00	1.00
B	2.38	2.38
C	8.00	8.00
D	7.75	7.75
E	10.00	10.00
F	2.88	3.75
G	2.00	2.00
J	1.57	1.57
N	----	.86
P	----	.94
Q	----	1.00
Bolt Size	1/2" bolt	
Tube Size	2.17	2.17



Leaf Spring Application Information



Double Eye Springs

For Standard 33" Axle Spacing
 Single A/P-122-50
 Tandem A/P-233-50
 Triple A/P-335-50

	Spring Length		
	21"	24"	26"
A	19.62	23.50	25.75
B	25.00	27.50	29.50
C	28.75	31.00	33.00
D	10.62	12.00	13.00
E	28.75	31.00	33.00

M22 Overhang Per Side

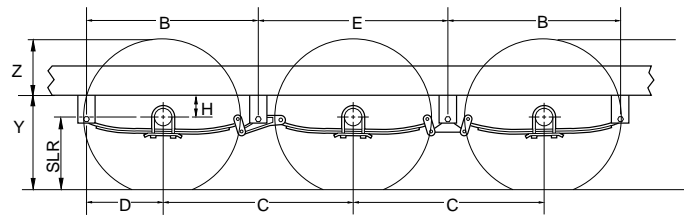
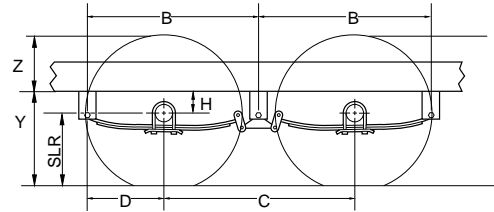
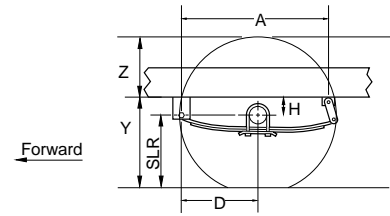
	Min.	Max.
Straight	6.50"	9.00"

D20 Overhang Per Side

	Min.	Max.
Straight	5.75"	7.62"
Drop	7.62"	9.00"

A, B, E – Hanger Spacing
 C – Axle Spacing
 D – Axle Location
 H – Center of Spindle
 Y – Frame Height
 Z – Top of Tire to Bottom of Frame
 SLR – Static Load Radius

To determine these values, contact your local sales engineer or distributor to run ProSpec™.



Double Eye Axle Assemblies

Hanger Kits

Part No.	Description	Height	Quantity Per Kit				
			HGR-104-00	HGR-105-00	HGR-248-00	HGR-249-00	HGR-348-00
028-005-00	Hanger	3.25"	2	---	4	2	4
028-006-00	Front Hanger	1.44"	---	2	---	---	---
029-008-00	Front Hanger	2.06"	---	---	---	4	---
029-031-00	Center Hanger	3.62"	---	---	2	---	4
030-020-00	Rear Hanger	.91"	2	2	---	---	---

Attaching Parts Kits

Part No.	Description	Quantity		
		A/P-122-50	A/P-233-50	A/P-335-50
006-092-50	Flange Locknut	6	14	22
007-126-50	Shackle Bolt	2	6	10
013-104-50	Equalizer	---	2	2
013-105-50	Equalizer	---	---	2
018-011-50	Shackle Link	---	4	6
018-012-50	Shackle Link, Long	2	---	---
018-020-50	Shackle Link Assembly	---	4	6
018-021-50	Shackle Link Assembly, Long	2	---	---

Slipper Spring Axle Assemblies

Hanger Kits

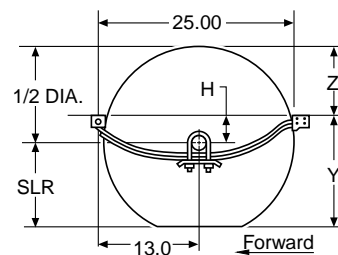
Part No.	Description	Ht.	HGR-115-00
028-039-00	Front Hanger	3.25"	2
030-037-00	Rear Hanger	1.44"	2

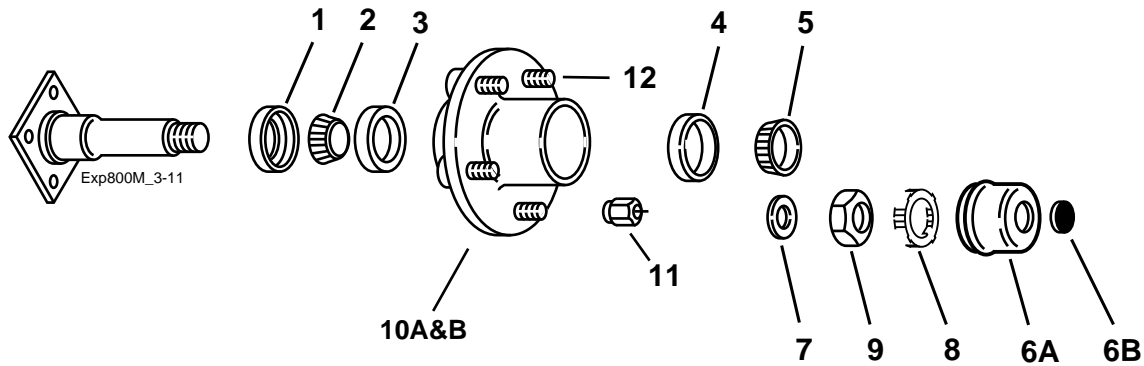
Attaching Parts Kits

Part No.	Description	A/P-115-00
006-092-01	Locknut	2
007-126-00	Shackle Bolt	2

Some combinations of hangers and spring mountings may result in insufficient bump clearance. Refer to the Miscellaneous section for additional hanger kits, A/P kits, or other tires.

Slipper Springs A/P-115-50





Grease Lube Parts

Item	Part No.	Description
1	010-060-00	Grease Seal for E-Z Lube®
2	031-031-02	L44649 Inner Bearing Cone
3	031-031-01	L44610 Inner Bearing Cup
4	031-031-01	L44610 Outer Bearing Cup
5	031-031-02	L44649 Outer Bearing Cone
6A	021-041-01	Grease Cap for E-Z Lube®
6B	085-001-00	Rubber Plug for E-Z Lube®
7	005-023-00	Spindle Washer for E-Z Lube®
8	006-190-00	Spindle Nut Retainer for E-Z Lube®
9	006-191-00	Special Jam Nut for E-Z Lube®

Note: Spindle is not available for resale.

Hubs

Item	Part No.	Description	Bolt Circle
Plain Hubs			
10A	008-259-50	½" Studs, 8"-12" wheels ONLY	5 on 4.50
10B	008-258-50	½" Studs, 13"-15" wheels ONLY	5 on 4.50

Studs & Wheel Nuts

Item	Part No.	Description
11	006-080-00	½-20 60° Cone Nut
12	007-246-01	½-20 Pressed Wheel Stud, Zinc Dichromate



General Applications

2300 - 3500 LBS. CAPACITY



Axle Types

2300-3500 Lbs. Capacity

- Complete service manual
- Precision machined steel spindles
- Press-in wheel studs
- Corrosion resistant hydraulic free backing brakes available
- Hydraulic disc brakes available
- E-Z Lube® spindles standard
- Optional hot dipped galvanized axle beam
- Optional GAL-DEX™ coated cast iron hub

D35 LEAF SPRING

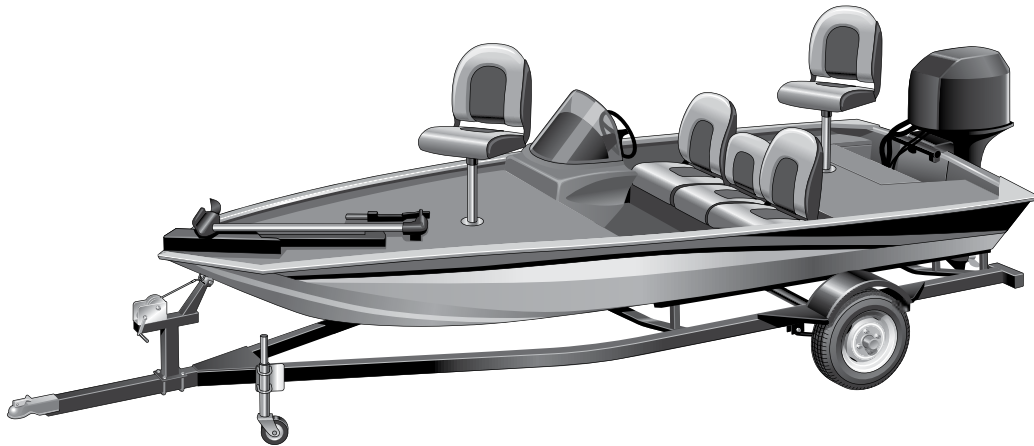


- Totally rubber-cushioned for smooth, quiet, independent ride
- Easy installation with less maintenance
- Less transfer of road shock which insulates cargo from road shocks and vibration
- Rubber cords compounded for maximum dependability and durability
- Load-carrying cross member
- Self-damping action
- Independent wheel suspension system
- 5 year limited warranty on suspension system
- Low profile for maximum road clearance
- Various starting angles to control trailer height
- High and low profile brackets with optional mounting brackets available
- Rubber cushioning eliminates metal-to-metal contact
- Shock absorption provided by the natural hysteresis of rubber
- Single or tandem axle assemblies
- Durable, wear-resistant components
- Optional stainless steel wear sleeves for grease seal journal
- Available in drop center V-bend axle beam

- Straight or Drop spindles (4" and 6" drop)
- High strength 2 3/8" diameter tube
- High quality alloy steel springs in a variety of capacities
- Single, tandem, or triple axle assemblies with equalized suspensions
- Slipper spring or double eye leaf spring suspension
- Optional hanger and attaching parts kits available
- Durable, wear-resistant components
- Optional stainless steel wear sleeves for grease seal journal
- Available in drop center V-bend axle beam
- 2 year limited warranty



CAUTION: Triple axle assemblies are NOT recommended for Torflex® axles.



Axle Types

3500 Lbs. Capacity

- Complete service manual
- Precision machined steel spindles
- Press-in wheel studs
- Corrosion resistant hydraulic free backing brakes available
- Hydraulic disc brakes available
- E-Z Lube® spindles standard
- Hot dipped galvanized axle beam
- GAL-DEX™ coated cast iron hub

M35 LEAF SPRING



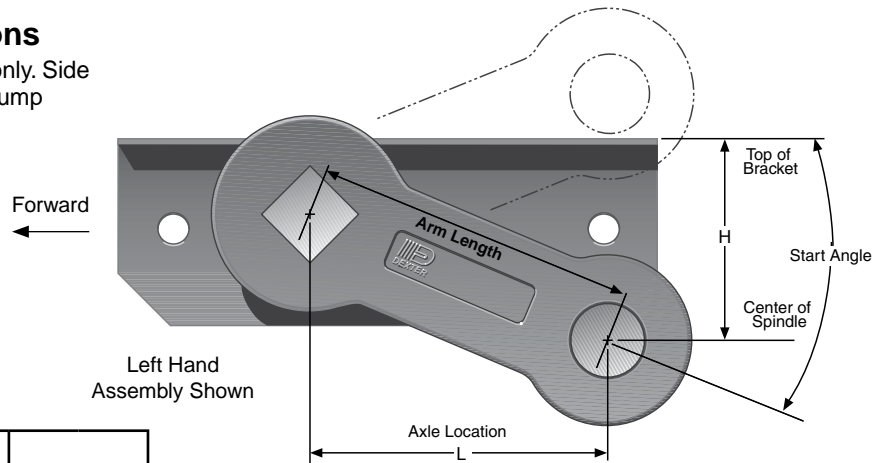
3500 Lbs. Capacity

- Straight E-Z Lube® spindles only
- High strength 2" square galvanized tubing
- High quality alloy steel springs in a variety of capacities
- Single, tandem, or triple axle assemblies with equalized suspensions
- Slipper spring or double eye leaf spring suspension
- Optional hanger and attaching parts kits available
- Durable wear-resistant components
- Optional stainless steel wear sleeves for grease seal journal
- Available in drop center V-bend axle beam
- 2 year limited warranty



Articulation Dimensions

Dimensions are for top mount only. Side mount is .18" higher. Allow 3" bump clearance from full load.



Start Angle	Bracket Profile	No Load		Full Load		Shock Load	
		H	L	H	L	H	L
45° Down	Low	5.73	4.24	3.79	5.54	2.79	5.86
	High	6.55	4.24	4.61	5.54	3.61	5.86
22.5° Down	Low	3.79	5.54	1.49	6.00	0.45	5.91
	High	4.61	5.54	2.31	6.00	1.27	5.91
10° Down	Low	2.53	5.91	0.19	5.86	-0.81	5.54
	High	3.35	5.91	1.01	5.86	0.01	5.54
0°	Low	1.49	6.00	-0.81	5.54	-1.73	5.06
	High	2.31	6.00	0.01	5.54	-0.91	5.06
10° Up	Low	0.45	5.91	-1.73	5.06	-2.56	4.42
	High	1.27	5.91	-0.91	5.06	-1.74	4.42
22.5° Up	Low	-0.81	5.54	-2.75	4.24	-3.43	3.44
	High	0.01	5.54	-1.93	4.24	-2.60	3.44

#10 Overhang Per Side

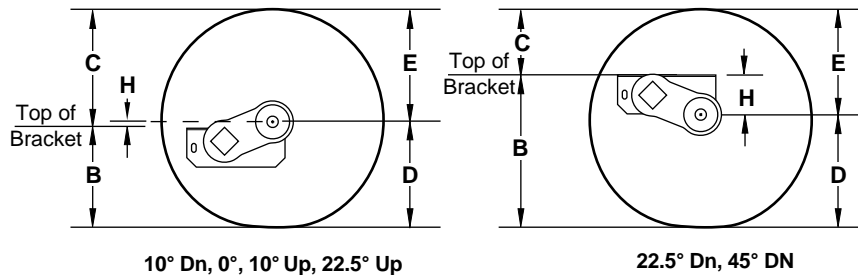
Spindle	Min.	Max.
Standard	6.30"	11.80"
Disc Brake	6.56"	11.80"

Note: Positive numbers in the H column indicate the spindle is BELOW the top of the bracket. Conversely, negative numbers are ABOVE the top of the bracket.



Full Load Dimensions

Dimensions are for low profile, top mount only. High profile brackets are .82" higher. Side mount is .18" higher. Allow 3" bump clearance from full load.



Start Angle

Tire	* D	** E	45° Down			22.5° Down			10° Down			0°			10° Up			22.5° Up		
			H	B	C	H	B	C	H	B	C	H	B	C	H	B	C			
ST175/80R13	11.2	12.0	3.8	15.0	8.2	1.5	12.7	10.5	0.2	11.4	11.8	-0.8	10.4	12.8	-1.7	9.5	13.7	-2.8	8.4	14.8
ST205/75R14	12.1	13.1	3.8	15.9	9.3	1.5	13.6	11.6	0.2	12.3	12.9	-0.8	11.3	13.9	-1.7	10.4	14.8	-2.8	9.3	15.9
ST225/75R15	13.0	14.4	3.8	16.8	10.6	1.5	14.5	12.9	0.2	13.2	14.2	-0.8	12.2	15.2	-1.7	11.3	16.1	-2.8	10.2	17.2

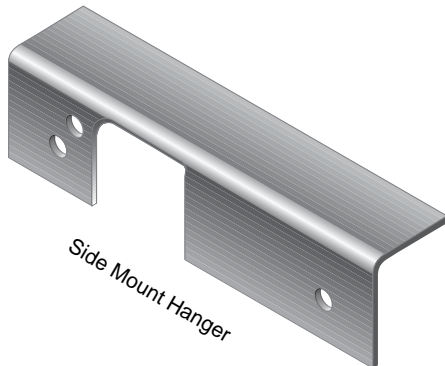
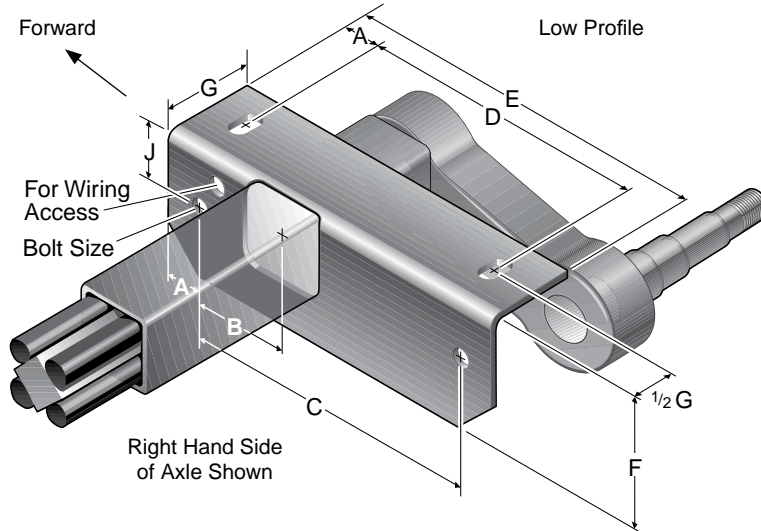
Columns D and E are dimensional examples only:

* D – Static Loaded Radius

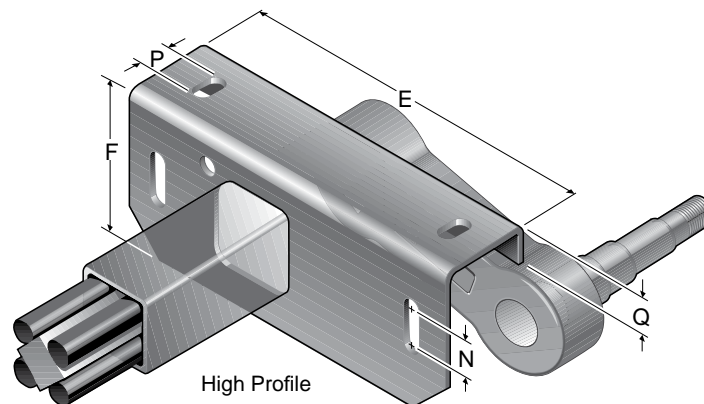
** E – Inflated Radius



10 Bracket Dimensions



#10 Bracket Dimensions		
	Low	High
A	1.00	1.00
B	2.50	2.50
C	8.00	8.00
D	8.00	8.00
E	10.00	10.00
F	3.43	4.25
G	2.50	2.50
J	1.62	1.62
N	----	1.03
P	----	1.00
Q	----	1.00
Bolt Size	5/8" bolt	
Tube Size	2.62	2.62



Leaf Spring Application Information



Double Eye Springs

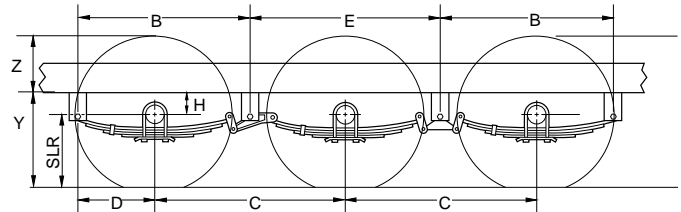
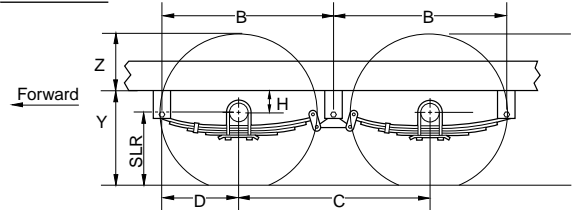
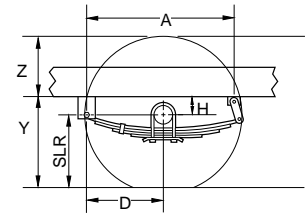
For Standard 33" Axle Spacing
 Single A/P-122-50
 Tandem A/P-233-50
 Triple A/P-335-50

	Spring Length		
	21"	24"	26"
A	19.62	23.50	25.75
B	25.00	27.50	29.50
C	28.75	31.00	33.00
D	10.62	12.00	13.00
E	28.75	31.00	33.00

D35 Overhang Per Side

	Min.	Disc.*	Max.
Straight	5.62"	7.5"	9.00"
4" Drop	7.00"	7.5"	9.00"
6" Drop	7.87"	7.87"	9.00"
3" Dia. Straight	5.62"	7.5"	11.50"
3" Dia. Drop	7.00"	7.5"	11.50"
Nev-R-Lube®	5.31"	----	9.00"

* Minimum overhang with disc brakes



M35 Overhang Per Side

	Min.	Max.
Straight	6.19"	9.00"

Double Eye Axle Assemblies

Hanger Kits

Part No.	Description	Height	Quantity Per Kit				
			HGR-104-00	HGR-105-00	HGR-248-00	HGR-249-00	HGR-348-00
028-005-00	Hanger	3.25"	2	----	4	2	4
028-006-00	Front Hanger	1.44"	----	2	----	----	----
029-008-00	Front Hanger	2.06"	----	----	----	4	----
029-031-00	Center Hanger	3.62"	----	----	2	----	4
030-020-00	Rear Hanger	.91"	2	2	----	----	----

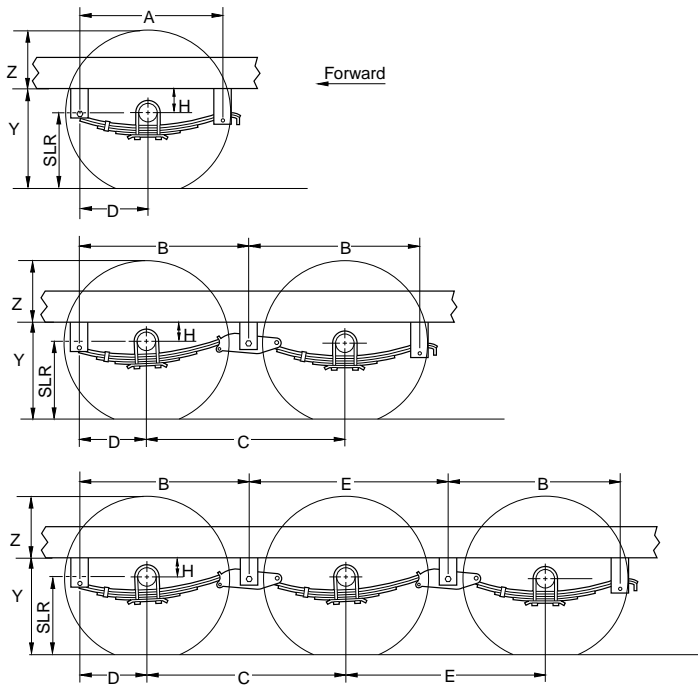
Attaching Parts Kits

Part No.	Description	A/P-122-50	A/P-233-50	A/P-335-50
006-092-50	Flange Locknut	6	14	22
007-126-50	Shackle Bolt	2	6	10
013-104-50	Equalizer	----	2	2
013-105-50	Equalizer	----	----	2
018-011-50	Shackle Link	----	4	6
018-012-50	Shackle Link, Long	2	----	----
018-020-50	Shackle Link Assembly	----	4	6
018-021-50	Shackle Link Assembly, Long	2	----	----

Leaf Spring Application Information



2300 - 3500 LBS. CAPACITY



Slipper Springs			
	Single A/P-103-50	Tandem A/P-202-50 [§]	Triple A/P-302-50 [§]
A	24.0	----	----
B	----	28.8	28.8
C	----	33.5	33.5
D	11.5	11.5	11.5
E	----	----	33.0

Note: All 2" wide slipper springs
 § For 33.5" axle spacing

A, B, E – Hanger Spacing
 C – Axle Spacing
 D – Axle Location
 H – Center of Spindle
 Y – Frame Height
 Z – Top of Tire to Bottom of Frame
 SLR – Static Load Radius

To determine these values, contact your local sales engineer or distributor to run ProSpec™.

Slipper Spring Axle Assemblies

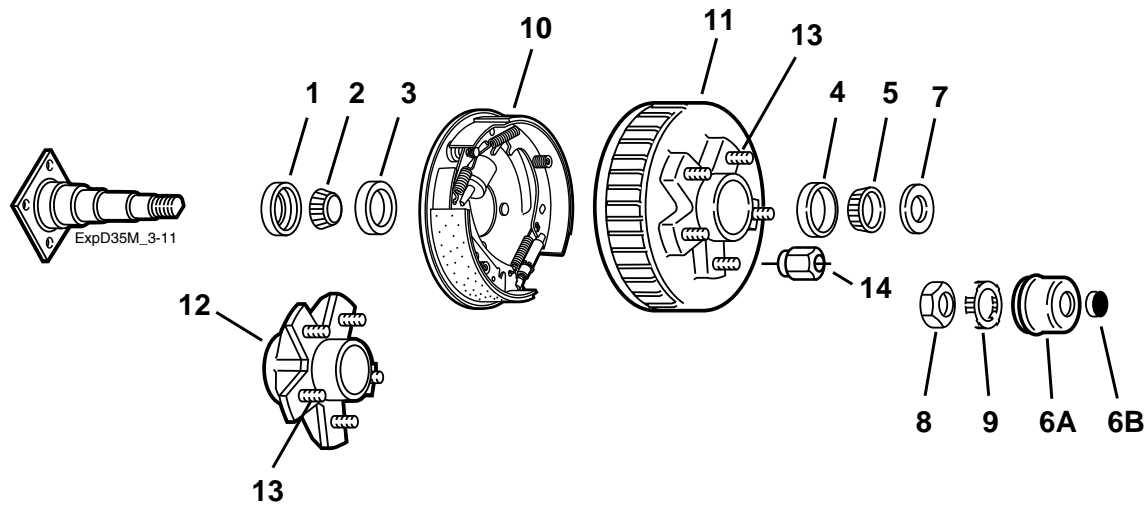
Hanger Kits			Quantity Per Kit		
Part No.	Description	Height	HGR-110-00	HGR-202-00	HGR-302-00
028-001-00	Front Hanger	4.25"	2	2	2
029-001-00	Center Hanger	3.50"	----	2	4
030-028-00	Rear Hanger	4.00"	2	2	2

Attaching Parts Kits			A/P-103-50	A/P-202-50 [§]	A/P-302-50 [§]
Part No.	Description				
006-007-01	1/16-18 Locknut		2	4	6
006-011-50	Keeper Nut		2	4	6
006-111-50	Equalizer Nut		----	2	4
007-001-51	Equalizer Bolt		----	2	4
007-007-50	Keeper Bolt		2	4	6
007-017-50	Spring Eye Bolt		2	4	6
013-004-50	Equalizer		----	2	4

§ For 33.5" axle spacing

Some combinations of hangers and spring mountings may result in insufficient bump clearance. Refer to the Miscellaneous section for additional hanger kits, A/P kits, or other tires.

545 Hub Group



Grease Lube Parts

Item	Part No.	Description
1	010-019-00	Grease Seal for E-Z Lube®
2	031-033-02	L68149 Inner Bearing Cone
3	031-033-01	L68111 Inner Bearing Cup
4	031-031-01	L44610 Outer Bearing Cup
5	031-031-02	L44649 Outer Bearing Cone
6A	021-041-01	Grease Cap for E-Z Lube®
6B	085-001-00	Rubber Plug for E-Z Lube®
7	005-023-00	Spindle Washer
8	006-191-00	Special Jam Nut for E-Z Lube®
9	006-190-00	Spindle Nut Retainer for E-Z Lube®

10" x 2¼" Brakes

Item	Part No.	Description
10	K23-344-01/K23-345-01	LH/RH Hydraulic FB Corrosion Resistant

Note: Spindle is not available for resale.

Hubs

Item	Part No.	Description	Bolt Circle
Hubs and Drums			
11	008-247-50	½" Stud	5 on 4.50
Plain Hubs			
12	008-248-50	½" Stud	5 on 4.50

Studs & Wheel Nuts

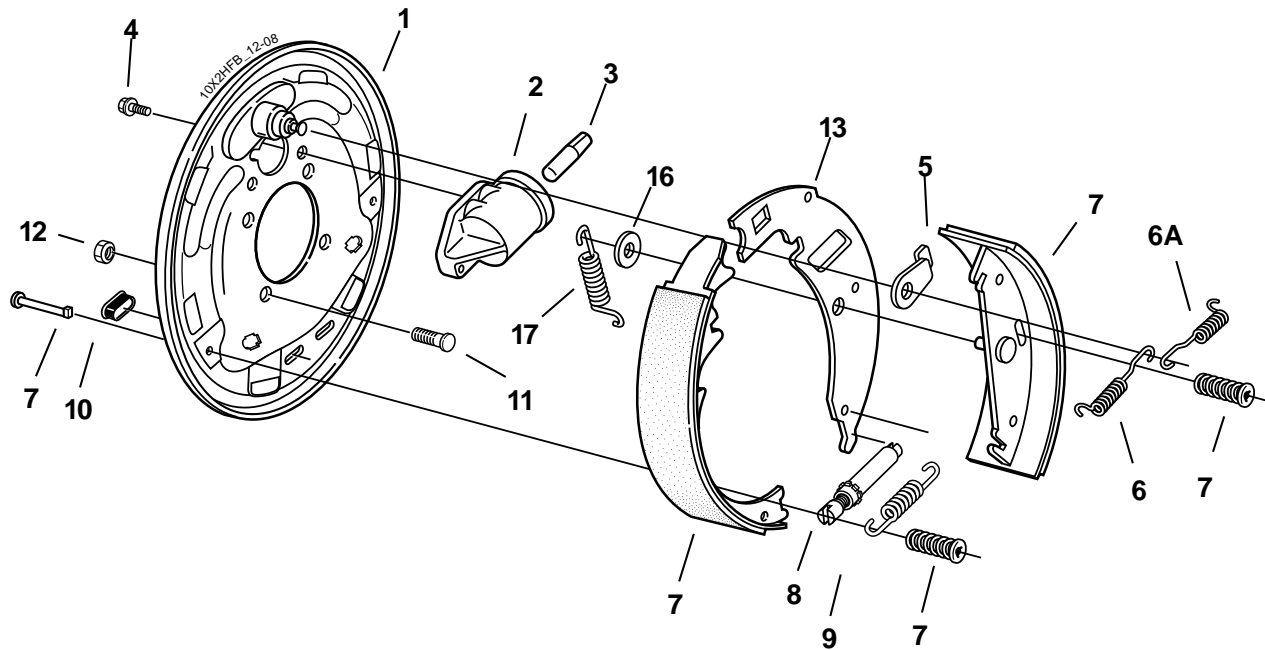
Item	Part No.	Description
13	007-150-00	½-20 Pressed Wheel Stud, Zinc Dichromate
14	006-080-00	½-20 60° Cone Nut

10" x 2¼" Hydraulic Brake Free Backing



CSA approved at 3500#/14.0 SLR; Uni-Servo

2300 - 3500 LBS. CAPACITY



Note: Uni-Servo brakes to be used with surge actuator

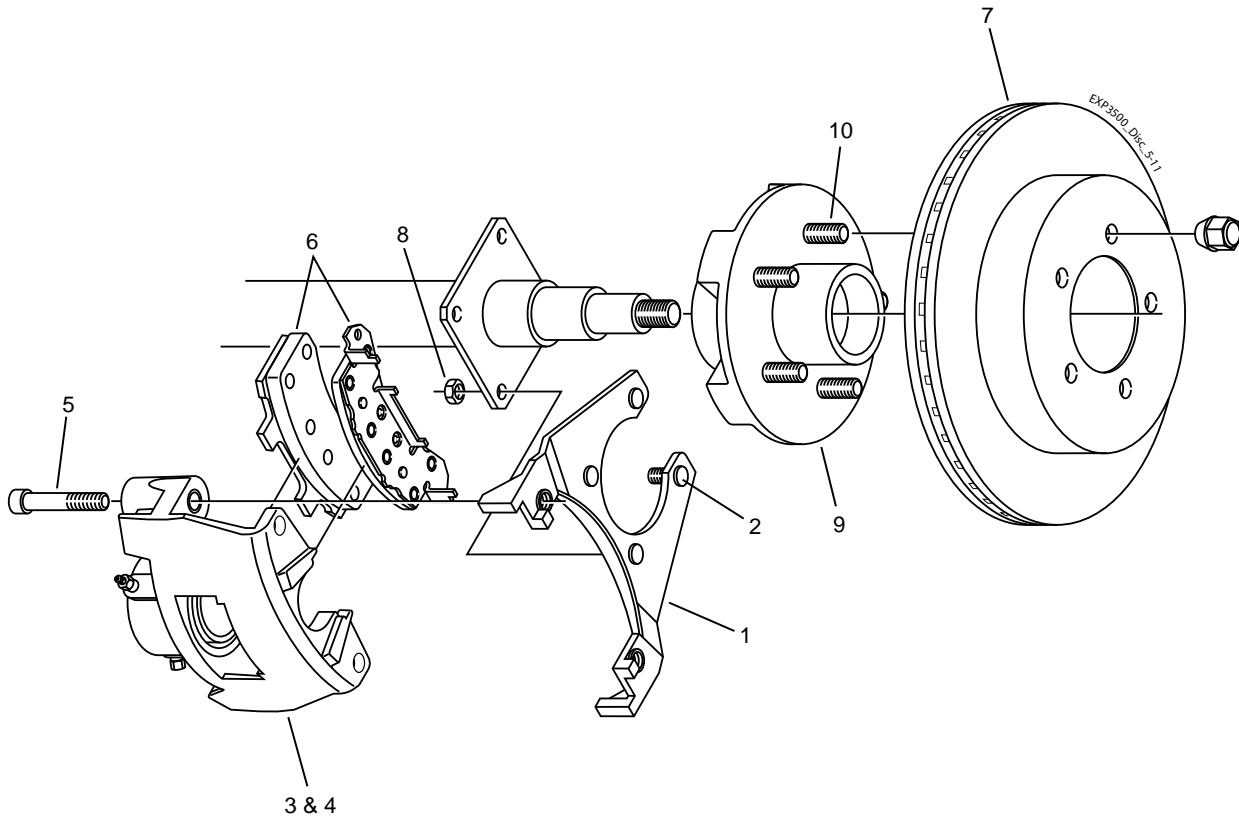
Hydraulic Free Backing Brake Corrosion Resistant

Item	Part No.	Qty/Brk	Description
0	K23-344-01	1	LH Complete Brake Assembly-FB
0	K23-345-01	1	RH Complete Brake Assembly-FB
1	036-094-04	1	Backing Plate Assembly (includes item #11)
2	054-064-01	1	LH Brake Cylinder Uni-Servo
2	054-065-01	1	RH Brake Cylinder Uni-Servo
3	054-060-00	1	Cylinder Push Rod
4	087-001-00	2	Sems (screw & washer assembly)
5	037-069-02	1	Travel Link
6	046-009-01	2	Retractor Spring
6A	046-107-03	1	Shoe Lever Return Spring
7	K71-423-00	1	Shoe & Lining Kit Contains: 1 #040-291-00 Primary Shoe & Lining 1 #040-211-00 Secondary Shoe & Lining 2 #046-077-00 Shoe Hold Down Spring & Cup 2 #049-002-00 Shoe Hold Down Pin #8
8	043-004-02	1	Adjuster Assembly
9	046-083-01	1	Adjusting Screw Spring
10	046-007-00	1	Adjuster Slot Plug
11	007-041-00	4	Brake Mounting Bolt - Press-in
*12	006-017-00	4	Brake Mounting Nut
13	040-240-02	1	Shoe Lever
16	005-064-00	1	Washer
17	046-108-03	1	Primary Shoe Return Spring
ns	054-089-00	1	Bleeder Screw (included with item #2)

ns - not shown

* Not included with complete brake assembly. Item sold separately.

Disc Brake for 3,500 Lb. Axles



Disc Brake 3500#

Item	Part No.	Qty/Brk	Description
1	090-004-01	1	Anchor Yoke Assembly (includes item #2)
2	007-041-00	4	Brake Mounting Bolt - Press-in
3	K71-624-00	1	LH Caliper Assembly Kit (includes items #5, 6)
4	K71-625-00	1	RH Caliper Assembly Kit (shown) (includes items #5, 6)
5	007-256-00	2	Caliper Mounting Bolt
6	K71-623-00	1	Brake Pad Kit (axle set)
7	K71-626-00	1	Rotor Kit
8	006-017-00	4	Yoke Mounting Nut
ns	054-097-00	1	Bleed Screw & Adapter (service part only)

Disc Brake Hubs & Studs

Item	Part No.	Qty/Brk	Description
9	008-248-22	1	1/2" Stud 5 on 4.50
10	007-150-00	5	1/2-20 x 2.09" Wheel Stud
ns	054-095-00	1	Bleeder Screw (included with items #3, 4)

ns - not shown



Axle Types

3600-6000 Lbs. Capacity

- Complete service manual
- Precision machined steel spindles
- Press-in wheel studs
- Corrosion resistant hydraulic free backing brakes are available
- E-Z Lube® spindles standard
- Optional hot dipped galvanized axle beam
- Optional GAL-DEX™ coated cast iron hub

D52 & D60 LEAF SPRING



- High strength 3" diameter tube
- Straight or Drop spindles (4" drop only)
- High quality alloy steel springs in a variety of capacities
- Single, tandem, or triple axle assemblies with equalized suspensions
- Slipper spring or double eye leaf spring suspension
- Optional hanger and attaching parts kits available
- Durable, wear-resistant components
- Optional stainless steel wear sleeves for grease seal journal
- Available in drop center V-bend axle beam
- 2 year limited warranty



- Totally rubber-cushioned for smooth, quiet, independent ride
- Easy installation with less maintenance
- Less transfer of road shock which insulates cargo from road shocks and vibration
- Rubber cords compounded for maximum dependability and durability
- Load-carrying cross member
- Self-damping action
- Independent wheel suspension system
- 5 year limited warranty on suspension system
- Low profile for maximum road clearance
- Various starting angles to control trailer height
- High and low profile brackets with optional mounting brackets available
- Rubber cushioning eliminates metal-to-metal contact
- Shock absorption provided by the natural hysteresis of rubber
- Single or tandem axle assemblies
- Durable, wear-resistant components
- Optional stainless steel wear sleeves for grease seal journal
- Available in drop center V-bend axle beam

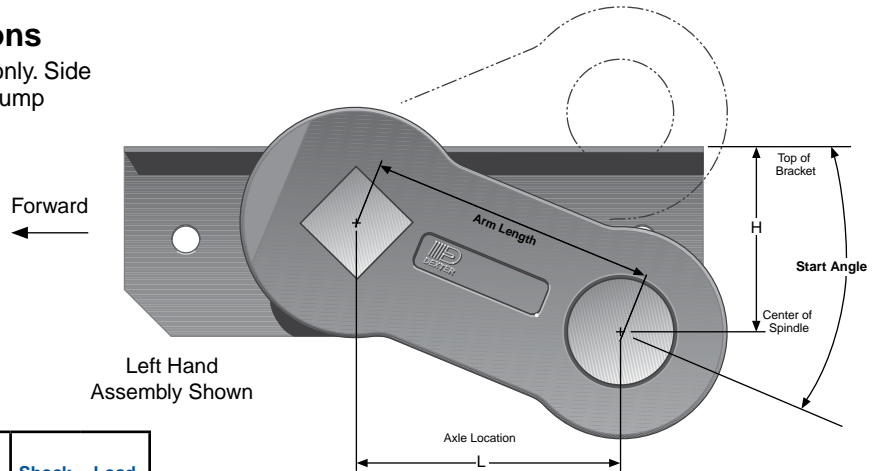


CAUTION: Triple axle assemblies are NOT recommended for Torflex® axles.



Articulation Dimensions

Dimensions are for top mount only. Side mount is .25" higher. Allow 3" bump clearance from full load.



Start Angle	Bracket Profile	No Load		Full Load		Shock Load	
		H	L	H	L	H	L
45° Down	Low	6.01	4.24	4.06	5.54	3.06	5.86
	High	6.76	4.24	4.81	5.54	3.81	5.86
22.5° Down	Low	4.06	5.54	1.77	6.00	0.72	5.91
	High	4.81	5.54	2.52	6.00	1.47	5.91
10° Down	Low	2.81	5.91	0.47	5.86	-0.53	5.54
	High	3.56	5.91	1.22	5.86	0.22	5.54
0°	Low	1.77	6.00	-0.53	5.54	-1.46	5.06
	High	2.52	6.00	0.22	5.54	-0.71	5.06
10° Up	Low	0.72	5.91	-1.46	5.06	-2.29	4.42
	High	1.47	5.91	-0.71	5.06	-1.54	4.42
22.5° Up	Low	-0.53	5.54	-2.48	4.24	-3.15	3.44
	High	0.22	5.54	-1.73	4.24	-2.40	3.44

#11 Overhang Per Side

Spindle	Min.	Disc.*	Max.
Short	7.00"	7.50"	10.22"
Standard	7.50"	7.50"	10.22"

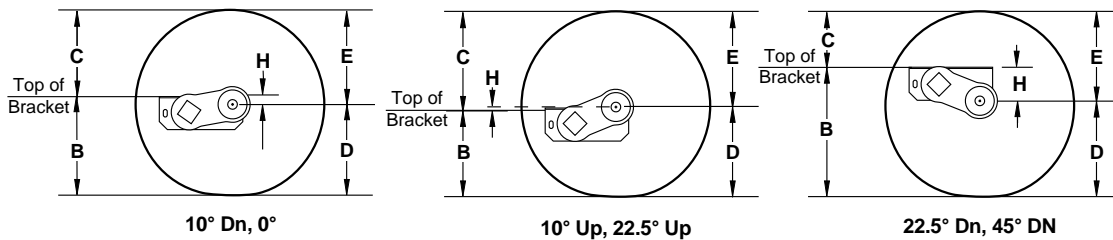
* Minimum overhang with disc brakes

Note: Positive numbers in the H column indicate the spindle is BELOW the top of the bracket. Conversely, negative numbers are ABOVE the top of the bracket.



Full Load Dimensions

Dimensions are for low profile, top mount only. High profile brackets are .75" higher. Side mount is .25" higher. Allow 3" bump clearance from full load.



Start Angle

Tire	* **		45° Down			22.5° Down			10° Down			0°			10° Up			22.5° Up		
	D	E	H	B	C	H	B	C	H	B	C	H	B	C	H	B	C	H	B	C
ST225/75R15	13.0	14.4	4.1	17.1	10.3	1.8	14.8	12.6	0.5	13.5	13.9	-0.5	12.5	14.9	-1.5	11.5	15.9	-2.5	10.5	16.9
LT235/85R16	14.3	15.4	4.1	18.4	11.3	1.8	16.1	13.6	0.5	14.8	14.9	-0.5	13.8	15.9	-1.5	12.8	16.9	-2.5	11.8	17.9
LT225/75R16	13.5	14.9	4.1	17.6	10.8	1.8	15.3	13.1	0.5	14.0	14.4	-0.5	13.0	15.4	-1.5	12.0	16.4	-2.5	11.0	17.4
8.75R16.5LT	13.8	14.8	4.1	17.9	10.7	1.8	15.6	13.0	0.5	14.3	14.3	-0.5	13.3	15.3	-1.5	12.3	16.3	-2.5	11.3	17.3

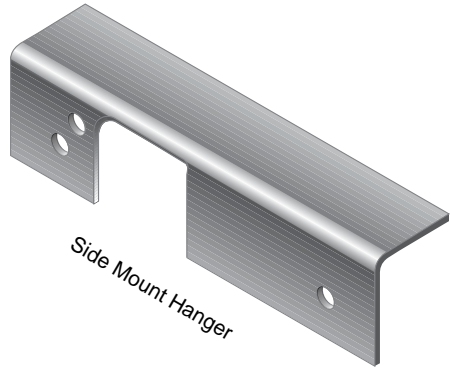
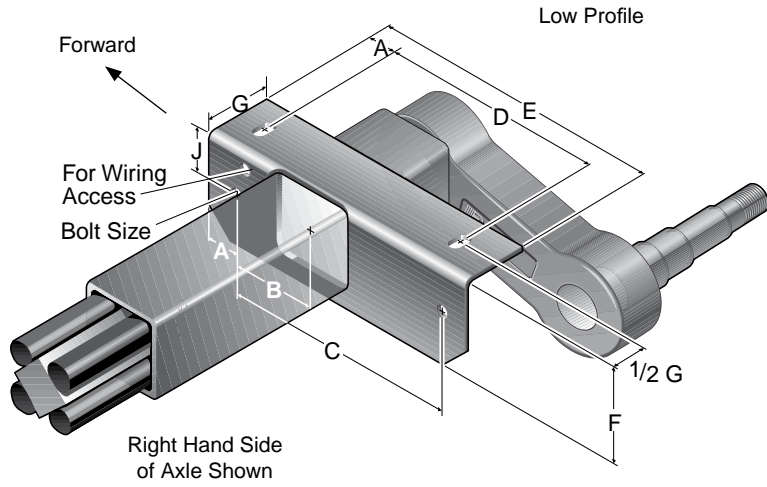
Columns D and E are dimensional examples only:

* D – Static Loaded Radius

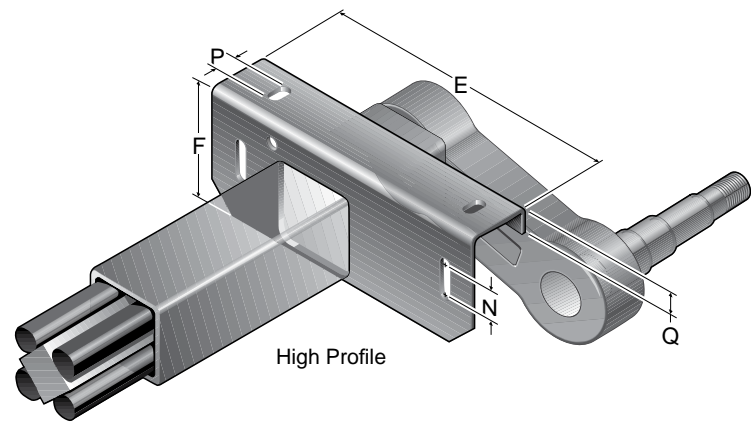
** E – Inflated Radius



11 Bracket Dimensions



#11 Bracket Dimensions		
	Low	High
A	.75	1.25
B	3.50	3.50
C	9.50	9.50
D	9.00	9.00
E	11.00	12.00
F	3.91	4.66
G	2.50	2.50
J	1.83	1.83
N	----	1.03
P	----	1.00
Q	----	1.00
Bolt Size	5/8" bolt	
Tube Size	3.03	3.03



Leaf Spring Application Information



Double Eye Springs

For Standard 33" Axle Spacing
 Single A/P-122-50
 Tandem A/P-233-50
 Triple A/P-335-50

	Spring Length		
	21"	24"	26"
A	19.62	23.50	25.75
B	25.00	27.50	29.50
C	28.75	31.00	33.00
D	10.62	12.00	13.00
E	28.75	31.00	33.00

D52 Overhang Per Side

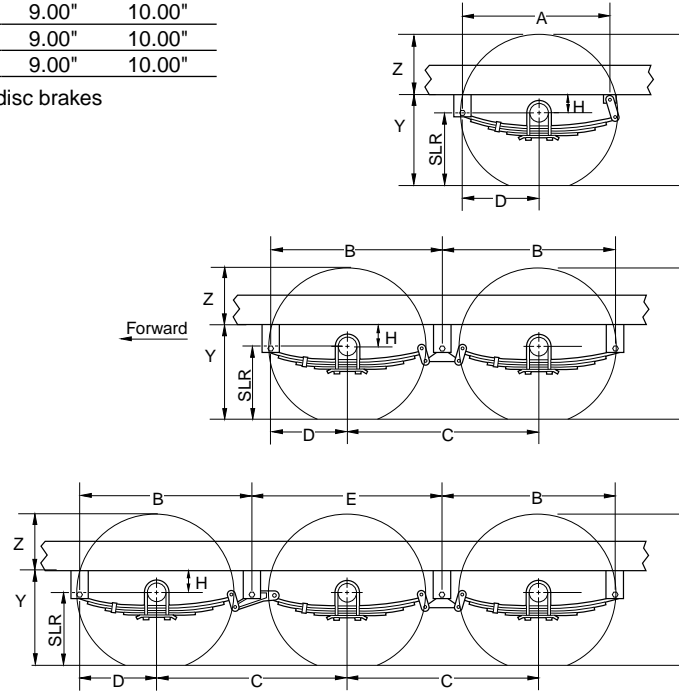
	Min.	Disc.*	Max.
Straight	6.63"	9.00"	9.50"
4" Drop	8.25"	9.00"	9.50"
Nev-R-Lube®	7.87"	----	9.50"

* Minimum overhang with disc brakes

D60 Overhang Per Side

	Min.	Disc.*	Max.
Straight	6.63"	9.00"	10.00"
4" Drop	8.25"	9.00"	10.00"
Nev-R-Lube®	7.87"	9.00"	10.00"

* Minimum overhang with disc brakes



Double Eye Axle Assemblies

Hanger Kits

Part No.	Description	Height	Quantity Per Kit				
			HGR-104-00	HGR-105-00	HGR-248-00	HGR-249-00	HGR-348-00
028-005-00	Hanger	3.25"	2	----	4	2	4
028-006-00	Front Hanger	1.44"	----	2	----	----	----
029-008-00	Front Hanger	2.06"	----	----	----	4	----
029-031-00	Center Hanger	3.62"	----	----	2	----	4
030-020-00	Rear Hanger	.91"	2	2	----	----	----

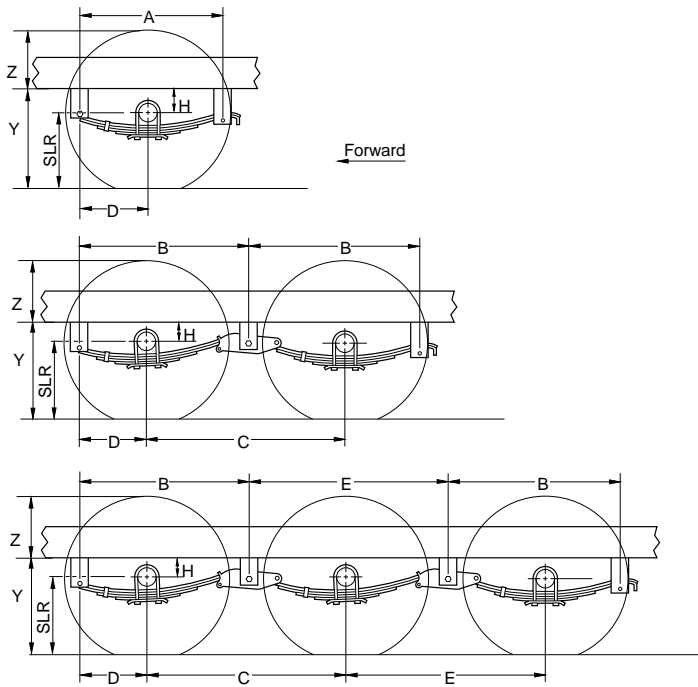
Attaching Parts Kits

Part No.	Description	Quantity Per Kit		
		A/P-122-50	A/P-233-50	A/P-335-50
006-092-50	Flange Locknut	6	14	22
007-126-50	Shackle Bolt	2	6	10
013-104-50	Equalizer	----	2	2
013-105-50	Equalizer	----	----	2
018-011-50	Shackle Link	----	4	6
018-012-50	Shackle Link, Long	2	----	----
018-020-50	Shackle Link Assembly	----	4	6
018-021-50	Shackle Link Assembly, Long	2	----	----

Leaf Spring Application Information



3600 - 6000 LBS. CAPACITY



Slipper Springs			
	Single A/P-103-50	Tandem A/P-202-50 [§]	Triple A/P-302-50 [§]
A	24.0	----	----
B	----	28.8	28.8
C	----	33.5	33.5
D	11.5	11.5	11.5
E	----	----	33.0

Note: All 2" wide slipper springs
§ For 33.5" axle spacing

A, B, E – Hanger Spacing
C – Axle Spacing
D – Axle Location
H – Center of Spindle
Y – Frame Height
Z – Top of Tire to Bottom of Frame
SLR – Static Load Radius

To determine these values, contact your local sales engineer or distributor to run ProSpec™.

Slipper Spring Axle Assemblies

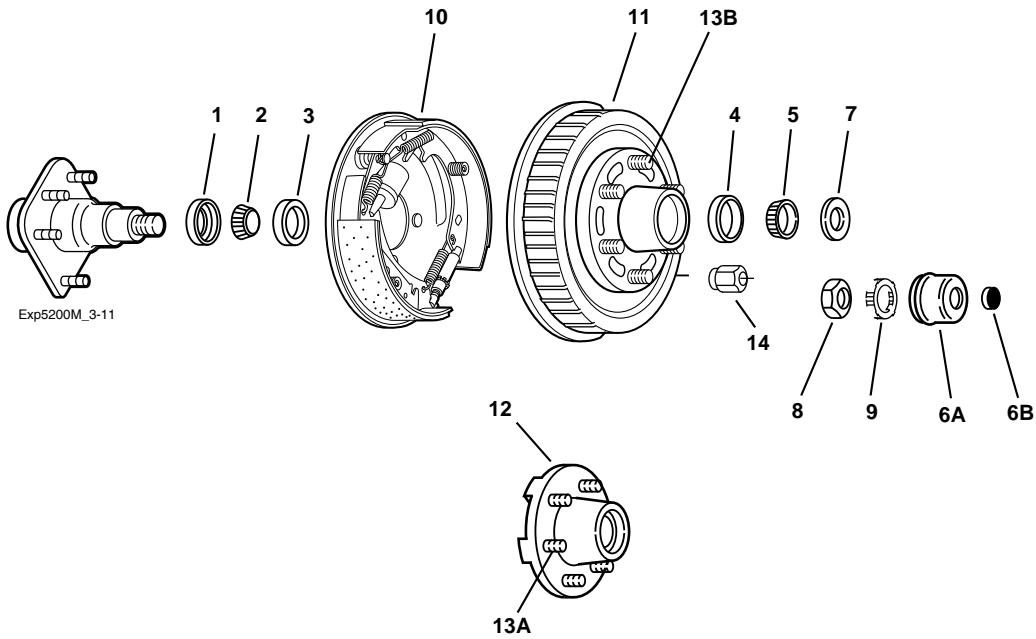
Hanger Kits			Quantity Per Kit		
Part No.	Description	Height	HGR-110-00	HGR-202-00	HGR-302-00
028-001-00	Front Hanger	4.25"	2	2	2
029-001-00	Center Hanger	3.50"	----	2	4
030-028-00	Rear Hanger	4.00"	2	2	2

Attaching Parts Kits			A/P-103-50	A/P-202-50 [§]	A/P-302-50 [§]
Part No.	Description				
006-007-01	1/16-18 Locknut		2	4	6
006-011-50	Keeper Nut		2	4	6
006-111-50	Equalizer Nut		----	2	4
007-001-51	Equalizer Bolt		----	2	4
007-007-50	Keeper Bolt		2	4	6
007-017-50	Spring Eye Bolt		2	4	6
013-004-50	Equalizer		----	2	4

§ For 33.5" axle spacing

Some combinations of hangers and spring mountings may result in insufficient bump clearance. Refer to the Miscellaneous section for additional hanger kits, A/P kits, or other tires.

655 Hub Group



Grease Lube Parts

Item	Part No.	Description
1	010-036-00	Grease Seal, E-Z Lube® Seal
2	031-030-02	25580 Inner Bearing cone
3	031-030-01	25520 Inner Bearing Cup
4	031-032-01	LM67010 Outer Bearing Cup (for 5200#)
5	031-032-02	LM67048 Outer Bearing Cone (for 5200#)
4	031-029-01	15245 Outer Bearing Cup (for 6000#)
5	031-029-02	15123 Outer Bearing Cone (for 6000#)
6A	021-042-01	Grease Cap for E-Z Lube®
ns	021-042-02	Grease Cap for E-Z Lube® Chrome Plated
6B	085-001-00	Rubber Plug for E-Z Lube®
7	005-023-00	Spindle Washer
8	006-191-00	Special Jam Nut for E-Z Lube®
9	006-190-00	Spindle Nut Retainer for E-Z Lube®

12" x 2" Brakes

Item	Part No.	Description
10	K23-342-01/K23-343-01	LH/RH Hydraulic FB Corrosion Resistant

ns - not shown

Note: Spindle is not available for resale.

Hubs

Item	Part No.	Description	Bolt Circle
Hubs and Drums			
11	008-201-50	½" Stud for 5200#	6 on 5.50
11	008-201-51	½" Stud 15123 bearing for 6000#	6 on 5.50
Plain Hubs			
12	008-213-50	½" Stud for 5200#	6 on 5.50
12	008-213-51	½" Stud 15123 bearing for 6000#	6 on 5.50

Studs & Wheel Nuts

Item	Part No.	Description
13A	007-150-00	½-20 Pressed Wheel Stud, Zinc Dichromate*
13B	007-262-01	½-20 Pressed Wheel Stud, Zinc Dichromate*
14	006-080-00	½-20 60° Cone Nut

* Stud length measured under head to end of stud.

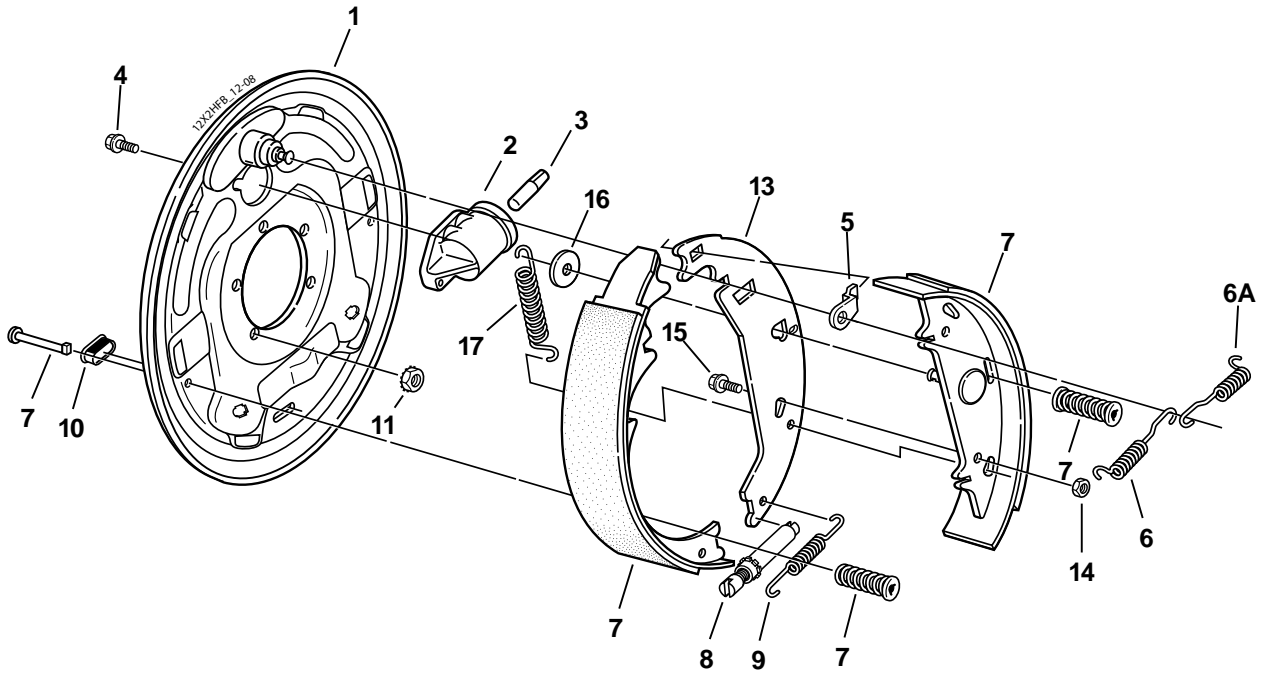
8 on 6.5 hubs are available on these axles.

See section in 5500-7000 lbs. capacity.

12" x 2" Hydraulic Brake Free Backing



3600 - 6000 LBS. CAPACITY



Note: Uni-Servo brakes to be used with surge actuator

Hydraulic Free Backing Brake Corrosion Resistant

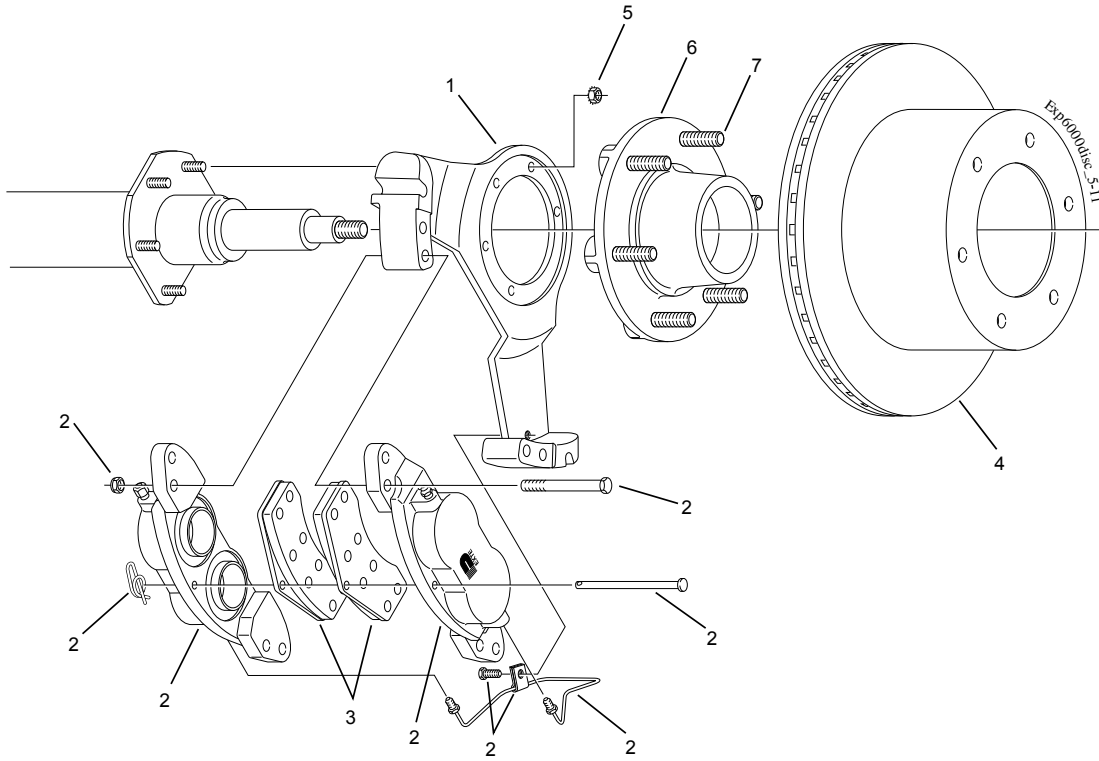
Item	Part No.	Qty/Brk	Description
0	K23-342-01	1	LH Complete Brake Assembly
0	K23-343-01	1	RH Complete Brake Assembly
1	036-093-09	1	Backing Plate Assembly
2	054-064-01	1	LH Brake Cylinder Uni-Servo
2	054-065-01	1	RH Brake Cylinder Uni-Servo
3	054-060-00	1	Cylinder Push Rod
4	087-001-00	2	Sems (screw & washer assembly)
5	037-069-02	1	Travel Link
6	046-101-00	1	Retractor Spring
6A	046-107-03	1	Shoe Lever Return Spring
7	K71-427-00	1	LH Shoe & Lining Kit Contains:
	1 #040-243-06		LH Primary Shoe & Lining
	1 #040-315-06		LH Secondary Shoe & Lining
	1 #046-077-01		Shoe Hold Down Spring & Cup-Sec.
	2 #035-001-00		Shoe Hold Down Cup-Primary
	1 #046-006-01		Shoe Hold Down Spring & Cup-Prim.
	1 #049-013-00		Shoe Hold Down Pin #1-Primary
	1 #049-002-00		Shoe Hold Down Pin #8-Sec.
7	K71-428-00	1	RH Shoe & Lining Kit Contains:
	1 #040-243-07		RH Primary Shoe & Lining
	1 #040-315-05		RH Secondary Shoe & Lining
	1 #046-077-01		Shoe Hold Down Spring & Cup-Sec.
	2 #035-001-00		Shoe Hold Down Cup-Primary
	1 #046-006-01		Shoe Hold Down Spring & Cup-Prim.
	1 #049-013-00		Shoe Hold Down Pin #1-Primary
	1 #049-002-00		Shoe Hold Down Pin #8-Sec.
8	043-028-00	1	Adjuster Assembly
9	046-123-01	1	Adjusting Screw Spring
10	046-007-00	1	Adjuster Slot Plug
*11	006-193-00	5	Nut Washer Assembly
13	040-244-02	1	Shoe Lever
14	006-011-00	1	Locknut
15	007-210-00	1	Screw
16	005-064-00	1	Washer
17	046-108-03	1	Primary Shoe Return Spring
ns	054-089-00	1	Bleeder Screw (included with item #2)

ns - not shown

Disc Brake for 6,000 Lb. Axles



CSA approved at 6000#/14.3 SLR

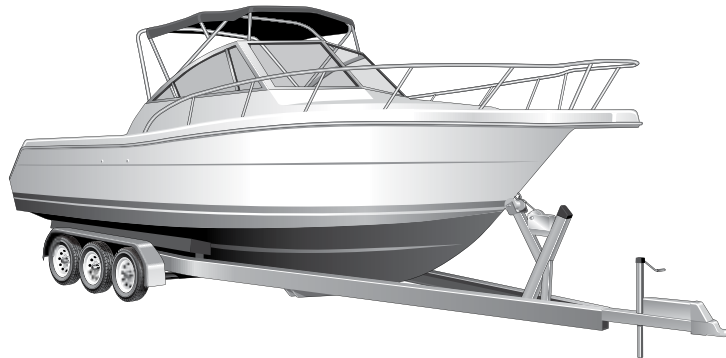
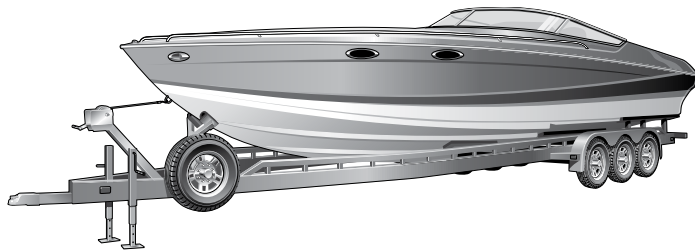


Disc Brake 6000#

Item	Part No.	Qty/Brk	Description
1	090-005-01	1	LH Anchor Yoke
1	090-005-02	1	RH Anchor Yoke (shown)
2	K71-636-00	1	Caliper Assembly Kit for LH or RH Contains:
	4 006-045-00		Caliper Mounting Nut
	4 007-254-00		Caliper Mounting Bolt
	1 019-019-00		Cotter Ring
	1 027-060-00		Tube Clamp
	1 054-092-00		Bleeder Screw
	1 054-094-00		Adapter Fitting
	1 056-038-00		Pad Retaining Pin
	1 071-513-00		Cross Over Hydraulic Line (yokes without notch)
	1 071-517-00		Cross Over Hydraulic Line (yokes with notch)
	1 087-002-00		Hex Bolt
	2 089-005-02		Assembled Caliper Half
3	K71-629-00	1	Brake Pad Kit (axle set)
4	K71-637-00	1	Rotor Kit
5	006-193-00	5	3/8" Brake Mounting Nut-Washer Assembly

Disc Brake Hubs & Studs

Item	Part No.	Qty/Brk	Description
6	008-403-05	1	Grease 1/2" Studs 6 on 5.50
7	007-262-00	6	1/2-20 x 2.50" Press-in Stud



Axle Types

5500-7000 Lbs. Capacity

- Complete service manual
- Precision machined, forged steel spindles
- E-Z Lube® spindles standard
- Press-in wheel studs
- Corrosion resistant hydraulic free backing brakes available
- Optional hot dipped galvanized axle beam
- Optional GAL-DEX™ coated cast iron hub



D60 & D70 LEAF SPRING



- High quality alloy steel springs in a variety of capacities
- Single, tandem, or triple axle assemblies with equalized suspensions
- Slipper spring or double eye leaf spring suspension
- Optional hanger and attaching parts kits available
- Durable, wear-resistant components
- Inner wiring system for easier installation and protection of brake wiring
- Heavy wall 3" diameter tube
- Straight or Drop spindles (4" drop only)
- Optional stainless steel wear sleeves for grease seal journal
- Available in drop center V-bend axle beam
- 2 year limited warranty

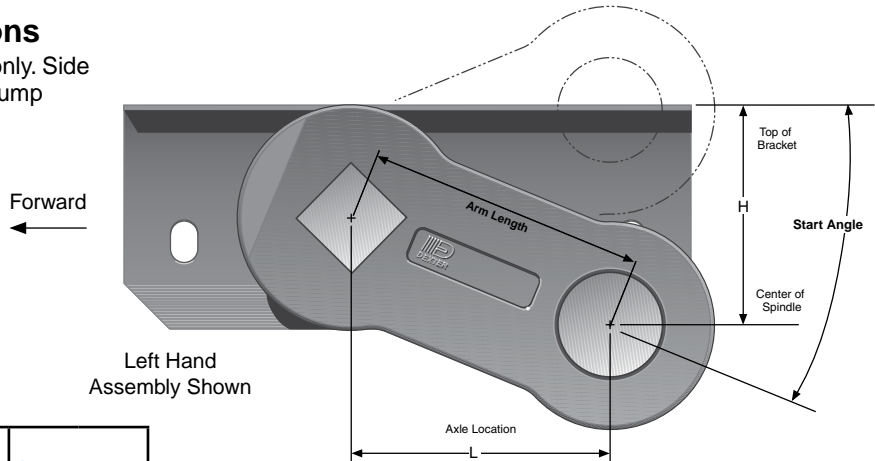
- Totally rubber-cushioned for smooth, quiet, independent ride
- Easy installation with less maintenance
- Less transfer of road shock which insulates cargo from road shocks and vibration
- Self-damping action
- Load-carrying cross member
- Rubber cords compounded for maximum dependability and durability
- Independent wheel suspension system
- 5 year limited warranty on suspension system
- Low profile for maximum road clearance
- Various starting angles to control trailer height
- High and low profile brackets with optional mounting brackets are available
- Rubber cushioning eliminates metal-to-metal contact
- Shock absorption provided by the natural hysteresis of rubber
- Single or tandem axle assemblies
- Durable, wear-resistant components
- Optional stainless steel wear sleeves for grease seal journal
- Available in drop center V-bend axle beam

CAUTION: Triple axle assemblies are NOT recommended for Torflex® axles.



Articulation Dimensions

Dimensions are for top mount only. Side mount is .31" higher. Allow 3" bump clearance from full load.



Left Hand Assembly Shown

Start Angle	Bracket Profile	No Load		Full Load		Shock Load	
		H	L	H	L	H	L
45° Down	Low	6.24	4.24	4.30	5.54	3.30	5.86
	High	6.99	4.24	5.05	5.54	4.05	5.86
22.5° Down	Low	4.30	5.54	2.00	6.00	0.96	5.91
	High	5.05	5.54	2.75	6.00	1.71	5.91
10° Down	Low	3.04	5.91	0.70	5.86	-0.30	5.54
	High	3.79	5.91	1.45	5.86	0.45	5.54
0°	Low	2.00	6.00	-0.30	5.54	-1.22	5.06
	High	2.75	6.00	0.45	5.54	-0.47	5.06
10° Up	Low	0.96	5.91	-1.22	5.06	-2.05	4.42
	High	1.71	5.91	-0.47	5.06	-1.30	4.42
22.5° Up	Low	-0.30	5.54	-2.24	4.24	-2.91	3.44
	High	0.45	5.54	-1.49	4.24	-2.16	3.44

#12 Overhang Per Side

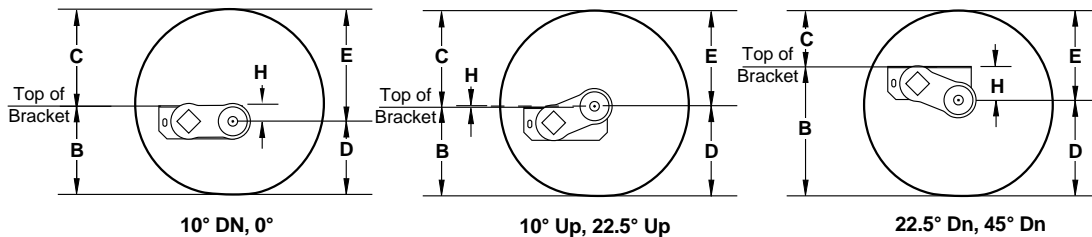
Spindle	Min.	Max.
Short	7.00"	15.20"
Standard	7.50"	15.20"

Note: Positive numbers in the H column indicate the spindle is BELOW the top of the bracket. Conversely, negative numbers are ABOVE the top of the bracket.



Full Load Dimensions

Dimensions are for low profile, top mount only. High profile brackets are .75" higher. Side mount is .31" higher. Allow 3" bump clearance from full load.



Start Angle

Tire	* **		45° Down			22.5° Down			10° Down			0°			10° Up			22.5° Up		
	D	E	H	B	C	H	B	C	H	B	C	H	B	C	H	B	C	H	B	C
LT235/85R16	14.3	15.4	4.3	18.6	11.1	2.0	16.3	13.4	0.7	15.0	14.7	-0.3	14.0	15.7	-1.2	13.1	16.6	-2.2	12.1	17.6
7.50-16LT	14.9	16.7	4.3	19.2	12.4	2.0	16.9	14.7	0.7	15.6	16.0	-0.3	14.6	17.0	-1.2	13.7	17.9	-2.2	12.7	18.9
9.50-16.5LT	14.1	15.2	4.3	18.4	10.9	2.0	16.1	13.2	0.7	14.8	14.5	-0.3	13.8	15.5	-1.2	12.9	16.4	-2.2	11.9	17.4

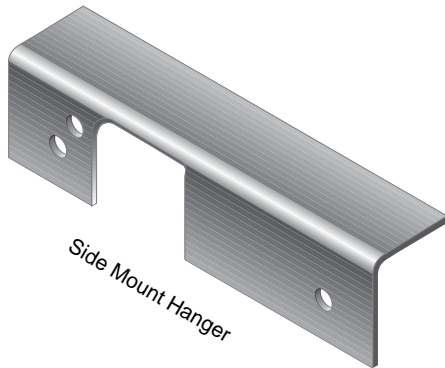
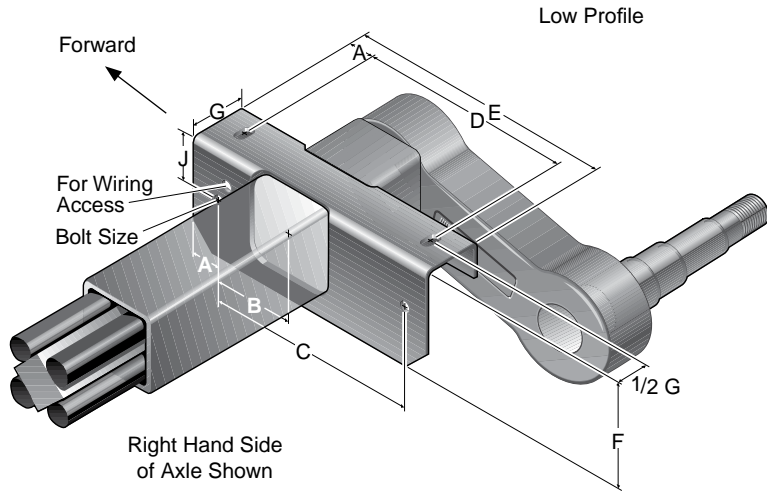
Columns D and E are dimensional examples only:

* D – Static Loaded Radius

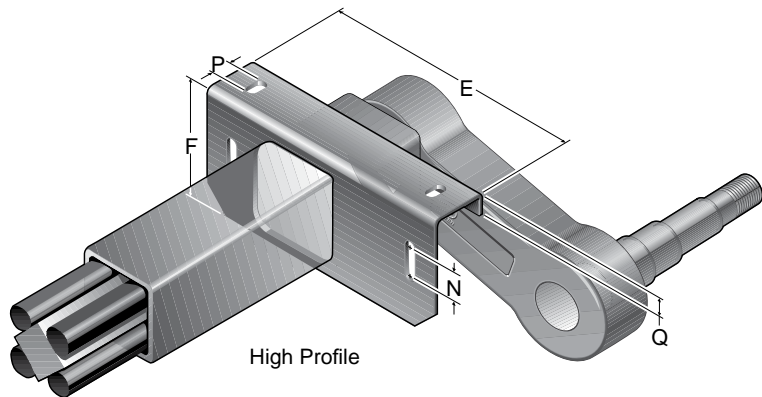
** E – Inflated Radius



12 Bracket Dimensions



#12 Bracket Dimensions		
	Low	High
A	1.25	1.25
B	3.50	3.50
C	9.50	9.50
D	9.00	9.00
E	12.00	12.00
F	4.37	5.12
G	2.50	2.50
J	2.06	2.06
N	----	1.03
P	----	1.00
Q	----	1.00
Bolt Size	5/8" bolt	
Tube Size	3.50	3.50



Leaf Spring Application Information



Double Eye Springs

For Standard 33" Axle Spacing
 Single A/P-122-50
 Tandem A/P-233-50
 Triple A/P-335-50

	Spring Length		
	21"	24"	26"
A	19.62	23.50	25.75
B	25.00	27.50	29.50
C	28.75	31.00	33.00
D	10.62	12.00	13.00
E	28.75	31.00	33.00

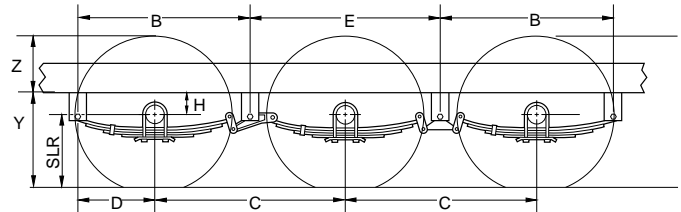
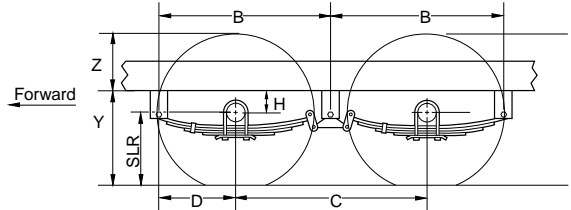
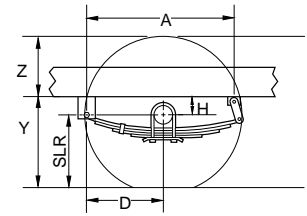
D60 Overhang Per Side

	Min.	Disc.*	Max.
Straight	6.63"	9.00"	10.00"
4" Drop	7.87"	----	10.00"
Nev-R-Lube®	6.19"	9.00"	10.00"

* Minimum overhang with disc brakes

D70 Overhang Per Side

	Min.	Max.
Straight	6.63"	9.00"
4" Drop	7.87"	9.00"
Nev-R-Lube®	6.37"	9.00"



Double Eye Axle Assemblies

Hanger Kits

Part No.	Description	Height	Quantity Per Kit				
			HGR-104-00	HGR-105-00	HGR-248-00	HGR-249-00	HGR-348-00
028-005-00	Hanger	3.25"	2	----	4	2	4
028-006-00	Front Hanger	1.44"	----	2	----	----	----
029-008-00	Front Hanger	2.06"	----	----	----	4	----
029-031-00	Center Hanger	3.62"	----	----	2	----	4
030-020-00	Rear Hanger	.91"	2	2	----	----	----

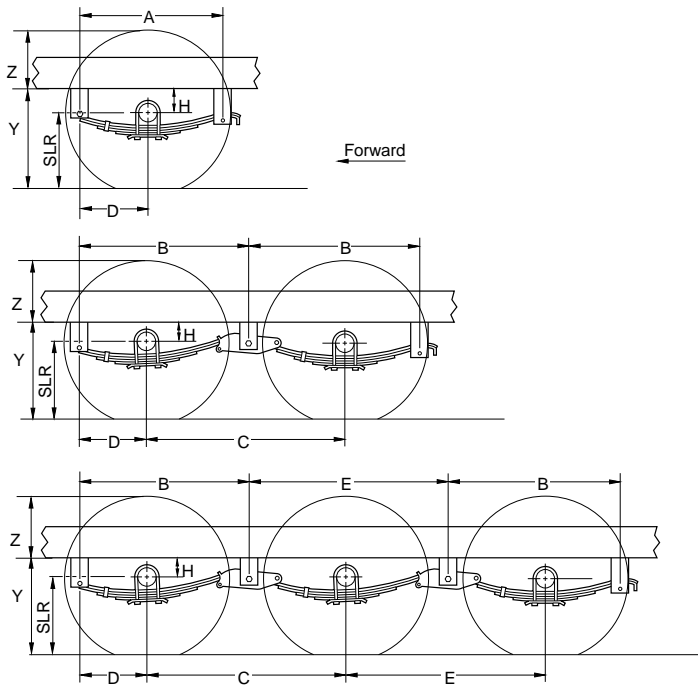
Attaching Parts Kits

Part No.	Description	A/P-122-50	A/P-233-50	A/P-335-50
006-092-50	Flange Locknut	6	14	22
007-126-50	Shackle Bolt	2	6	10
013-104-50	Equalizer	----	2	2
013-105-50	Equalizer	----	----	2
018-011-50	Shackle Link	----	4	6
018-012-50	Shackle Link, Long	2	----	----
018-020-50	Shackle Link Assembly	----	4	6
018-021-50	Shackle Link Assembly, Long	2	----	----

Leaf Spring Application Information



5500 - 7000 LBS. CAPACITY



Slipper Springs			
	Single A/P-103-50	Tandem A/P-202-50 [§]	Triple A/P-302-50 [§]
A	24.0	----	----
B	----	28.8	28.8
C	----	33.5	33.5
D	11.5	11.5	11.5
E	----	----	33.0

Note: All 2" wide slipper springs
 § For 33.5" axle spacing

A, B, E – Hanger Spacing
 C – Axle Spacing
 D – Axle Location
 H – Center of Spindle
 Y – Frame Height
 Z – Top of Tire to Bottom of Frame
 SLR – Static Load Radius

To determine these values, contact your local sales engineer or distributor to run ProSpec™.

Slipper Spring Axle Assemblies

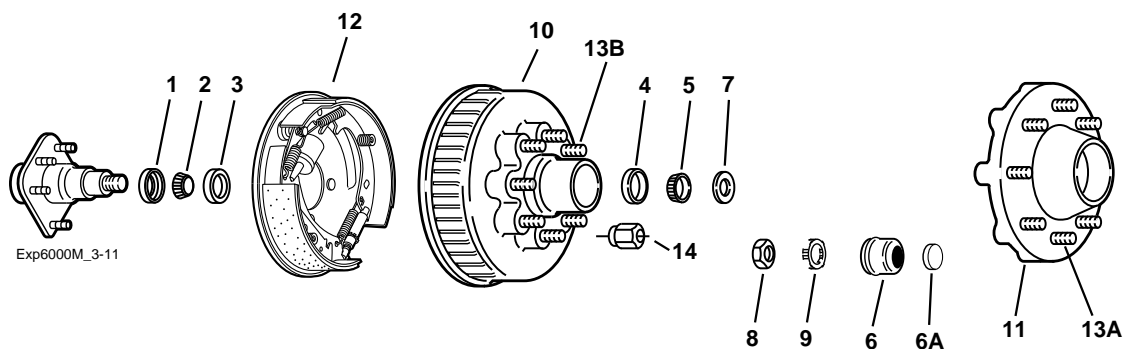
Hanger Kits		Quantity Per Kit			
Part No.	Description	Height	HGR-110-00	HGR-202-00	HGR-302-00
028-001-00	Front Hanger	4.25"	2	2	2
029-001-00	Center Hanger	3.50"	----	2	4
030-028-00	Rear Hanger	4.00"	2	2	2

Attaching Parts Kits		A/P-103-50	A/P-202-50 [§]	A/P-302-50 [§]
Part No.	Description			
006-007-01	1/16-18 Locknut	2	4	6
006-011-50	Keeper Nut	2	4	6
006-111-50	Equalizer Nut	----	2	4
007-001-51	Equalizer Bolt	----	2	4
007-007-50	Keeper Bolt	2	4	6
007-017-50	Spring Eye Bolt	2	4	6
013-004-50	Equalizer	----	2	4

§ For 33.5" axle spacing

Some combinations of hangers and spring mountings may result in insufficient bump clearance. Refer to the Miscellaneous section for additional hanger kits, A/P kits, or other tires.

865 Hub Group



Grease Lube Parts

Item	Part No.	Description
1	010-036-00	E-Z Lube® Seal 2.25"
2	031-030-02	25580 Inner Bearing Cone
3	031-030-01	25520 Inner Bearing Cup
4	031-017-01	14276 Outer Bearing Cup - 865 Hub
5	031-017-02	14125A Outer Bearing Cone - 865 Hub
6	021-042-01	Grease Cap for E-Z Lube®
ns	021-043-02	Grease Cap for E-Z Lube® Chrome Option
6A	085-001-00	E-Z Lube® Rubber Plug
7	005-057-00	Spindle Washer
8	006-191-00	Special Jam Nut for E-Z Lube®
9	006-190-00	Spindle Nut Retainer for E-Z Lube®

ns - not shown

Note: Spindle is not available for resale.

6 on 5.5 hubs are available on these axles.

See section in 3600-6000 lbs. capacity.

Hubs

Item	Part No.	Description	Bolt Circle
Hubs/Drums			
10	008-219-50	Grease ½" Stud	8 on 6.50
Plain Hubs			
11	008-231-50	Grease ½" Stud	8 on 6.50

Brakes

Item	Part No.	Description
12	K23-342-01/K23-343-01	LH/RH Hydraulic Uni-servo 7K FB

Studs & Wheel Nuts

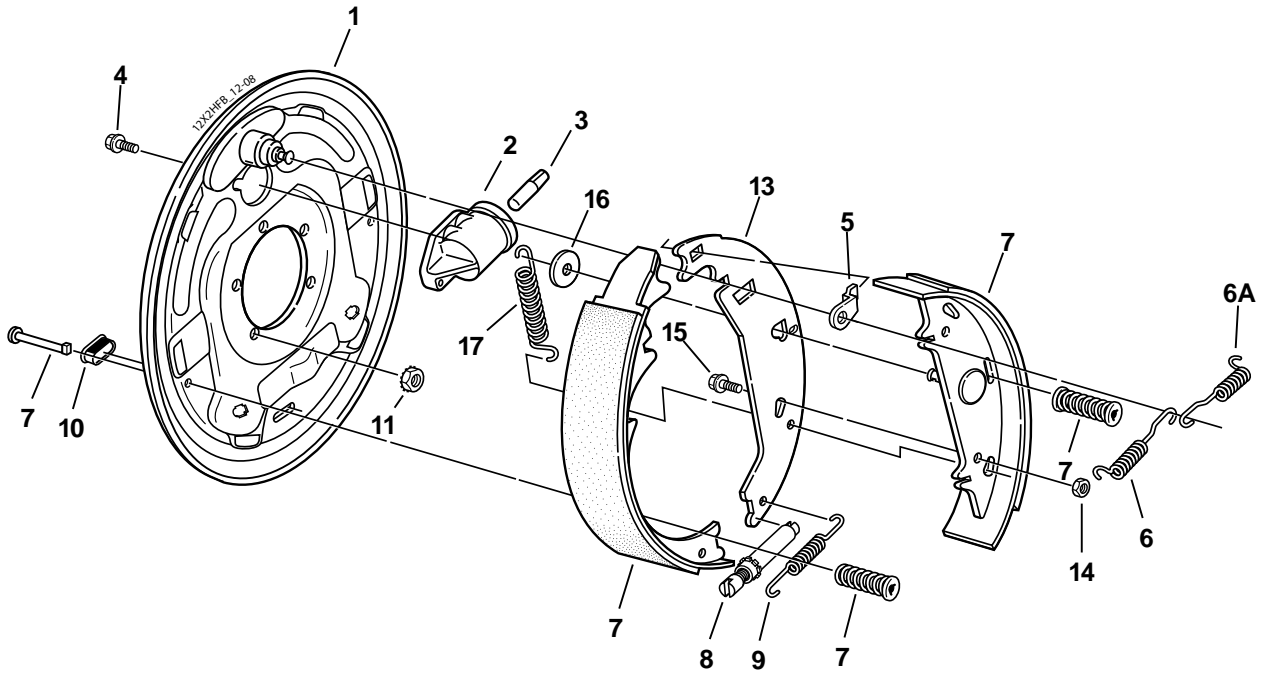
Item	Part No.	Description
13A	007-150-00	½-20 Pressed Wheel Stud, Zinc Dichromate*
13B	007-262-01	½-20 Pressed Wheel Stud, Zinc Dichromate*
14	006-080-00	½-20 60° Cone Nut

* Stud length measured under head to end of stud.

12" x 2" Hydraulic Brake Free Backing



5500 - 7000 LBS. CAPACITY



Note: Uni-Servo brakes to be used with surge actuator

Hydraulic Free Backing Brake Corrosion Resistant

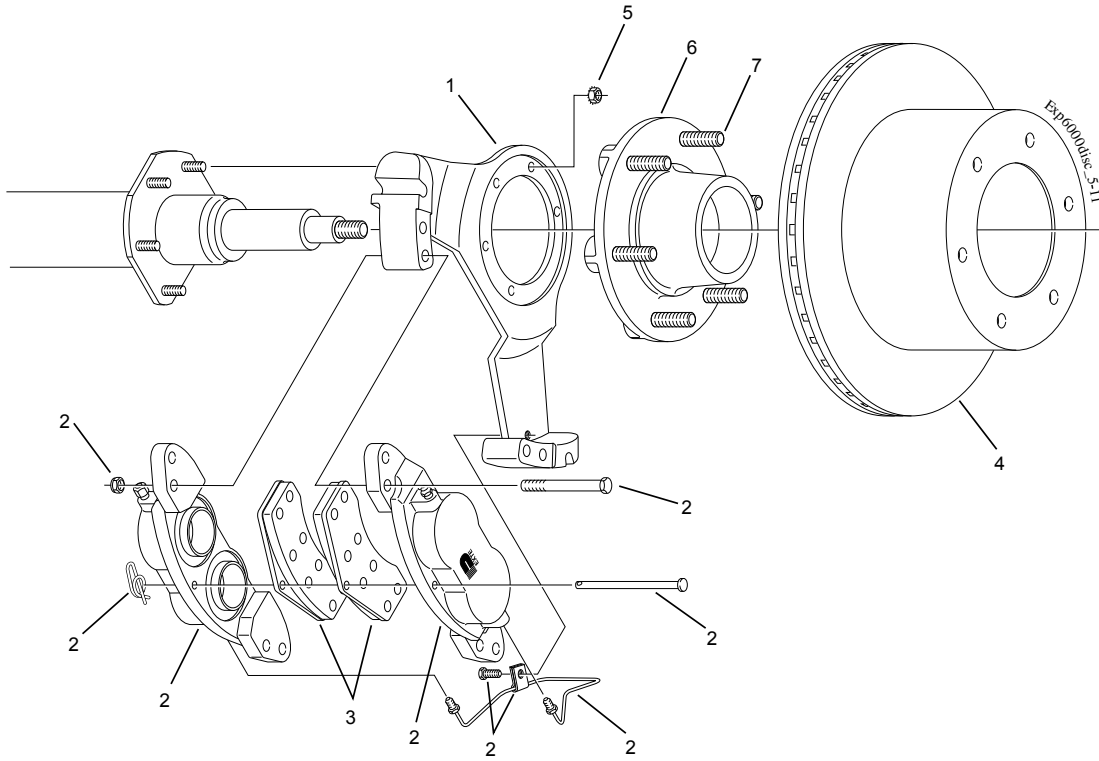
Item	Part No.	Qty/Brk	Description
0	K23-342-01	1	LH Complete Brake Assembly
0	K23-343-01	1	RH Complete Brake Assembly
1	036-093-09	1	Backing Plate Assembly
2	054-064-01	1	LH Brake Cylinder Uni-Servo
2	054-065-01	1	RH Brake Cylinder Uni-Servo
3	054-060-00	1	Cylinder Push Rod
4	087-001-00	2	Sems (screw & washer assembly)
5	037-069-02	1	Travel Link
6	046-101-00	1	Retractor Spring
6A	046-107-03	1	Shoe Lever Return Spring
7	K71-427-00	1	LH Shoe & Lining Kit Contains: 1 #040-243-06 LH Primary Shoe & Lining 1 #040-315-06 LH Secondary Shoe & Lining 1 #046-077-01 Shoe Hold Down Spring & Cup-Sec. 2 #035-001-00 Shoe Hold Down Cup-Primary 1 #046-006-01 Shoe Hold Down Spring & Cup-Prim. 1 #049-013-00 Shoe Hold Down Pin #1-Primary 1 #049-002-00 Shoe Hold Down Pin #8-Sec.
7	K71-428-00	1	RH Shoe & Lining Kit Contains: 1 #040-243-07 RH Primary Shoe & Lining 1 #040-315-05 RH Secondary Shoe & Lining 1 #046-077-01 Shoe Hold Down Spring & Cup-Sec. 2 #035-001-00 Shoe Hold Down Cup-Primary 1 #046-006-01 Shoe Hold Down Spring & Cup-Prim. 1 #049-013-00 Shoe Hold Down Pin #1-Primary 1 #049-002-00 Shoe Hold Down Pin #8-Sec.
8	043-028-00	1	Adjuster Assembly
9	046-123-01	1	Adjusting Screw Spring
10	046-007-00	1	Adjuster Slot Plug
*11	006-193-00	5	Nut Washer Assembly
13	040-244-02	1	Shoe Lever
14	006-011-00	1	Locknut
15	007-210-00	1	Screw
16	005-064-00	1	Washer
17	046-108-03	1	Primary Shoe Return Spring
ns	054-089-00	1	Bleeder Screw (included with item #2)

ns - not shown

Disc Brake for 6,000 Lb. Axles



CSA approved at 6000#/14.3 SLR



Disc Brake 6000#

Item	Part No.	Qty/Brk	Description
1	090-005-01	1	LH Anchor Yoke
1	090-005-02	1	RH Anchor Yoke (shown)
2	K71-636-00	1	Caliper Assembly Kit for LH or RH Contains:
	4 006-045-00		Caliper Mounting Nut
	4 007-254-00		Caliper Mounting Bolt
	1 019-019-00		Cotter Ring
	1 027-060-00		Tube Clamp
	1 054-092-00		Bleeder Screw
	1 054-094-00		Adapter Fitting
	1 056-038-00		Pad Retaining Pin
	1 071-513-00		Cross Over Hydraulic Line (yokes without notch)
	1 071-517-00		Cross Over Hydraulic Line (yokes with notch)
	1 087-002-00		Hex Bolt
	2 089-005-02		Assembled Caliper Half
3	K71-629-00	1	Brake Pad Kit (axle set)
4	K71-637-00	1	Rotor Kit
5	006-193-00	5	3/8" Brake Mounting Nut-Washer Assembly

Disc Brake Hubs & Studs

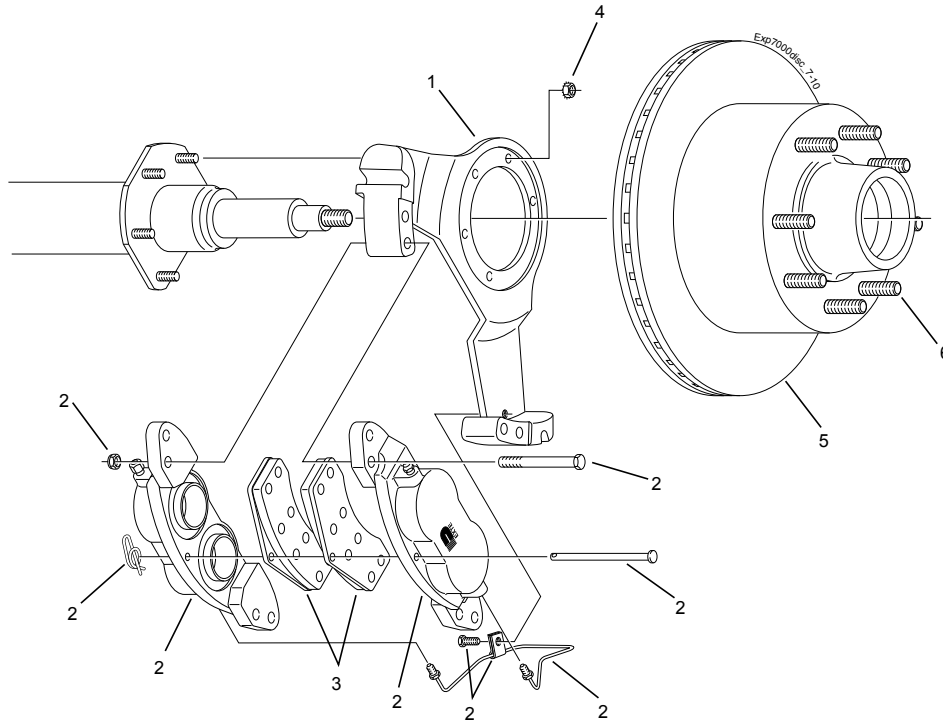
Item	Part No.	Qty/Brk	Description
6	008-403-05	1	Grease 1/2" Studs 6 on 5.50
7	007-262-00	6	1/2-20 x 2.50" Press-in Stud

Disc Brake for 7,000 Lb. Axles



CSA approved at 7000#/14.0 SLR

5500 - 7000 LBS. CAPACITY



Disc Brake 7000#

Item	Part No.	Qty/Brk	Description
1	090-008-01	1	LH Anchor Yoke
1	090-008-02	1	RH Anchor Yoke (shown)
2	K71-693-00	1	Caliper Assembly Kit for LH or RH Contains:
	4 006-045-00		Caliper Mounting Nut
	4 007-254-00		Caliper Mounting Bolt
	1 019-019-00		Cotter Ring
	1 027-060-00		Tube Clamp
	1 054-092-00		Bleeder Screw
	1 054-094-00		Adapter Fitting
	1 056-038-00		Pad Retaining Pin
	1 071-513-00		Cross Over Hydraulic Line (yokes without notch)
	1 071-517-00		Cross Over Hydraulic Line (yokes with notch)
	1 087-002-00		Hex Bolt
	2 089-005-06		Assembled Caliper Half
3	K71-629-00	1	Brake Pad Kit (axle set)
4	006-193-00	5	$\frac{3}{8}$ " Brake Mounting Nut-Washer Assembly

Disc Brake Hubs & Studs

Item	Part No.	Qty/Brk	Description
5	008-416-10	1	Grease $\frac{1}{2}$ " Studs 8 on 6.50
	008-416-11	1	Oil $\frac{1}{2}$ " Studs 8 on 6.50
	008-416-12	1	Grease $\frac{9}{16}$ " Studs 8 on 6.50
	008-416-13	1	Oil $\frac{9}{16}$ " Studs 8 on 6.50
	008-416-14	1	Grease $\frac{5}{8}$ " Studs 8 on 6.50
	008-416-15	1	Oil $\frac{5}{8}$ " Studs 8 on 6.50
6	007-122-00	8	$\frac{1}{2}$ -20 x 1.84" Press-in Stud
	007-223-00	8	$\frac{9}{16}$ -18 x 2.01" Press-in Stud
	007-224-00	8	$\frac{5}{8}$ -18 x 2.50" Press-in Stud

Wheels and Tires



WHEELS & TIRES

Wheel Dia.	Rim Width Contour	Tire Size Description	SLR	Tire Radius	Width	Capacity	PSI
12	4JA	4.80-12, B	9.50	10.84	5.27	780	60
12	4JA	5.30-12, C	10.20	11.37	5.88	1045	80
13	4.5JJ	ST175/80R13, B	11.20	12.00	7.90	1100	35
13	4.5JJ	ST185/80R13, C	11.40	12.30	8.10	1480	50
14	5.5JJ	ST205/75R14, C	12.10	13.05	9.00	1760	50
14	5.5JJ	ST215/75R14, C	12.40	13.35	9.60	1870	50
14.5	6.00MH	8-14.5LT, E	13.30	14.10	8.50	2540	85
14.5	6.00MH	8-14.5LT, F	13.30	14.10	8.50	2790	100
14.5	7.00MH	9-14.5LT, E	13.30	14.68	10.10	2940	85
14.5	7.00MH	9-14.5LT, F	13.30	14.68	10.10	3230	100
15	5JJ	ST205/75R15, B	12.60	13.55	9.00	1480	35
15	5JJ	ST205/75R15, C	12.60	13.55	9.00	1820	50
15	6JJ	LT215/75R15, C	12.90	14.25	9.60	1765	50
15	6JJ	ST225/75R15, D	13.00	14.43	9.90	2540	65
15	6JJ	LT235/75R15, E	13.40	14.70	10.60	2755	80
16	6K	LT225/75R16, E	13.50	14.92	9.90	2680	80
16	6K	LT235/85R16, E	14.30	15.40	10.30	3042	80
16	6K	LT235/85R16, G	14.30	15.40	10.20	3750	110
16.5	6.75	8.75R16.5LT, E	13.80	14.80	10.00	2680	80
16.5	6.75	8.75R16.5LT, F	13.80	14.80	10.00	2980	95
16.5	6.75	9.50R16.5LT, E	14.30	15.40	10.70	3170	80
16.5	9.75	12-16.5LT, E	14.90	15.80	13.00	3550	60
16.5	9.75	12-16.5LT, F	14.90	15.80	13.00	4045	75

Hanger and Attaching Parts Kits



HANGER & AP KITS

Double Eye Leaf Springs

Hanger Heights

Hanger Kit	Axle Combination	Front Height	Center Height	Notes
HGR-104-00	1	3.25	N/A	
HGR-105-00	1	1.44	N/A	
HGR-120-00	1	4.25	N/A	5.2K Max.
HGR-249-00	2	2.06	3.25	
HGR-248-00	2	3.25	3.62	
HGR-212-00	2	3.25	3.25	
HGR-250-00	2	3.62	3.62	
HGR-252-00	2	4.25	4.25	6K max.
HGR-271-00	2	4.25	4.25	Reinforced 7K Max.
HGR-274-00	2	5.00	5.00	Reinforced 7K Max.
HGR-348-00	3	3.25	3.62	
HGR-312-00	3	3.25	3.25	
HGR-371-00	3	4.25	4.25	Reinforced

Attaching Parts Kits

Capacity	33" Axle Spacing		
	Single	Tandem	Triple
D20	A/P-122-50	A/P-233-50	A/P-335-50
D35	A/P-122-50	A/P-233-50	A/P-335-50
D52	A/P-122-50	A/P-233-50	A/P-335-50
D60	A/P-122-50	A/P-233-50	A/P-335-50
D70	A/P-122-50	A/P-233-50	A/P-335-50

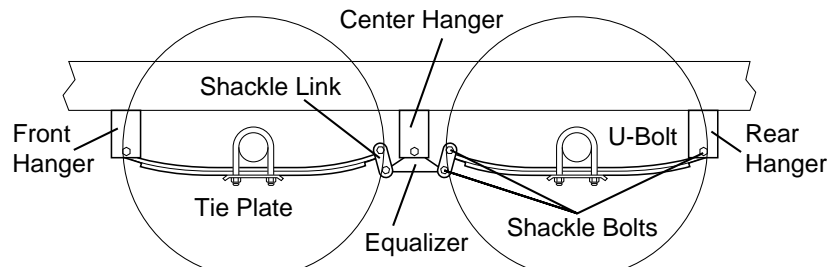
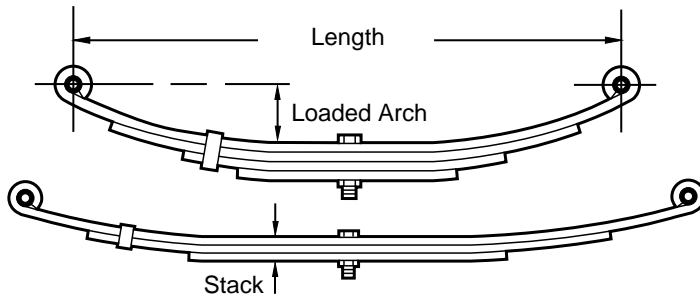
Tube Diameter & Spring Pad Height – DE and SS

Capacity	Tube Dia. Standard	Tube Dia. Optional	Pad Ht. Standard	Pad Ht. Optional
D20	1.75	2.38	0.60	0.60
D35	2.38	3.00	0.60	0.60
D52	3.00	N/A	0.60	N/A
D60	3.00	N/A	0.60	N/A
D70	3.00	3.50	0.60	0.50

N/A - not applicable

Stack & Loaded Arch Heights

Capacity	Part Number	Stack Height	Length (Inches)	Axle Location	Loaded Arch Height
700	072-016-00	0.67	21	10.62	2.12
1000	072-017-00	0.79	21	10.62	2.12
1250	072-022-00	0.94	26	13.00	1.75
1250	072-006-00	0.94	24	12.00	2.50
1400	072-013-00	1.10	21	10.62	2.38
1500	072-023-00	1.04	26	13.00	1.75
1750	072-042-00	1.27	26	13.00	1.50
1750	072-009-00	1.08	24	12.00	2.50
2000	072-018-00	1.37	24	12.00	2.50
2000	072-024-00	1.16	26	13.00	1.75
2500	072-020-00	1.44	24	12.00	2.50
2600	072-025-00	1.44	26	13.00	1.75
3000	072-073-00	2.01	26	13.00	1.75
3500	072-027-00	2.05	26	13.00	1.75
4000	072-079-00	2.52	26	13.00	1.75



Underslung Shown



Hanger and Attaching Parts Kits

HANGER & AP KITS

Slipper Leaf Springs

Hanger Heights

Hanger Kit	Axle Combination	Front Height	Center Height	Notes
HGR-115-00	1	1.00	N/A	D20 Only
HGR-110-00	1	4.25	N/A	3.5K-7K
HGR-138-00	1	5.00	N/A	
HAP-105-00	1	5.00	N/A	Rubber Bushed
HGR-202-00	2	4.25	3.50	
HGR-238-00	2	5.00	4.50	
HAP-205-01	2	5.00	4.50	Rubber Bushed
HGR-302-00	3	4.25	3.50	
HGR-338-00	3	5.00	4.50	

Tube Diameter & Spring Pad Height – DE and SS

Capacity	Tube Dia. Standard	Tube Dia. Optional	Pad Ht. Standard	Pad Ht. Optional
D20	1.75	2.38	0.60	0.60
D35	2.38	3.00	0.60	0.60
D52	3.00	N/A	0.60	N/A
D60	3.00	N/A	0.60	N/A
D70	3.00	3.50	0.60	0.50

N/A - not applicable

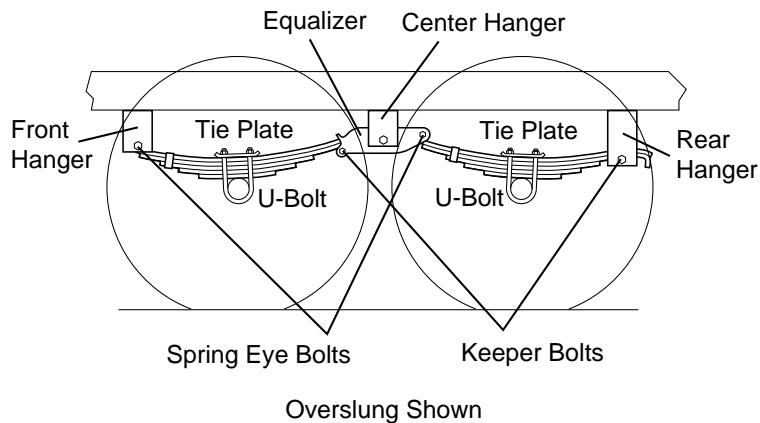
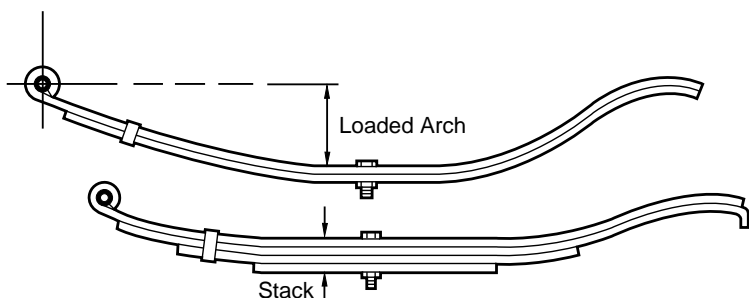
Attaching Parts Kits

Capacity	Single	33.5" Axle Spacing	
		Tandem	Triple
D20	A/P-115-50	N/A	N/A
D35	A/P-103-50	A/P-202-50	A/P-302-50
D52	A/P-103-50	A/P-202-50	A/P-302-50
D60	A/P-103-50	A/P-202-50	A/P-302-50
D70	A/P-103-50	A/P-202-50	A/P-302-50
D72	A/P-103-50	A/P-202-50	A/P-302-50
D80	A/P-103-50	A/P-202-50	A/P-302-50

Stack & Loaded Arch Heights

Capacity	Part Number	Stack Height	Width (Inches)	Axle Location	Loaded Arch Height
700	072-003-00	0.57	1.75	13.00	3.12
1000	072-002-00	0.68	1.75	13.00	3.12
1500	072-029-00	1.16	2.00	11.50	2.00
2000	072-030-00	1.33	2.00	11.50	2.00
2500	072-031-00	1.44	2.00	11.50	2.00
3500	072-032-00	1.80	2.00	11.50	2.00
4000	072-051-01	2.52	2.00	11.50	2.00
4000*	072-051-02	2.52	2.00	11.50	2.00

* Rubber Bushed





The following instructions describe methods that can be used to attach your Torflex® axles to the vehicle frame.

- Step 1:** The user must first decide where to place the axle(s) on the trailer. The position of the wheel center relative to the CG (center of gravity) will determine the final axle loading as well as the hitch load.
- Step 2:** Determine the method of attachment you wish to use.
- For structural tube type frame rails, refer to Figure 1 for the recommended attachment.
 - For “C” channel or “I” beam type frame, refer to Figure 2.
- Step 3:** Once the method of attachment is decided, the axle(s) must be carefully aligned on the trailer frame. The axle(s) centerline must be perpendicular to the longitudinal centerline of the trailer. See figure 3.

CAUTION: Misalignment of the axle(s) can cause poor tracking and accelerated tire wear.

Attachment to Structural Tube Type Frame

- Dexter Axle recommends the use of side mounting hangers when mounting axles to tubular type frames. These hangers provide a convenient means for bolting the axles in place. All of the necessary components are included in the Side Mount A/P Kits listed in Chart 1.
- Refer to Chart 2 to find the mounting bracket dimensions of your axles. This chart shows the dimensions from the wheel center to the bolt holes of the brackets.
- The preferred way to use the side mount hanger is to pre-assemble the hangers to the axle using the hardware provided in the A/P kit. Make sure the hangers are clamped firmly against the axle brackets and the bolts are tightened to the torque specifications shown in Chart 1. Position the axle assembly on the frame rails in the desired location and weld the side mount hangers to the frame.
- Axle bracket position is the distance as measured over the outboard edges of the brackets. This dimension is usually matched to the outside measurement of the frame members but depending on the type of frame may not always be suitable. The preferred arrangement should place the longest vertical section of the axle bracket directly under the most rigid section of the frame member.

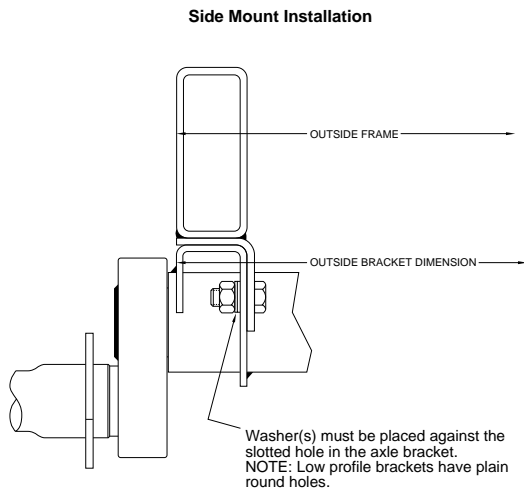


Figure 1

Side mount hangers should be welded to frame with three (3) ¼" fillet welds, 2½" long on each side of the hanger and a fillet weld on each end. Welds should meet the quality standards of the American Welding Society, D1.1, Structural Welding Code.

Chart 1

Attaching Parts Kits and Torque Specifications				
Axle Size	A/P Kit Top Mount	A/P Kit Side Mount	Bolt Size	Torque Lb-Ft.
#9	A/P-161-00	A/P-165-00	1/2"	70-90
#10	A/P-148-00	A/P-166-00	5/8"	120-155
#11	A/P-148-00	A/P-167-00	5/8"	120-155
#12	A/P-148-00	A/P-168-00	5/8"	120-155

Side mount hangers and fasteners for mounting axle are provided in the A/P Attaching Parts Kits shown in Chart 1. Torque fasteners to levels specified in Chart 1.

Attachment to Structural Tube Type Frame

- Refer to Chart 2 to find the mounting bracket dimensions of your axles. This chart shows the dimensions from the wheel center to the bolt holes of the brackets.
- Lay out the bolt hole locations on the bottom flanges of the frame rails. Make sure the hole pattern matches the mounting brackets of your axles and is properly oriented to allow proper alignment of the axle(s).
- An alternate method for determining hole location is to position the axle assembly on the frame rails, align it perpendicular to the trailer centerline, clamp in place and transfer the holes directly from the brackets.
- Drill the holes through the frame rails and attach the axle using the hardware provided in the A/P kit. Tighten the bolts to the torque specified in Chart 1.

CAUTION: When bolting to structural shapes that have tapered flanges, bevel washers must be used to prevent uneven clamping and bending of the fasteners.

Note: In the unlikely event a Torflex® axle must be replaced during the warranty period, Dexter Axle cannot assume responsibility for additional costs incurred for removal and reinstallation of axles that have been welded directly to the frame.

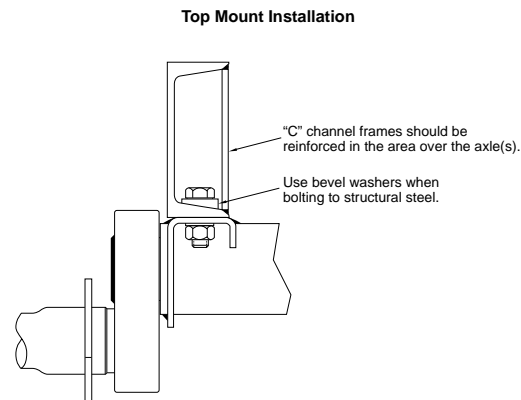
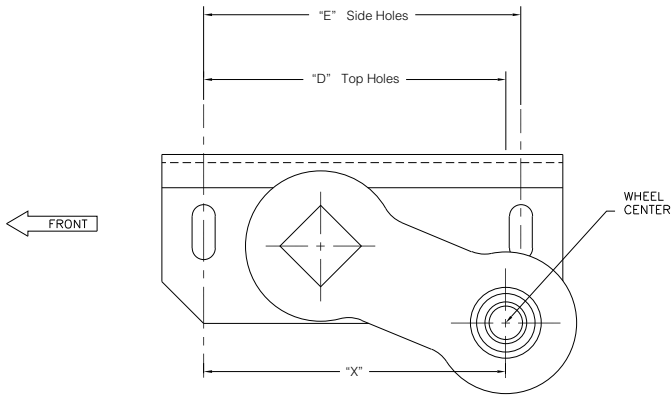


Figure 2

CAUTION: “C” channel and “I” beam type frame sections should be reinforced in the area over the axle mounting brackets. It is recommended that the vertical leg of the axle bracket be positioned directly under the vertical segment or reinforcement of the frame member.



**Chart 2
Bracket Dimensions**



Fender Clearance: allow 3" over the tire at full load.

**Start Angle of Trailing Arm
Mounting Hole to Wheel Center - Dimension "X" (Inches)**

Torflex® Axle Model	45° Down		22.5° Down		10° Down		0°		10° Up		22.5° Up		Mounting Hole Spacing (Inches)	
	No Load	Full Load	No Load	Full Load	No Load	Full Load	No Load	Full Load	No Load	Full Load	No Load	Full Load	Dim "D" (Top)	Dim "E" (Side)
#9 (6" arm)	6.62	7.92	7.92	8.38	8.29	8.24	8.38	7.92	8.29	7.44	7.92	6.62	7.75	8.00
#10 (6" arm)	6.74	8.04	8.04	8.50	8.41	8.36	8.50	8.04	8.41	7.56	8.04	6.74	8.00	8.00
#11 (6" arm)	7.74	9.04	9.04	9.50	9.41	9.36	9.50	9.04	9.41	8.56	9.04	7.74	9.00	9.50
#12 (6" arm)	7.74	9.04	9.04	9.50	9.41	9.36	9.50	9.04	9.41	8.56	9.04	7.74	9.00	9.50

Axle Alignment Dimensions

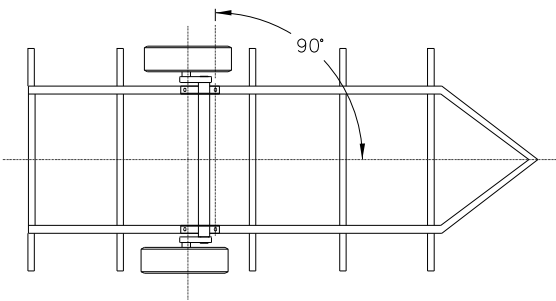


Figure 3

To insure proper tracking, the axle must be placed on the frame perpendicular to the centerline of the vehicle. The accuracy must be within plus or minus one half degree. For multiple axle applications, each axle must be parallel with the others within one sixteenth of an inch when measured at the wheel centers.

CAUTION: When laying out the position for the axle(s), measuring from the front cross member should only be done if the cross member has been checked for squareness to the frame centerline. Any error in the cross member will be transferred to the axle and can result in poor tracking and excessive tire wear.

Dexter Axle Limited Warranty



LIMITED WARRANTY

WHAT PRODUCTS ARE COVERED

All Dexter Axle Company ("Dexter Axle") trailer axles, suspensions, and brake control systems excluding Dexter 6000 series Manufactured Housing Axles.

LIMITED 2 YEAR WARRANTY

Dexter Axle warrants to the original purchaser that its axles, suspension systems, and E/H hydraulic brake actuators shall be free from defects in material and workmanship for a period of two (2) years from the date of first sale of the trailer incorporating such components.

LIMITED 5 YEAR WARRANTY

Dexter Axle warrants to the original purchaser that its Nev-R-Lube® bearings and the suspension components only, of its Torflex® Axles shall be free from defects in material and workmanship for a period of five (5) years from the date of first sale of the trailer incorporating such components.

LIMITED 7 YEAR WARRANTY

Dexter Axle warrants to the original purchaser that its Predator Series® electric brake controllers shall be free from defects in material and workmanship for a period of seven (7) years from the date of purchase.

EXCLUSIVE REMEDY

Dexter Axle will, at its option, repair or replace the affected components of any defective axle, repair or replace the entire defective axle, or refund the then-current list price of the axle. In all cases, a reasonable time period must be allowed for warranty repairs to be completed. Allowance will only be made for installation costs specifically approved by Dexter Axle.

WHAT YOU MUST DO

In order to make a claim under these warranties:

1. You must be the original purchaser of the vehicle in which the spring suspension axles or Torflex® axles were originally installed.
2. You must promptly notify us within the warranty period of any defect, and provide us with the axle serial number and any substantiation which may include, but is not limited to, the return of part(s) that we may reasonably request.
3. The axles or suspensions must have been installed and maintained in accordance with good industry practice and any specific Dexter Axle recommendations, including those specified in Dexter Axle's publication "Operation Maintenance Service Manual."

EXCLUSIONS

These warranties do not extend to or do not cover defects caused by:

1. The connecting of brake wiring to the trailer wiring or trailer wiring to the towing vehicle wiring.
2. The attachment of the running gear to the frame.
3. Hub imbalance, or any damage caused thereby.

4. Parts not supplied by Dexter Axle.
5. Any damage whatever caused by or related to any alteration of the axle including welding supplemental brackets to the axle.
6. Use of an axle on a unit other than the unit to which it was originally mounted.
7. Normal wear and tear.
8. Alignment.
9. Improper installation.
10. Unreasonable use (including failure to provide reasonable and necessary maintenance as specified in Dexter Axle's publication "Operation Maintenance Service Manual" including required maintenance after "Prolonged Storage").
11. Improper wheel nut torque.
12. Cosmetic finish or corrosion.

LIMITATIONS

1. **In all cases, Dexter Axle reserves the right to fully satisfy its obligations under the Limited Warranties by refunding the then-current list price of the defective axle (or, if the axle has been discontinued, of the most nearly comparable current product).**
2. Dexter Axle reserves the right to furnish a substitute or replacement component or product in the event an axle or any component of the axle is discontinued or is otherwise unavailable.
3. These warranties are nontransferable.

GENERAL

THE FOREGOING WARRANTIES ARE EXCLUSIVE AND IN LIEU OF ALL OTHER WARRANTIES EXCEPT THAT OF TITLE, WHETHER WRITTEN, ORAL OR IMPLIED, IN FACT OR IN LAW (INCLUDING ANY WARRANTY OF MERCHANTABILITY OR FITNESS FOR A PARTICULAR PURPOSE).

These warranties give you specific legal rights, and you may also have other rights which vary from state to state.

DEXTER AXLE HEREBY EXCLUDES INCIDENTAL AND CONSEQUENTIAL DAMAGES, INCLUDING LOSS OF TIME, INCONVENIENCE, LOSS OF USE, TOWING FEES, TELEPHONE CALLS OR COST OF MEALS, FOR ANY BREACH OF ANY EXPRESS OR IMPLIED WARRANTY.

Some states do not allow limitations on how long an implied warranty lasts, or the exclusion or limitation of incidental or consequential damages, so the above exclusion or limitation may not apply to you.

Inquiries regarding these warranties should be sent to:

Dexter Axle Company
P.O. Box 250
Elkhart, Indiana 46515

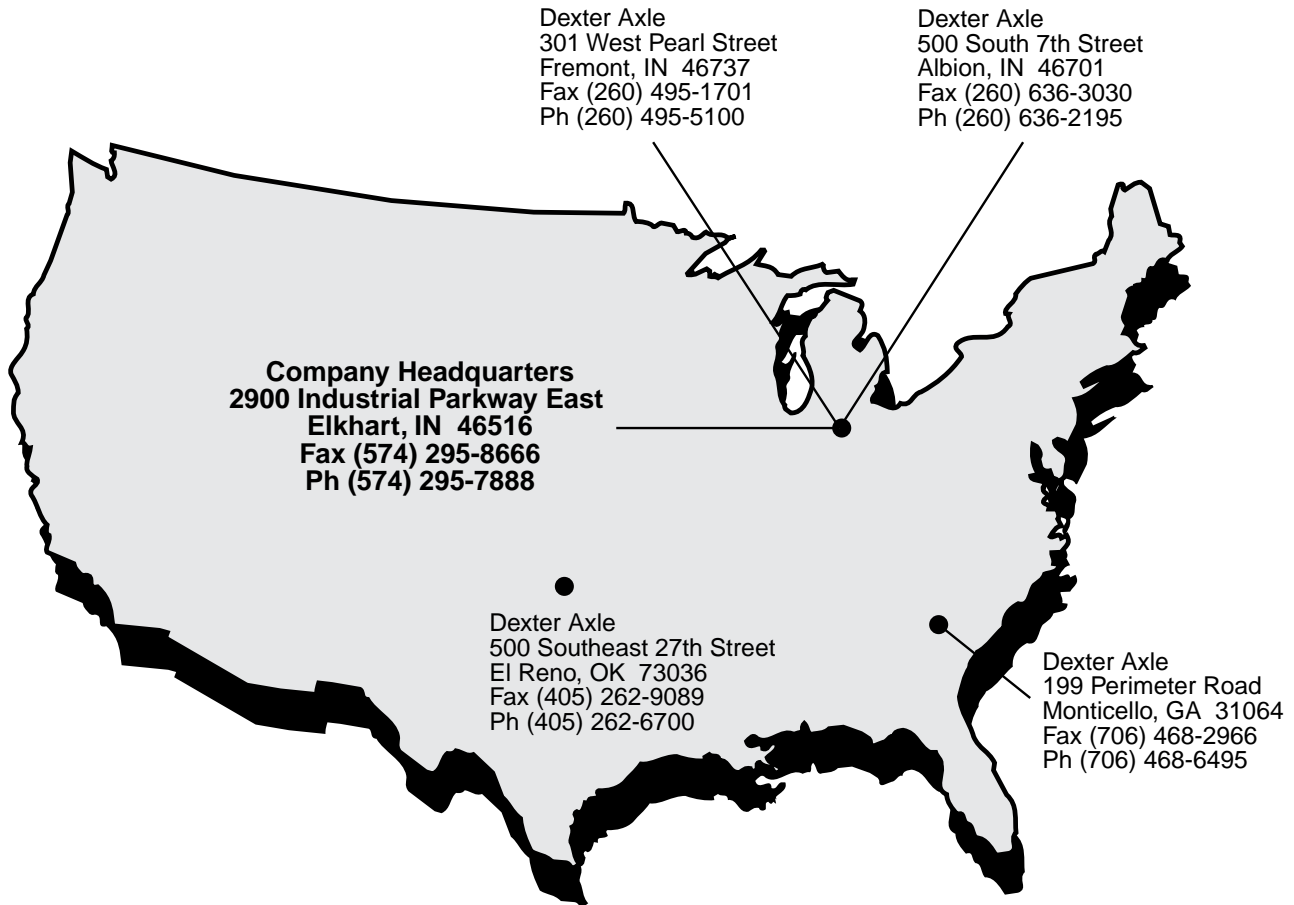






Genuine Dexter axles and components are available nationwide from our plant locations listed below or through our network of distributors. Check our web site for the distributor nearest you.

Visit us online at www.dexteraxle.com



No part of this Catalog may be reproduced without Dexter axle's permission. all part Numbers, Dimensions and specifications in this Catalog are subject to Change without Notice.

GEARED FOR INNOVATION SINCE 1960



DEXTER AXLE

www.dexteraxle.com

2900 Industrial Parkway East ■ Elkhart, IN 46516
Phone: 574-295-7888 ■ Fax: 574-295-8666