

C H O O S E Y O U R

The Standard of Excellence for Jacks



The **BULLDOG** Heavy Duty Jack product offering is the most popular & extensive in the industry. The BULLDOG jack is characterized by unmatched strength, reliability, safety and value.



Fulton Jacks are widely regarded as "Best in Class" for light to medium duty applications.

Time-tested & application proven, Fulton's innovation satisfies the consumer's demand for both performance & style.



Pro Series Jacks represent a big value at an affordable price. Pro Series Jacks are value engineered for light to medium duty applications.

JACK FROM THE TOP OF THE CURVE

ON
OFF

B
TOUGH & TRUSTED
BULLDOG
THE CURVE

JACKS

A-Frame Jacks with Powered Drive

Round Jacks

Square Jacks

Powered Drive Kit

2-Speed Tandem Landing Gear

Fifth Wheel Landing Gear System

Rack / Gear Jacks

Jack Replacement Parts

F2® Marine / Recreational Jacks

F2® A-Frame Jack and Coupler Combination

Marine and Recreational Jacks

Multi-Jack

Stabilizers

COUPLERS

Heavy Duty Collar-Lok™ Couplers

Heavy Duty Cast Couplers

BX1 Gooseneck Couplers

Gooseneck Couplers

SAE International J2638 Standard

Stamped Couplers

Fold-Away™ Couplers / Hinge Kits

WINCHES

How to Select a Hand Winch

F2® Single and Two Speed Trailer Winches

Single Speed Trailer Winches

Two Speed Trailer Winches

Brake Winches

Worm Gear Winches

Winch - Accessories, Repair/Service Kits





500187

500188

A-FRAME JACK WITH POWERED DRIVE

Tough & Trusted BULLDOG jacks present a Powered Jack with all the capacity and features you want.

- Positions quickly with 22" of total travel
- 3500 lb. lift capacity
- Integrated gearbox and motor
- Drop leg
- Deploys and hooks up easily at night with onboard LED courtesy light, angled to illuminate coupler
- Works in case of power loss with emergency manual override capability, easily accessible from the top, crank included
- Lasts for years with industry-leading BULLDOG performance, known worldwide for unmatched strength, durability, and side load capacity
- Limited 5-year warranty

A-FRAME JACK WITH POWERED DRIVE

Part No.	Lift Cap. (lbs.)	Travel	Measurements			Description	Packaging	Lbs.
			Retracted	Extended	Clearance			
500187	3,500	14"	9.75"	31.50"	20.50"	Black Cover, includes Drop Leg and Manual Override Crank	Ind. Pack	20
500188	3,500	14"	9.75"	31.50"	20.50"	White Cover, includes Drop Leg and Manual Override Crank	Ind. Pack	20



500185

500186

A-FRAME JACK WITH POWERED DRIVE

Tough & Trusted BULLDOG jacks present a Powered Jack with all the capacity and features you want.



- Positions quickly with 25" of total travel - 17" screw travel and 8" drop leg travel
- Heavy duty 4000 lb. lift capacity
- Makes setting up easier with a handy built-in level right where you need it most
- Deploys and hooks up easily at night with onboard LED courtesy light
- Works in case of power loss with emergency manual override capability, easily accessible from the top
- Conserves battery power
- Lasts for years with industry-leading BULLDOG performance, known worldwide for unmatched strength, durability, and side load capacity
- Retains like-new appearance with corrosion-resistant surfaces
- Limited 5-year warranty

A-FRAME JACK WITH POWERED DRIVE

Part No.	Lift Cap. (lbs.)	Travel	Measurements			Description	Pkg.	Lbs.
			Retracted	Extended	Clearance			
500185	4,000	17"	9.75"	34.50"	24.00"	White Cover, includes Drop Leg	Ind. Pack	23
500186	4,000	17"	9.75"	34.50"	24.00"	Black Cover, includes Drop Leg	Ind. Pack	23



Built-In Level



Emergency Manual Override

Replacement Service Parts

Part No.	Description	Packaging
500190	Drop leg and pin kit.	Ind. Pack
500191	Manual override crank bolt kit.	Polybag
500192	Bottom cover and screws.	Polybag
500193	Level assembly and screws.	Polybag
500194	Manual override cover kit.	Polybag
500196	LED light assembly and bulb.	Polybag



500198

A-FRAME JACK WITH POWERED DRIVE

- 18" travel.
- Integrated circuit breaker.
- Works in case of power loss with supplied manual override crank handle.
- Gloss black painted outer tube and motor assembly, clear zinc inner tube.
- Limited 1-year warranty.



A-FRAME JACK WITH POWERED DRIVE

Part No.	Lift Cap. (lbs.)	Travel	Measurements			Description	Pkg.	Lbs.
			Retracted	Extended	Clearance			
500198	2,500	18"	8.50"	26.50"	N/A	Powered A-Frame Jack without Footplate, Manual Override Crank Included	Ind. Pack	20



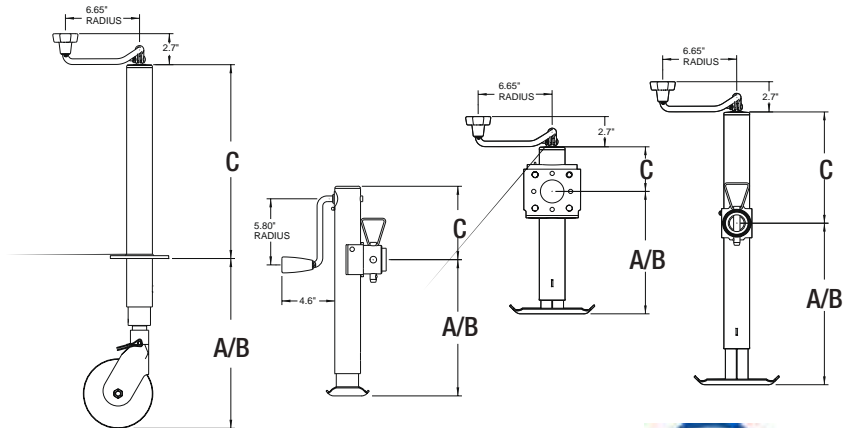
ROUND JACKS

BULLDOG round jacks are recognized as the industry standard by leading agricultural, commercial, horse, livestock, and other trailer manufacturers. For more than three quarters of a century, BULLDOG jacks have been demonstrated to be the most reliable, field-proven jacks on the market.

- Smooth, comfortable, ergonomic design
- Dependable vertical and side load capacity
- Proven reliability for long term use at rated loads
- Precision fitted parts for extra stability
- A-Frame models listed have grey painted outer and inner tubes - All other models have grey painted outer and clear zinc inner tubes
- Custom finishes are available upon request



155022



Travel and Clearance Diagram
 A= Retracted B= Extended C= Clearance Height



THE CHOICE WHEN
 APPLICATION REQUIRES
 COMPLIANCE WITH
 ASABE S485 STANDARDS



151401



178201



STANDARD ROUND JACKS - TUBULAR SWIVEL - ROUND

Part No.	Model No.	Lift Cap. (lbs.)	Handle Style	Travel	Measurements			Description	Lbs.
					A Retracted	B Extended	C Clearance		
158451 ♦	TWS 158 DTSF w/P&C	2,000	Topwind	10"	11.00"	21.00"	4.00"	Weld-on tubular mount with 9/16" pin and foot plate. Male mating mount included.	13.5
158452 ♦	TWL 158 DTSF w/P&C	2,000	Topwind	15"	14.50"	29.50"	10.00"	Weld-on tubular mount with 9/16" pin and foot plate. Male mating mount included.	16.0
150441	TWS 150 DTSFX w/P&C	2,000	Topwind	10"	11.00"	21.00"	4.00"	Weld-on tubular mount, with 9/16" pin and foot plate. Clear zinc finish. Mating mount sold separately.	10.0
158488	TWL 150 DTSF w/P&C	2,000	Topwind	15"	16.00"	31.00"	4.00"	Weld-on tubular mount with 9/16" pin and foot plate. Clear zinc finish. Male mating mount included.	14.2
158109	SWS 158 DTSF w/P&C	2,000	Sidewind	10"	10.80"	20.80"	6.40"	Weld-on tubular mount with 9/16" pin and foot plate. Male mating mount included.	14.0
158151 ♦	SWL 158 DTSF w/P&C	2,000	Sidewind	15"	14.50"	29.50"	12.20"	Weld-on tubular mount with 9/16" pin and foot plate. Male mating mount included.	16.0
178101 ♦	TWS 178 DTSF w/P&C	5,000	Topwind	10"	11.25"	21.25"	4.00"	Weld-on tubular mount with 9/16" pin and foot plate. Male mating mount included.	14.5
178151	TWL 178 DTSF w/P&C	5,000	Topwind	15"	14.70"	29.70"	10.00"	Weld-on tubular mount with 9/16" pin and foot plate. Male mating mount included.	18.0
178201 ♦	SWS 178 DTSF w/P&C	5,000	Sidewind	10"	10.40"	20.40"	6.40"	Weld-on tubular mount with 5/8" pin and foot plate. Male mating mount included.	15.0
178203	SWL 178 DTSF w/P&C	5,000	Sidewind	15"	15.40"	30.40"	6.40"	Weld-on tubular mount with 5/8" pin and foot plate. Male mating mount included.	18.0
198100	TWS 198 DTSM w/P&C	7,000	Topwind	10"	10.80"	20.80"	4.50"	Weld-on tubular mount with 5/8" pin and foot plate. Female mating mount included.	17.0
198200	TWL 198 DTSM w/P&C	7,000	Topwind	15"	15.80"	30.80"	4.25"	Weld-on tubular mount with 5/8" pin and foot plate. Female mating mount included.	20.0
198150 ♦	SWS 198 DTSM w/P&C	7,000	Sidewind	10"	11.00"	21.00"	6.40"	Weld-on tubular mount with 5/8" pin and foot plate. Female mating mount included.	19.0
198250	SWL 198 DTSM w/P&C	7,000	Sidewind	15"	16.00"	31.00"	6.40"	Weld-on tubular mount with 5/8" pin and foot plate. Female mating mount included.	21.0

STANDARD ROUND JACKS - A-FRAME

Part No.	Model No.	Lift Cap. (lbs.)	Handle Style	Travel	Measurements			Description	Lbs.
					A Retracted	B Extended	C Clearance		
155022 ♦	TWL 155	2,000	Topwind	15"	8.80"	23.80"	12.20"	Weld-on/bolt-on bracket. Less wheel or base.	12.5
155028	TWL 155	2,000	Topwind	15"	8.40"	23.40"	13.00"	Weld-on/bolt-on bracket. Less wheel or base. Clear zinc finish.	12.5
155033	TWL 155X	2,000	Topwind	15"	5.40"	20.40"	16.00"	Weld-on/bolt-on bracket. Less wheel or base.	12.5
155157 ♦	SWL 155X (RV)	2,000	Sidewind	13"	8.60"	21.50"	13.00"	External gear box. Handle to front. Weld-on/bolt-on bracket. Less wheel or base.	14.0
1550100317	SWL 155 X	3,000	Sidewind	13"	7.00"	20.00"	14.50"	Weld-on/bolt-on bracket. Less wheel or base.	14.0
1550101344	SWL 155 X	3,000	Sidewind	13"	7.00"	20.00"	14.50"	Weld-on/bolt-on bracket. Less wheel or base. Clear zinc finish.	14.0
155032 ♦	TWL 155 HD	5,000	Topwind	15"	10.30"	25.30"	10.20"	Weld-on/bolt-on bracket. Less wheel or base. (5000 lb. vertical load capacity)	13.3
1750290317 ♦	TWL 175	5,000	Topwind	15"	10.82"	25.82"	10.70"	Weld-on/bolt-on bracket. Less wheel or base.	13.3
1750290301	TWL 175	5,000	Topwind	15"	10.82"	25.82"	10.70"	Weld-on/bolt-on bracket. Less wheel or base. Clear zinc finish.	13.3
1700100317	SWL 175	5,000	Sidewind	15"	8.60"	23.60"	12.75"	Weld-on/bolt-on bracket. Less wheel or base.	15.5

NOTE: Review price list or contact customer service for package quantities and full part number. Other custom-made designs are available upon request.

♦ DENOTES MOST POPULAR



155157



158451



STANDARD ROUND JACKS - WELD-ON RETAINING RING SWIVEL

Part No.	Model No.	Lift Capacity	Handle Style	Travel	Measurements			Description	Lbs.
					A Retracted	B Extended	C Clearance		
151401 ♦	TWS 151 DS	2,000	Topwind	10"	11.00"	21.00"	4.00"	Weld-on L-bend swivel bracket assembled. 1/2" diameter plunger pin. With footplate.	13.0
151421	TWL 151 DS	2,000	Topwind	15"	14.50"	29.50"	10.00"	Weld-on L-bend swivel bracket assembled. 1/2" diameter plunger pin. With footplate.	16.0
151460	TWS 151 DS	2,000	Topwind	10"	11.00"	21.00"	4.00"	3/8" diameter plunger pin. With footplate. Clear zinc finish. WELD-ON L-BEND SWIVEL BRACKET SOLD SEPARATELY.	11.4
151101 ♦	SWS 151 DS	2,000	Sidewind	10"	11.00"	21.00"	6.40"	Weld-on L-bend swivel bracket assembled. 1/2" diameter plunger pin. With footplate.	13.0
151159	SWL 151 DS	2,000	Sidewind	15"	14.50"	29.50"	12.20"	Weld-on L-bend swivel bracket assembled. 1/2" diameter plunger pin. With footplate.	17.0
171401	TWS 171 DS	5,000	Topwind	10"	11.25"	21.25"	4.00"	Weld-on L-bend swivel bracket assembled. 1/2" diameter plunger pin. With footplate.	14.0
171412	TWL 171 DS	5,000	Topwind	15"	14.50"	29.50"	10.00"	Weld-on L-bend swivel bracket assembled. 1/2" diameter plunger pin. With footplate.	17.0

STANDARD ROUND JACKS - BOLT-ON RETAINING RING SWIVEL

Part No.	Model No.	Lift Capacity	Handle Style	Travel	Measurements			Description	Lbs.
					A Retracted	B Extended	C Clearance		
151443 ♦	TWS 159 SX	2,000	Topwind	10"	11.00"	21.00"	4.00"	Bolt-on swivel bracket assembled with mounting hardware. 1/2" diameter plunger pin. Without base. Fits tongue up to 3" x 4".	12.25

STANDARD ROUND JACKS - WITHOUT MOUNT

Part No.	Model No.	Lift Capacity	Handle Style	Travel	Measurements			Description	Lbs.
					A Retracted	B Extended	C Clearance		
150152	SWL 150	2,000	Sidewind	15"	26.60"	41.60"	N/A	No foot, no mount, painted outer tube, zinc inner tube.	13.0
150000	TWL 150	2,000	Topwind	10"	15.00"	25.00"	N/A	No foot, no mount, painted outer tube, zinc inner tube.	7.2
1701480317	TWL 170	5,000	Topwind	15"	21.00"	36.00"	N/A	No foot, no mount, painted outer tube, zinc inner tube.	11.45
170205	SWL 170	5,000	Sidewind	15"	19.20"	34.20"	N/A	No foot, no mount, painted outer tube, zinc inner tube.	12.14

STANDARD ROUND JACKS - BOLT-ON FIXED MOUNT

Part No.	Model No.	Lift Capacity	Handle Style	Travel	Measurements			Description	Lbs.
					A Retracted	B Extended	C Clearance		
1511180301	SWL 151 DSX	2,000	Sidewind	15"	6.5"	21.50"	20.25"	Clear zinc finish. With footplate. Mounting hardware NOT included.	16.40

NOTE: Review price list or contact Customer Service for package quantities and full part number. Other custom-made designs are available upon request.

♦ DENOTES MOST POPULAR





0050240300



500239

ROUND JACK MOUNTING OPTIONS

Part No.	Description	Style
P9222-00	Weld-on retaining ring swivel mount	Weld-on
0050240300	Female tubular swivel mount, 5/8" hole	Weld-on
500239	Male tubular swivel mount, 9/16" hole	Weld-on
0031350300	A-frame bottom support plate	Weld-on



500256



500105 / 500171

ROUND JACK HANDLE OPTIONS

Part No.	Description
500256	Sidewind
500105	Sidewind
500180	Topwind
500148	Topwind
500171	Sidewind



500180



500148

ROUND JACK WHEEL / FOOT OPTIONS

Part No.	Description
017125	Removable steel caster. Reduces overall jack capacity to 1,000 lbs.
CE555 0101	Removable polyolefin caster. Reduces overall jack capacity to 1,200 lbs. (boxed)
CE555 0301	Removable polyolefin caster. Reduces overall jack capacity to 1,200 lbs. (bulk)
500244	Detachable base, 2.1" height
018098	Detachable base, 6.2" height
500245	Removable 6" caster with pin. Fits jacks with 2" inner tube



017125

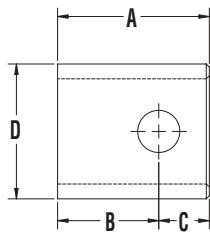


CE555 0301



500244

TUBE MOUNTS



Tube Mount Diagram



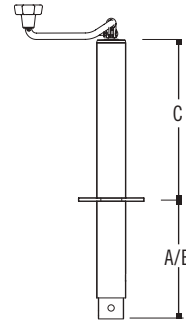
0152790300

Part No.	Style	Pin Diameter	Measurements				Fits
			A	B	C	D	
0050050300	Weld-on, male	9/16"	2.25"	1.50"	0.75"	2.00"	2.50"
0152790300	Weld-on, male	5/8"	2.25"	1.50"	0.75"	2.00"	2.50"
0050240300	Weld-on, female	5/8"	2.50"	1.62"	0.88"	3.00"	2.50"
0152730300	Weld-on, male	9/16"	1.88"	1.13"	0.75"	2.00"	2.50"
0152710300	Weld-on, female	9/16"	1.62"	0.88"	0.75"	2.50"	2.00"
0031550300	Weld-on, female	3/4"	3.00"	1.59"	1.41"	3.25"	2.50"
7011800300	Weld-on, male	7/8"	3.31"	1.90"	1.41"	2.50"	3.25"
005122	Weld-on, female	7/8"	2.80"	1.58"	1.22"	4.00"	3.25"
005164	Weld-on, female	5/8"	2.50"	1.50"	1.00"	3.00" sq.	2.50" sq.
PQM19-00	Weld-on, male	5/8"	2.13"	1.25"	0.88"	2.00" sq.	2.50" sq.



ROUND JACKS

- Designed for use with trailers with A-Frame couplers
- Weld-on or Bolt-on mounting option
- A-frame models have black painted outer and inner tubes, all other models have black painted outer and clear zinc inner tubes



Travel and Clearance
 A = Retracted
 B = Extended
 C = Clearance Height

Actual product may vary slightly from image shown.

STANDARD ROUND JACKS - A-FRAME WITHOUT FOOTPLATE

Part No.	Lift Capacity	Handle Style	Travel	A Retracted	Measurements B Extended	C Clearance	Description	Lbs.
RV20000103	2,000	Sidewind	14"	9.00"	23.00"	13.00"	Front Facing Handle, Boxed	12.00
RV20000303	2,000	Sidewind	14"	9.00"	23.00"	13.00"	Front Facing Handle	12.00
EA20000103	2,000	Topwind	14"	8.00"	22.00"	11.00"	Boxed	11.00
EA20000303	2,000	Topwind	14"	8.00"	22.00"	11.00"		11.00
EA20000340	2,000	Topwind	14"	8.00"	22.00"	11.00"	Clear Zinc Inner & Outer Tubes	11.00
1401000303	2,000	Topwind	15"	5.50"	20.50"	16.00"		12.50
1400600303	5,000	Topwind	15"	10.80"	25.80"	14.55"		13.00

Unless otherwise noted, A-Frame Without Footplate Jacks: 1) Finish is black painted inner and outer tubes 2) Jacks are bulk packed



1400750340



1400700340

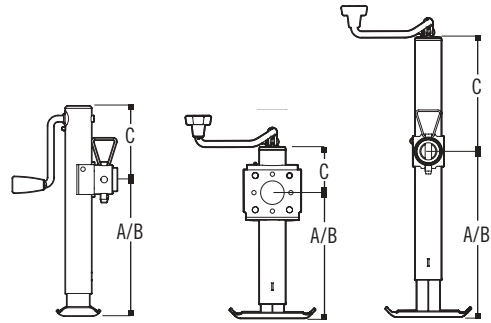
STANDARD ROUND JACKS - A-FRAME ACCESSORIES

Part No.	Capacity	Description	Lbs.
1400700340	5,000	Removable Footplate, 2.10" Tall, Fits 2" Inner Tube, Includes Pull Pin Assembly, Clear Zinc Finish	2.50
1400750340	1,200	Removable 6" Caster, Includes Pull Pin Assembly, Clear Zinc Finish	4.00



ROUND JACKS

- Designed for use with recreational and utility trailers
- Bolt-on versions include all necessary mounting hardware
- Weld-on versions include mating mount and retaining ring
- A-frame models have black painted outer and inner tubes, all other models have black painted outer and clear zinc inner tubes



Travel and Clearance
 A = Retracted
 B = Extended
 C = Clearance Height

Actual product may vary slightly from image shown.

STANDARD ROUND JACKS - RETAINING RING SWIVEL, BOLT-ON, WITH FOOTPLATE

Part No.	Lift Capacity	Handle Style	Travel	Measurements			Description	Lbs.
				A Retracted	B Extended	C Clearance		
1400300303	2,000	Topwind	10"	11.00"	21.00"	4.00"	Mounting Hardware Included	14.25

STANDARD ROUND JACKS - RETAINING RING SWIVEL, WELD-ON, WITH FOOTPLATE

Part No.	Lift Capacity	Handle Style	Travel	Measurements			Description	Lbs.
				A Retracted	B Extended	C Clearance		
1401140303	2,000	Topwind	10"	11.00"	21.00"	4.00"	Mating Mount & Retaining Ring Included	11.00
1401040303	2,000	Topwind	15"	14.50"	29.50"	10.00"	Mating Mount & Retaining Ring Included	15.00
1401020303	2,000	Sidewind	10"	10.40"	20.40"	6.29"	Mating Mount & Retaining Ring Included	12.00
1401030303	2,000	Sidewind	15"	14.40"	29.40"	12.25"	Mating Mount & Retaining Ring Included	16.00

STANDARD ROUND JACKS - TUBULAR SWIVEL, WELD-ON, WITH FOOTPLATE

Part No.	Lift Capacity	Handle Style	Travel	Measurements			Description	Lbs.
				A Retracted	B Extended	C Clearance		
1401060303	2,000	Sidewind	10"	11.20"	21.20"	5.45"	Mating Mount & Pull Pin Included	11.50
1401080303	2,000	Sidewind	15"	14.40"	29.40"	12.25"	Mating Mount & Pull Pin Included	15.50
1400400303	2,000	Topwind	10"	11.00"	21.00"	4.00"	Mating Mount & Pull Pin Included	11.00
1401200303	2,000	Topwind	15"	14.50"	29.50"	10.00"	Mating Mount & Pull Pin Included	15.00
1401420303	5,000	Sidewind	10"	10.50"	20.50"	6.25"	Mating Mount & Pull Pin Included	12.00
1401440303	5,000	Sidewind	15"	15.50"	30.50"	6.25"	Mating Mount & Pull Pin Included	15.00
1401460303	5,000	Topwind	10"	11.20"	21.20"	4.00"	Mating Mount & Pull Pin Included	12.50
1401480303	5,000	Topwind	15"	14.70"	29.70"	10.00"	Mating Mount & Pull Pin Included	16.50

Unless otherwise noted, A-Frame Without Footplate Jacks: 1) Finish is black painted inner and outer tubes 2) Jacks are bulk packed



SQUARE JACKS

Square Up for Side Load Strength

Compared to round jacks of similar capacities, BULLDOG's 5,000 lb. support capacity square jack dramatically improves side load strength while maintaining the economical benefits of lower capacity jacks. The extra side load capacity you need without the costs of increasing overall capacity.

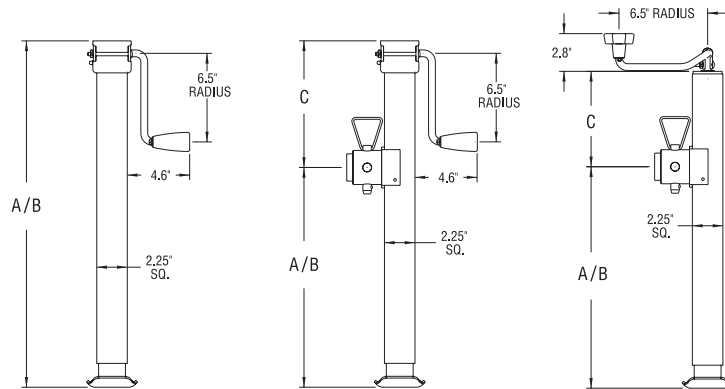
- 12-gauge square tube is 70% stronger than 12-gauge round tube for more side load and support strength with the same lift capacity
- 4.62" outer tube overlap at full extension for additional side load strength
- Weather-resistant materials and coatings. Painted outer tubes, clear zinc inner tubes
- Proven, reliable mechanical elements provide dependable strength and long-lasting, durable performance
- Mounts included in this series of jacks



THE CHOICE WHEN APPLICATION REQUIRES COMPLIANCE WITH ASABE S485 STANDARDS



195356



Travel and Clearance Diagram
A= Retracted B= Extended C= Clearance Height



195312



195321



SQUARE JACKS - TUBULAR SWIVEL MOUNT - ROUND

5,000 LBS. SUPPORT CAPACITY - 3,000 LBS. LIFT CAPACITY

Part No.	Model No.	Support Capacity	Handle Style	Travel	Measurements			Description	Lbs.
					A Retracted	B Extended	C Clearance		
195306 ♦	TWL 195 DTSFQ	5,000	Topwind	15"	15.20"	30.20"	7.00"	Fixed leg with base. With tubular swivel mount (includes male mating mount, pin, and chain).	17.5
195356 ♦	SWL 195 DTSFQ w/P&C	5,000	Sidewind	15"	15.10"	30.10"	9.25"	Fixed leg with base. With tubular swivel mount (includes male mating mount, pin, and chain).	18.5

Patent Pending. NOTE: Contact Price List or Customer Service for package quantities and full part number. ♦ DENOTES MOST POPULAR

SQUARE JACKS - TUBULAR SWIVEL MOUNT - SQUARE

5,000 LBS. SUPPORT CAPACITY - 3,000 LBS. LIFT CAPACITY

Part No.	Model No.	Support Capacity	Handle Style	Travel	Measurements			Description	Lbs.
					A Retracted	B Extended	C Clearance		
195312 ♦	TWL 195 DTSXFQ w/P&C	5,000	Topwind	15"	15.20"	30.20"	7.00"	Fixed leg with base. Square mount welded to outer tube (includes male mating mount, pin, and chain).	17.5
195362	SWL 195 DTSXFQ w/P&C	5,000	Sidewind	15"	15.10"	30.10"	9.25"	Fixed leg with base. Square mount welded to outer tube (includes male mating mount, pin, and chain).	18.4

Patent Pending. NOTE: Contact Price List or Customer Service for package quantities and full part number. ♦ DENOTES MOST POPULAR

SQUARE JACKS - A-FRAME

5,000 LBS. SUPPORT CAPACITY - 3,000 LBS. LIFT CAPACITY

Part No.	Model No.	Support Capacity	Handle Style	Travel	Measurements			Description	Lbs.
					A Retracted	B Extended	C Clearance		
195318	TWL 195 DL-DFXQ	5,000	Topwind	15"	7.90"	36.50"	14.70"	Drop leg with base. Drop leg offers 13.50" additional adjustment.	19.3
195321 ♦	TWL 195 FL-FXQ	5,000	Topwind	15"	7.40"	22.40"	14.70"	Fixed leg less base. Drop leg offers 13.50" additional adjustment.	13.8
195322	TWL 195 DL-DFXQ	5,000	Topwind	15"	7.90"	36.50"	14.70"	Drop leg with base. Drop leg offers 13.50" additional adjustment. Zinc-plated inner and outer tubes.	19.3

Patent Pending. NOTE: Contact Price List or Customer Service for package quantities and full part number. ♦ DENOTES MOST POPULAR

SQUARE JACKS - DIRECT WELD

5,000 LBS. SUPPORT CAPACITY - 3,000 LBS. LIFT CAPACITY

Part No.	Model No.	Support Capacity	Handle Style	Travel	Measurements			Description	Lbs.
					A Retracted	B Extended	C Clearance		
195301 ♦	TWL 195 DQ	5,000	Topwind	15"	22.20"	37.20"	N/A	Fixed leg with base.	14.1
195304 ♦	TWL 195 DL-DXQ	5,000	Topwind	15"	22.60"	51.20"	N/A	Drop leg with base. Drop leg offers 13.50" additional adjustment.	18.2
195319	TWL 195 FL-BXQ	5,000	Topwind	15"	22.30"	37.30"	N/A	Fixed leg with caster base.	14.1
195320	TWL 195 FL-XQ	5,000	Topwind	15"	22.10"	37.10"	N/A	Fixed leg less base.	12.7
195352	SWL 195 DQ	5,000	Sidewind	15"	24.40"	39.40"	N/A	Fixed leg with base.	16.1
195354 ♦	SWL 195 DL-DXQ	5,000	Sidewind	15"	25.50"	54.10"	N/A	Drop leg with base. Drop leg offers 13.50" additional adjustment.	20.2
195368	SWL 195 FL-XQ	5,000	Sidewind	15"	24.40"	39.40"	N/A	Fixed leg with caster base.	16.1
195369	SWL 195 FL-XQ	5,000	Sidewind	15"	24.20"	39.20"	N/A	Fixed leg less base.	14.7

Patent Pending. NOTE: Contact Price List or Customer Service for package quantities and full part number. ♦ DENOTES MOST POPULAR



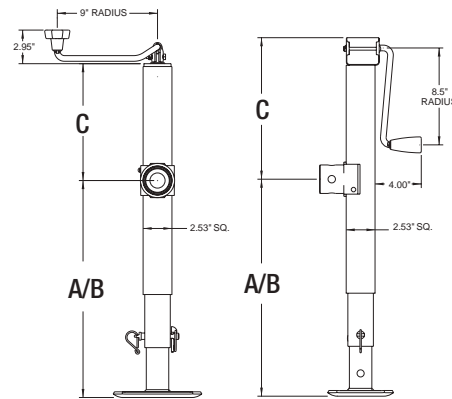
THE CHOICE WHEN APPLICATION REQUIRES COMPLIANCE WITH ASABE S485 STANDARDS



SQUARE JACKS

BULLDOG's 8,000 lb. support capacity square jack serves the agricultural, industrial, construction, horse/livestock trailer, and utility/cargo trailer markets. We have packed "Big Jack Power" into this compact design! The compact design of these jacks makes them ideal for tight-fitting applications where 3" and 4" square tube jacks are too big! This is a perfect transition from BULLDOG's round jack product line.

- Use the painted outer tube as the final finish or primer
- Zinc-plated inner tube and drop leg
- 4.7" Outer / inner tube overlap - results in optimal side load performance
- 5/8" screw stem - provides insurance against screw stem twisting off
- Patented screw nut stop - prevents screw and/or nut damage when jack is fully extended
- Topwind models - bushing in top cap, eagle claw grip
- Sidewind models - 1/4" cross pin connects gear train to screw stem - guards against shearing jack pin
- Sidewind models - 1:1.33 gear ratio



Travel and Clearance Diagram
 A= Retracted
 B= Extended
 C= Clearance Height

SQUARE JACKS - TUBULAR SWIVEL MOUNT

8,000 LBS. SUPPORT CAPACITY - 5,000 LBS. LIFT CAPACITY

Part No.	Model No.	Support Capacity	Handle Style	Travel	Measurements			Description	Lbs.
					A Retracted	B Extended	C Clearance		
190705 ♦	TWS 190 FL-B TSMQ w/P&C	8,000	Topwind	10"	11.41"	21.41"	4.25"	Fixed leg with heavy-duty base. With tubular swivel mount (includes mating mount, pin and chain).	18.0
190706	TWL 190 FL-B TSMQ w/P&C	8,000	Topwind	15"	12.16"	27.16"	10.25"	Fixed leg with heavy-duty base. With tubular swivel mount (includes mating mount, pin and chain).	22.5
190708	TWL 190 DL-B TSMQ w/P&C	8,000	Topwind	15"	12.66"	41.16"	10.25"	Drop leg with heavy-duty base. Drop leg offers 13.50" additional adjustment. With tubular swivel mount (includes mating mount, pin and chain).	27.0
190756 ♦	SWL 190 FL-B TSMQ w/P&C	8,000	Sidewind	15"	12.16"	27.16"	12.40"	Fixed leg with heavy-duty base. With tubular swivel mount (includes mating mount, pin and chain).	24.0
190758	SWL 190 DL-B TSMQ w/P&C	8,000	Sidewind	15"	12.66"	41.16"	12.40"	Drop leg with heavy-duty base. Drop leg offers 13.50" additional adjustment. With tubular swivel mount (includes mating mount, pin and chain).	28.5

SQUARE JACKS - DIRECT WELD

8,000 LBS. SUPPORT CAPACITY - 5,000 LBS. LIFT CAPACITY

Part No.	Model No.	Support Capacity	Handle Style	Travel	Measurements			Description	Lbs.
					A Retracted	B Extended	C Clearance		
190704 ♦	TWL 190 DL-BQ	8,000	Topwind	15"	22.66"	51.41"	N/A	Drop leg with heavy-duty base. Drop leg offers 13.50" additional adjustment.	23.5
190754 ♦	SWL 190 DL-BQ	8,000	Sidewind	15"	25.06"	53.56"	N/A	Drop leg with heavy-duty base. Drop leg offers 13.50" additional adjustment.	25.0

Patent Pending. NOTE: Other custom-made designs are available upon request. ♦ DENOTES MOST POPULAR



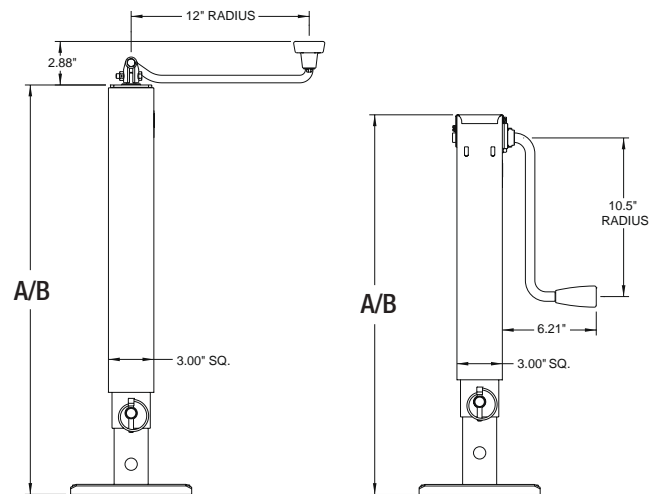
SQUARE JACKS

BULLDOG 10,000 lb. support capacity square jacks "fills the gap" between 8,000 lb. and 12,000 lb. square jack product offerings. If the existing 8,000 lb. support capacity square jacks are too small or the 12,000 lb. support capacity square jacks are too big, look no further – your application and pricing requirements have been met! This is the highest quality and best performing jack available in the marketplace today, a total balance between capacity, speed, and effort.

- Heavy-gauge 3" square tubing allows for direct weld mounting wherever the application allows – no burn through
- Use the painted outer tube as the final finish or primer
- Zinc-plated inner tube and drop leg
- Heavy-duty base, with reinforcement ribs, zero water retention
- Precision manufactured for long term reliability and smooth, easy cranking
- Grease zerks for easy lubrication as needed
- Oil-impregnated bushing for improved bearing and gear life
- Direct weld to outer tube is standard
- Sidewind models - 1:1.86 gear ratio



THE CHOICE WHEN APPLICATION REQUIRES COMPLIANCE WITH ASABE S485 STANDARDS



Travel and Clearance Diagram
A= Retracted B= Extended

SQUARE JACKS - DIRECT WELD

10,000 LBS. SUPPORT CAPACITY - 7,200 LBS. LIFT CAPACITY

Part No.	Model No.	Support Capacity	Handle Style	Travel	Measurements		Description	Lbs.
					A Retracted	B Extended		
180304 ♦	TWS 180 DL-BQ	10,000	Topwind	10"	18.18"	38.31"	Drop leg with heavy-duty base. Drop leg offers 10.12" additional adjustment.	24.5
180354	TWL 180 DL-BQ	10,000	Topwind	15"	22.93"	51.43"	Drop leg with heavy-duty base. Drop leg offers 13.50" additional adjustment.	30.0
180455 ♦	SWL 180 DL-BQ	10,000	Sidewind	15"	25.67"	54.17"	Drop leg with heavy-duty base. Drop leg offers 13.50" additional adjustment.	32.5

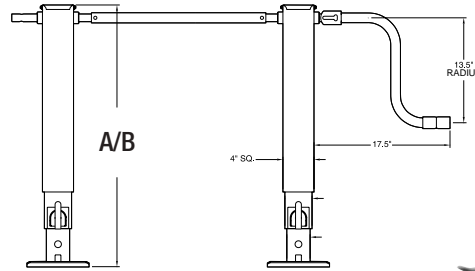
Patent Pending. NOTE: Contact Price List or Customer Service for package quantities and full part number. Other custom-made designs are available upon request. ♦ DENOTES MOST POPULAR

HEAVY DUTY SQUARE JACKS

HEAVY DUTY SQUARE JACKS

Strong, durable, and sturdy, the BULLDOG 12,000 lb. support capacity square jack is the BIG reason why BULLDOG has carried the load in agricultural, construction, heavy-duty utility, and horse/livestock trailer industries since 1923. All BULLDOG 4" square jacks are rated for 12,000 lb. support capacity and 10,000 lb. lift capacity. The strength of the product, plus the wide variety of styles, makes this jack the best choice in its product class.

- 4" square tubing, 7-gauge superior alloy steel
- Painted outer tube, inner tube, and drop leg
- Drop leg option with 5 positioning holes
- Easy-access gear box with grease fitting for routine maintenance
- Spring return drop leg or non-spring return drop leg
- 12.5" screw travel, 13.5" of additional adjustment with drop leg
- Front facing drop leg plunger pin or side facing drop leg plunger pin
- Painted (with or without labels) or powder paint optional
- Sidewind models - 1:1.5 gear ratio



Pin to front tandem application



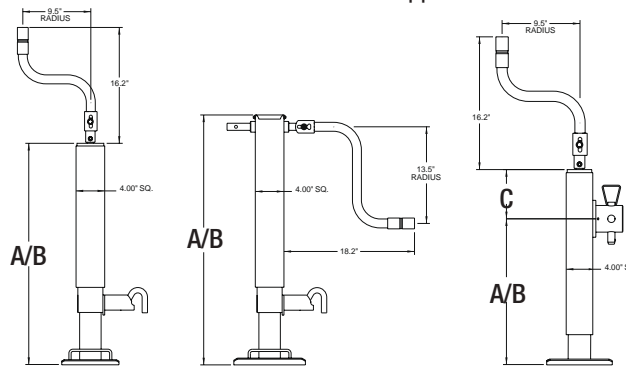
Pin to Side
182800

Travel and Clearance Diagram

A= Retracted

B= Extended

C= Clearance Height



Pin to Front
182415

SQUARE JACKS - DIRECT WELD - NON-SPRING RETURN

12,000 LBS. SUPPORT CAPACITY - 10,000 LBS. LIFT CAPACITY

Part No.	Model No.	Support Capacity	Handle Style	Travel	Measurements			Description	Lbs.
					A Retracted	B Extended	C Clearance		
182300	TWQ 180 DL-B	12,000	Topwind	12.5"	23.4"	49.4"	N/A	Drop leg jack with standard disc foot. 13.5" of additional drop leg extension. Crank sold separately.	50.0
182304 ♦	TWQ 180 DL-BC	12,000	Topwind	12.5"	23.4"	49.4"	N/A	Drop leg jack with standard disc foot. 13.5" of additional drop leg extension. Crank included.	53.0
182400 ♦	SWQ 180 DL-B	12,000	Sidewind	12.5"	27.4"	53.3"	N/A	Drop leg jack with standard disc foot. 13.5" of additional drop leg extension. Drop leg pull pin to the SIDE. Crank sold separately.	58.0
182404	SWQ 180 DL-BC	12,000	Sidewind	12.5"	27.4"	53.3"	N/A	Drop leg jack with standard disc foot. 13.5" of additional drop leg extension. Drop leg pull pin to the SIDE. Crank included.	61.5
182411	SWQ 180 DL-B	12,000	Sidewind	12.5"	27.4"	53.5"	N/A	Drop leg jack with standard disc foot. 13.5" of additional drop leg extension. Drop leg pull pin to the SIDE. Crank sold separately. Companion jack to 182400 and 182404.	58.0
182415 ♦	SWQ 180 DL-BX	12,000	Sidewind	12.5"	28.6"	54.6"	N/A	Drop leg jack with standard disc foot. 13.5" of additional drop leg extension. Drop leg pull pin to the FRONT. Crank sold separately.	58.0
182500	SWQ 180 FL-B	12,000	Sidewind	12.5"	27.0"	39.5"	N/A	Fixed leg jack with standard disc foot. Crank sold separately.	47.0

Patent Pending. NOTE: Contact Price List or Customer Service for package quantities and full part number. Other custom-made designs are available upon request. ♦ DENOTES MOST POPULAR



SQUARE JACKS - DIRECT WELD - SPRING RETURN

12,000 LBS. SUPPORT CAPACITY - 10,000 LBS. LIFT CAPACITY

Part No.	Model No.	Support Capacity	Handle Style	Travel	Measurements			Description	Lbs.
					A Retracted	B Extended	C Clearance		
182800 ♦	SWQ 180 DL-B-SR	12,000	Sidewind	12.5"	27.4"	53.6"	N/A	Drop leg jack with standard disc foot. 13.5" of additional drop leg extension. Drop leg pull pin to the SIDE. Crank sold separately.	57.4
182804	SWQ 180 DL-BC-SR	12,000	Sidewind	12.5"	27.4"	53.6"	N/A	Drop leg jack with standard disc foot. 13.5" of additional drop leg extension. Drop leg pull pin to the SIDE. Includes crank.	60.9
182805	SWQ 180 DL-BX RH	12,000	Sidewind	12.5"	27.4"	53.5"	N/A	Drop leg jack with standard disc foot. 13.5" of additional drop leg extension. Drop leg pull pin to the SIDE. Crank sold separately. Companion jack to 182800, 182802, and 182804	57.4
182815 ♦	SWQ 180 DL-BX	12,000	Sidewind	12.5"	28.6"	54.6"	N/A	Drop leg jack with standard disc foot. 13.5" of additional drop leg extension. Drop leg pull pin to the FRONT. Crank sold separately.	58.0

Patent Pending. NOTE: Contact Price List or Customer Service for package quantities and full part number. Other custom-made designs are available upon request. ♦ DENOTES MOST POPULAR

SQUARE JACKS - TUBULAR SWIVEL - NON-SPRING RETURN

12,000 LBS. SUPPORT CAPACITY - 10,000 LBS. LIFT CAPACITY

Part No.	Model No.	Support Capacity	Handle Style	Travel	Measurements			Description	Lbs.
					A Retracted	B Extended	C Clearance		
182524	SWQ 180 TS-FL-BCX	12,000	Sidewind	12.5"	17.0"	29.6"	10.1"	Fixed leg jack with standard disc foot. Includes crank. Includes 3.25" diameter tube mount with pin and chain. Does not include mating mount (005122).	52.0

Patent Pending. NOTE: Contact Price List or Customer Service for package quantities and full part number. Other custom-made designs are available upon request. ♦ DENOTES MOST POPULAR



005122
Female Mating Mount
(Purchased separately)



701466

REMOVABLE CRANKS

Part No. 701466

- Non-slotted design for better weather resistance and 2-speed performance
- Remains firmly attached for convenience or may be removed easily for theft deterrence
- Fits 1" schedule 40 steel pipe for remote mounting

ACCESSORIES - 12,000 LB. SUPPORT CAPACITY JACKS

Part No.	Description	Lbs.
005122	Weld-on female mount for 7/8" pull pin. 4.00" O.D., 3.375" I.D., 2.75" long.	3.0
015181	Sidewind crank assembly with 13.50" radius. Vertical clevis. Mounting hardware included. Extends 17.50" from the jack. Black primed finish.	3.5
800102	Sidewind crank assembly with 13.50" radius. Horizontal clevis. Mounting hardware included. Extends 17.50" from the jack. Black primed finish.	3.5
800075	Topwind crank assembly with 9.50" radius. Vertical clevis. Mounting hardware included. Extends 15.50" from the top of the jack. Black primed finish.	3.0
800090	Sidewind crank assembly with 13.50" radius. Horizontal clevis. Mounting hardware included. Extends 17.50" from the jack. Black primed finish.	4.5
701466	Removable sidewind crank with 13.5" offset radius. All zinc-plated crank. Dual handle grips for cranking and shifting. For use with OEM supplied out-board bushing or may be attached directly on jack gearbox. Needs 012378 adapter with traditional gearbox.	4.0
CS730300	Cross shaft extension tube 72.75" to connect jacks in tandem application	10.0

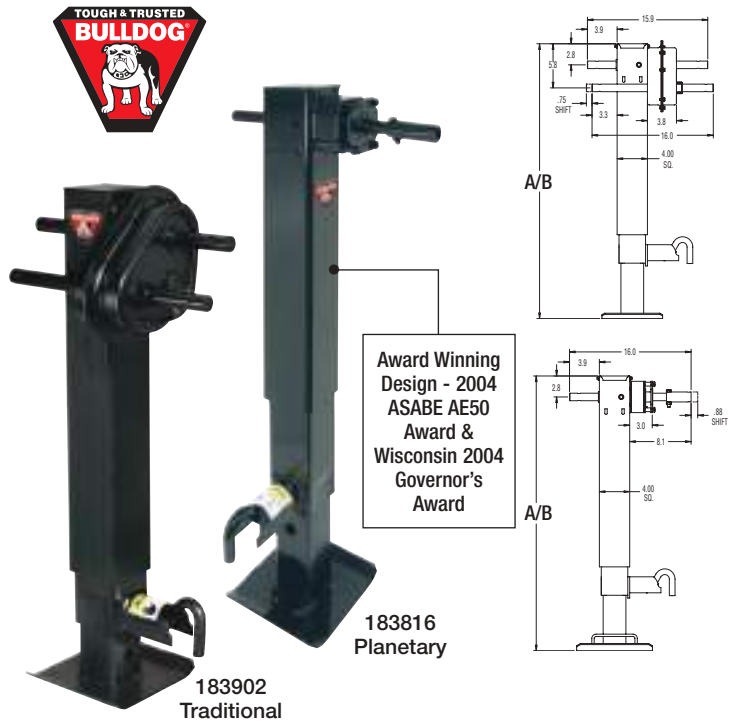
2-SPEED SQUARE JACKS

2-SPEED SQUARE JACKS

The First 2-Speed Gearbox Designed with a Drop Leg Jack in Mind.

BULLDOG's 2-speed 12,000 lb. support capacity square jack makes cranking easier when fully loaded and faster when unloaded. In low gear, the ratio delivers full lifting power at a super-smooth, easy-lifting 27 turns per 1" (planetary) and 29 turns per 1" (traditional) of travel. In high gear, the cranking ratio is a speedy 9 turns per 1" of travel, the fastest in its weight class.

- State of the art 2 speed gearbox with power and speed for the most effective and efficient jack at all loads
- Designed for today's standard agricultural, construction and industrial trailer applications.
- User friendly design makes operation smooth and easy
- Engineered alloys for enhanced strength, stability and sideload capability
- Planetary gearbox fits within the width profile of the jack's outer tube, eliminating the need for spacers



2-SPEED SQUARE JACKS - DIRECT WELD

12,000 LBS. SUPPORT CAPACITY - 10,000 LBS. LIFT CAPACITY

Part No.	Model No.	Support Capacity	Gearbox Style	Travel	Measurements		Description	Companion	Lbs.
					A Retracted	B Extended			
NON-SPRING RETURN									
183401	SWQ 183 DL-BX	12,000	Planetary	12.5"	28.5"	54.6"	2-Speed, drop leg with standard disc foot. 13.50" additional drop leg extension. Drop leg pull pin to the SIDE. Painted outer tube, inner tube, and drop leg. Crank sold separately.	182411	67.0
183416	SWQ 183 DL-BX	12,000	Planetary	12.5"	29.5"	55.6"	2-Speed, drop leg with standard disc foot. 13.50" additional drop leg extension. Drop leg pull pin to the FRONT. Painted outer tube, inner tube, and drop leg. Crank sold separately.	182415	67.0
183900	SWQ 180 DL-B	12,000	Traditional	12.5"	28.5"	54.6"	2-Speed, drop leg with standard disc foot. 13.50" additional drop leg extension. Drop leg pull pin to the SIDE. Painted outer tube, inner tube, and drop leg. Crank sold separately.	182411	77.0
183901	SWQ 180 DL-BX T	12,000	Traditional	12.5"	29.5"	55.6"	2-Speed, drop leg with standard disc foot. 13.50" additional drop leg extension. Drop leg pull pin to the FRONT. Painted outer tube, inner tube, and drop leg. Crank sold separately.	182415	77.0
SPRING RETURN									
183816	SWQ 183 DL-BX w/SR	12,000	Planetary	12.5"	29.5"	55.6"	2-Speed, drop leg with standard disc foot. 13.50" additional drop leg extension. Drop leg pull pin to the FRONT. Painted outer tube, inner tube, and drop leg. Crank sold separately.	182815	65.0
183902	SWQ 180 DL-B w/SR T	12,000	Traditional	12.5"	28.5"	54.6"	2-Speed, drop leg with standard disc foot. 13.50" additional drop leg extension. Drop leg pull pin to the SIDE. Painted outer tube, inner tube, and drop leg. Crank sold separately.	182805	77.0
183903	SWQ 180 DL-BX w/SR T	12,000	Traditional	12.5"	29.5"	55.6"	2-Speed, drop leg with standard disc foot. 13.50" additional drop leg extension. Drop leg pull pin to the FRONT. Painted outer tube, inner tube, and drop leg. Crank sold separately.	182815	77.0
REPLACEMENT PART									
500285	-	-	-	-	-	-	Replacement part, planetary two speed sun gear	-	-

NOTE: Contact Price List or Customer Service for package quantities and full part number.



POWERED DRIVE KIT

DESIGNED SPECIFICALLY FOR USE WITH BULLDOG 12,000 LB. JACKS
7500 LB. LIFT CAPACITY

LIFTS **50%** MORE THAN COMPETITION

- Lifts 3" per minute at typical working loads
- Can be manually cranked in the event of power loss
- **State of the art 12VDC electric motor**
- Quiet operation – 50% quieter than competitive units
- Efficient use of electrical power - 60% more efficient than competitive units
- Permanently lubricated to provide years of maintenance free use
- **Custom designed wiring harness & rocker switch enclosed in a weather proof box**
- Utilizes a 25 amp circuit breaker with push button reset feature
- **Can be used in both single & tandem jack applications**
- **Kit includes all necessary components for ease of installation**
- Powered drive assembly
- Torque stop tube with energy absorption device
- Replacement bevel gear & dowel pin
- Terminal box
- Wiring harness & switch box
- Hex coupling (not shown, required when using in a tandem jack application)
- Weather resistant cover (not shown)

- **COMPACT DESIGN**
- **LIGHTWEIGHT ALUMINUM GEARBOX**



- **WELD-ON TORQUE STOP TUBE**

Part Number 1824200100
 Aftermarket Single Speed Jack Applications

Part Number 1824210100
 OEM Single Speed jack Applications

Part Number 1824180100
 OEM 2 Speed Planetary Jack Applications



IDEAL FOR HORSE, LIVESTOCK, AND HEAVY DUTY TRAILERS



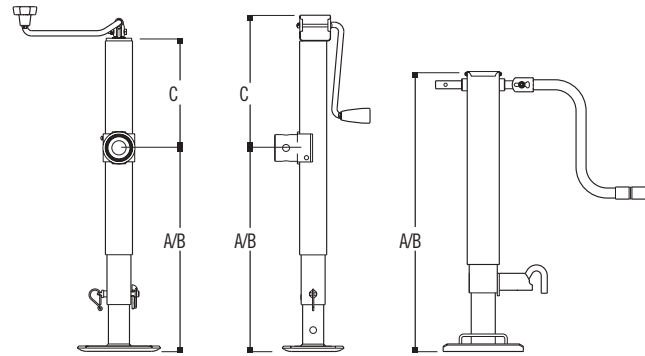
NOTE: Designed for use with BULLDOG 12,000 lb. jacks only. Not compatible with Pro Series or other jacks.



SQUARE JACKS

Square Up for Side Load Strength

- Square jack dramatically improves side load strength
- Drop leg and fixed leg models available
- Tubular swivel models include mating mount and pull pin



Travel and Clearance

A = Retracted B = Extended C = Clearance Height

Actual product may vary slightly from image shown.

SQUARE JACKS - WELD-ON - TUBULAR SWIVEL

Part No.	Support Capacity	Handle Style	Travel	Measurements			Description	Lbs.
				A Retracted	B Extended	C Clearance		
1401520383	5,000	Topwind	10"	17.20"	27.20"	5.00"	Finish is black painted outer tube, clear zinc inner tube. Fixed leg.	17.00
1401610383	5,000	Sidewind	10"	17.40"	27.40"	8.00"	Finish is black painted outer tube, clear zinc inner tube. Fixed leg.	18.00
1400830383	8,000	Topwind	10"	17.20"	27.20"	5.00"	Finish is black painted outer tube, clear zinc inner tube. Fixed leg.	17.00
1400860383	8,000	Sidewind	10"	17.10"	27.10"	7.30"	Finish is black painted outer tube, clear zinc inner tube. Fixed leg.	18.00

SQUARE JACKS - DIRECT WELD

Part No.	Support Capacity	Handle Style	Travel	Measurements			Description	Lbs.
				A Retracted	B Extended	C Clearance		
1401500383	5,000	Topwind	15"	22.60"	51.20"	n/a	Finish is black painted outer tube, clear zinc inner tube and 28" travel with drop leg.	20.00
1401600383	5,000	Sidewind	15"	25.80"	54.40"	n/a	Finish is black painted outer tube, clear zinc inner tube and 28" travel with drop leg.	21.00
1400800383	8,000	Topwind	15"	22.90"	51.50"	n/a	Finish is black painted outer tube, clear zinc inner tube and 28" travel with drop leg.	20.00
1400850383	8,000	Sidewind	15"	25.20"	53.80"	n/a	Finish is black painted outer tube, clear zinc inner tube and 28" travel with drop leg.	21.00
140094	12,000	Sidewind	12.5"	27.25"	53.25"	n/a	Spring return drop leg, 26" travel with drop leg, pin to side, crank included. Finish is gray painted outer tube, inner tube, and drop leg.	62.00
1400950376	12,000	Sidewind	12.5"	28.25"	54.25"	n/a	Spring return drop leg, 26" travel with drop leg, pin to front, crank included. Finish is gray painted outer tube, inner tube, and drop leg.	62.00
1400960376	12,000	Sidewind	12.5"	28.25"	54.25"	n/a	Spring return drop leg, 26" travel with drop leg, pin to front. Finish is gray painted outer tube, inner tube, and drop leg.	59.00
1400980376	12,000	Sidewind	12.5"	28.25"	54.25"	n/a	Non spring return drop leg, 26" travel with drop leg, pin to front, crank included. Finish is gray painted outer tube, inner tube, and drop leg.	61.00
1400990376	12,000	Sidewind	12.5"	28.25"	54.25"	n/a	Non spring return drop leg, 26" travel with drop leg, pin to front. Finish is gray painted outer tube, inner tube, and drop leg.	58.00
1401010376	12,000	Sidewind	12.5"	28.25"	54.25"	n/a	Non spring return drop leg, 26" travel with drop leg, pin to side, crank included. Finish is gray painted outer tube, inner tube, and drop leg.	61.00

Accessory Part

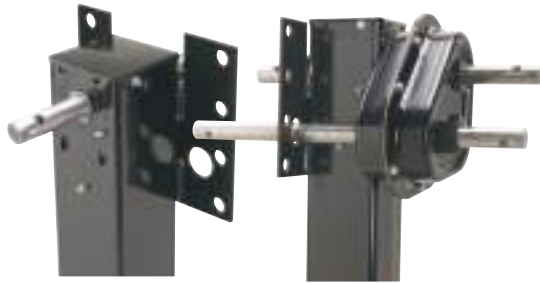
Part No.	Description	Lbs.
1400920383	12K Crank, Mounting Hardware & Clip, Black Painted Finish	3.00

HEAVY DUTY 2-SPEED TANDEM LANDING GEAR

- AAR & TTMA rated (all values per pair):
45,000 lbs. lifting capacity
(@ 100 ft. lbs. input torque)
90,000 lbs. static capacity
- Competitive Cranking ratios:
Low speed gear 27.3 turns per inch
High speed gear 4.5 turns per inch
- 17" of Travel
- High efficiency, double lead screw
- Heavy duty, self-leveling sand shoe
- Crank included – cross shaft sold separately
- Black painted finish
- Industry leading 5-year warranty



Shown with standard TTMA mount, mounted to outside of frame



Easy-access grease fittings



Ideal for horse, livestock and heavy duty trailers



Shown with standard TTMA mount, mounted to inside of frame



Heavy duty leg band for added strength. Sand shoe designed to maximize connection strength.

HEAVY DUTY 2-SPEED TANDEM LANDING GEAR

90,000 LBS. SUPPORT CAPACITY - 45,000 LBS. LIFT CAPACITY

Part No.	Support Capacity	Description	Travel	Measurements	
				A Retracted	B Extended
500153	90,000	Tandem Non Drop Leg Landing Gear - Set includes Direct Weld 2-Speed & Single Speed Jacks & Crank. Cross Shaft not included.	17"	31.7"	48.7"
500154	90,000	Tandem Non Drop Leg Landing Gear - Set includes TTMA Bolt-On Mount 2-Speed & Single Speed Jacks & Crank. Cross Shaft not included.	17"	31.7"	48.7"
1839050383		2-Speed Jack, Direct Weld. Crank sold separately.	17"	31.7"	48.7"
1839060383		2-Speed Jack, TTMA Bolt-On Mount. Crank sold separately.	17"	31.7"	48.7"
1823050383		Single Speed Jack, Direct Weld. Crank sold separately.	17"	31.7"	48.7"
1823060383		Single Speed Jack, TTMA Bolt-On Mount. Crank sold separately.	17"	31.7"	48.7"
8001090283		Crank, Mounting hardware included.			
CS730300		72.75" Cross Shaft, Slotted Ends, Hardware Included			

FIFTH WHEEL LANDING GEAR SYSTEM

- Traditional Single Drive System
- Heavy gauge 6" x 8" self-leveling footplates with drain holes to prevent corrosion
- Spring loaded drop leg pin on 8000 lb. support capacity model
- Includes secondary gearbox
- 36" total travel
- Includes adjustable cross shaft
- Includes 4 mounting brackets and 4 sets of mounting hardware
- Motor, switch and harness must be obtained separately
- Industry leading 5-year warranty



FIFTH WHEEL LANDING GEAR SYSTEM

Part No.	Support Capacity	Lift Capacity	Description	Measurements	
				Total Lift	Screw Travel
500158	6,500	4,000	RV Landing Gear Assembly (Motor, Switch and Harness Must Be Obtained Separately)	36"	18"
500162	8,000	4,000	RV Landing Gear Assembly (Motor, Switch and Harness Must Be Obtained Separately)	36"	18"

DUAL OUTPUT POWERED DRIVE FIFTH WHEEL LANDING GEAR SYSTEM

- Dual Output Powered Drives
- High speed position installation results in lifting speeds of 9"/minute
- Heavy duty integrated die-cast gearbox eliminates the need for an intermediate plastic gear box
- Spring loaded drop leg pin
- Independent leg control for leveling
- Heavy gauge 6" x 8" self-leveling footplates
- 36" total travel
- Includes motors preassembled to jacks
- Includes dual switch panel and wiring harness
- Includes 4 mounting brackets and 4 sets of mounting hardware
- Industry leading 5-year warranty



DUAL OUTPUT POWERED DRIVE FIFTH WHEEL LANDING GEAR SYSTEM

10,000 LBS. SUPPORT CAPACITY

Part No.	Support Capacity	Lift Capacity	Description	Motor & Switches	Measurements	
					Total Lift	Screw Travel
500170	10,000	7,000	RV Landing Gear Assembly	2	36"	18"
500161	10,000	10,000	RV Landing Gear Assembly	2	36"	18"

RACK / GEAR JACKS

750 lb. A-Frame & BOLT-ON

BULLDOG experience and engineering know-how have produced a line of rack and gear jacks that are tough and trusted, the most preferred jacks used by trailer manufacturers in a variety of industries.

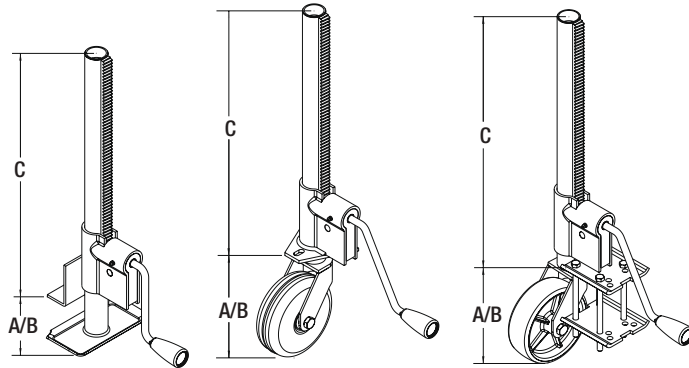
- Smooth-cranking 4 turns per inch of travel
- Strong, durable design
- All-welded steel gear box
- Proven reliability for long term use at rated loads
- Weather-resistant clear zinc-plated rack post
- Gray primer-painted steel wheel and gear box
- Custom designs available



1,200 lb. Heavy-Duty

These heavy-duty rack jacks exemplify BULLDOG's reputation for strength, providing additional lift capacity to a full 1,200 pounds. Specially designed and manufactured to BULLDOG's unparalleled standards, they are ideal for heavier trailers and greater tongue weights.

- Smooth-cranking 4 turns per inch of travel
- Powerful heavy-duty gear box
- Special steel alloy helical gear for extra lift capacity
- Extra heavy-duty gauge post for maximum side load strength
- Specially designed gusseted caster bracket for increased stability
- Superior extension capabilities (up to 26.5" on the HD165WX model, the highest in the industry and ideal for use with big 4x4 trucks)
- Weather-resistant yellow zinc-plated rack post
- Red oxide primer-painted steel wheel and gear box
- Custom designs available



Travel and Clearance Diagram
A= Retracted B= Extended C= Clearance Height

MOUNTING OPTIONS

L-BEND BRACKET WELD-ON

Welds to side and bottom of tongue



161 Series

L-BEND BRACKET BOLT-ON

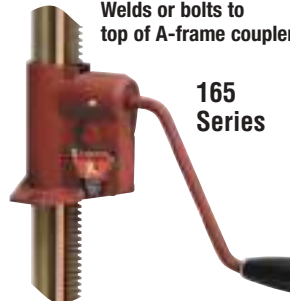
Fits up to 4" square tongue



162 Series

A-FRAME

Welds or bolts to top of A-frame coupler



165 Series

BOLT-ON

Fits up to 3" x 5" rectangular tongue



169 Series

WHEEL / FOOT OPTIONS

CASTER WHEELS

Polyolefin Wheel
750 lb. capacity



"R" Models

Steel Wheel
750 lb. capacity
1,200 lb. capacity - heavy-duty



"W" Models

DISC FOOT

Welded to Jack Post
750 lb. capacity



"D" Models



STANDARD RACK / GEAR JACKS - L-BEND WELD-ON – 161 SERIES

Part No.	Model No.	Lift Capacity	Includes		Travel	Measurements			Description	Lbs.
			*Gear Box	*Rack Post		A Retracted	B Extended	C Clearance		
161100 ♦	161 D	750	018161	018230-01	16"	2.5"	18.5"	21.2"	Weld-on L-bend bracket, with disc foot.	11.4
161300 ♦	161 W	750	018161	018006	16"	6.5"	22.5"	21.2"	Weld-on L-bend bracket, with steel wheel.	13.7

STANDARD RACK / GEAR JACKS - L-BEND BOLT-ON – 162 SERIES

Part No.	Model No.	Lift Capacity	Includes		Travel	Measurements			Description	Lbs.
			*Gear Box	*Rack Post		A Retracted	B Extended	C Clearance		
162300 ♦	162 W	750	019032	018006	16"	6.0"	22.0"	21.8"	Bolt-on L-bend bracket, with steel wheel.	16.7

STANDARD RACK / GEAR JACKS - A-FRAME – 165 SERIES

Part No.	Model No.	Lift Capacity	Includes		Travel	Measurements			Description	Lbs.
			*Gear Box	*Rack Post		A Retracted	B Extended	C Clearance		
165111 ♦	165 D	750	018155	018230-01	16"	3.5"	19.5"	20.2"	A-frame weld-on/bolt-on bracket, with disc foot.	11.1
165211	165 R	750	018155	018007	16"	7.5"	23.5"	20.3"	A-frame weld-on/bolt-on bracket, with polyolefin wheel.	12.3
165311 ♦	165 W	750	018155	018006	16"	7.5"	23.5"	20.3"	A-frame weld-on/bolt-on bracket, with steel wheel.	13.4
165411 ♦	HD 165 W	1,200	019141	019060	16"	7.5"	23.5"	20.3"	Heavy-duty A-frame weld-on/bolt-on bracket, with heavy-duty 21" long 1,200 pound rack and post, with steel wheel.	14.4
165412	HD 165 WX	1,200	019141	019080	19"	7.5"	26.5"	23.3"	Heavy-duty A-frame weld-on/bolt-on bracket, with heavy-duty 24" long 1,200 pound rack and post, with steel wheel.	15.1

STANDARD RACK / GEAR JACKS - RECTANGULAR BOLT-ON – 169 SERIES

Part No.	Model No.	Lift Capacity	Includes		Travel	Measurements			Description	Lbs.
			*Gear Box	*Rack Post		A Retracted	B Extended	C Clearance		
169201 ♦	169 RB	750	018191	018308	16"	7.5"	23.5"	20.3"	Bolt-on mount, fits up to 3" x 5" tongue, with mounting kit and polyolefin wheel, black finish.	14.9

*Gear boxes and rack post also sold separately. ♦ DENOTES MOST POPULAR

NOTE: Contact Price List or Customer Service for package quantities and full part number. Other custom-made designs are available upon request.



WHEELS



0917501S00

CE555 0101

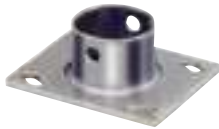


CP555 0301

500245



018507



CA5550301



0031350300

Part No.	Description	Pkg.
POLY WHEELS		
0917501S00	6" poly wheel only – 750 - 1,200 lbs. rated	Bulk
CE555 0101	6" caster with 2" inside diameter fitting for 2" jack tube – 1,200 lbs. rated	Boxed
CE555 0301	6" caster with 2" inside diameter fitting for 2" jack tube – 1,200 lbs. rated	Bulk
500245	6" caster with pin 2" inside diameter fitting for 2" jack tube - 1,200 lbs. rated	Clam
HEAVY-DUTY PHENOLIC WHEELS		
CP555 0301	6" caster with 2" inside diameter fitting for 2" jack tube – 1,500 lbs. rated	Bulk
STEEL WHEELS (REDUCES RATED CAPACITIES OF ANY JACK)		
017125	Caster assembly w/6" steel wheel, fits 2" inner tube – 750 - 1,000 lbs. rated	Bulk
018507	Caster assembly w/6" steel wheel for 155159 and 155300 – 1,000 lbs. rated	Poly Bag

CASTER ADAPTER PLATES

Part No.	Description	Pkg.
CASTER ADAPTER PLATES		
CA5550301	Caster adapter plate	Bulk

BOTTOM SUPPORT PLATES

Part No.	Description	Pkg.
BOTTOM SUPPORT PLATES		
0031350300	A-frame support plate, forged coupler.	Bulk
SPB50 0300	Bottom support plate with 2.29" diameter hole, cast and stamped couplers.	Bulk
SPBQ500300	Bottom support plate with 2.3" square hole	Bulk



FP20000201



500244

REMOVABLE FOOTPLATES

Part No.	Description	Pkg.
REMOVABLE FOOTPLATES		
0185640301	Removable footplate w/pin. 2.1" tall, fits 2" inner tube, 2,000-5,000 lbs. rated	Bulk
018098	Removable footplate w/pin. 6.2" tall, fits 2" inner tube, 2,000-5,000 lbs. rated	Bulk
FP20000201	Foot with hardware (bolt goes through 2" jack tube holes) – 2,000 lbs. rated	Poly Bag
500244	Removable footplate with pin. Fits Jacks with 2" inner tube. (2.1" tall)	Clam



DF35000324



500190

DROP LEGS

Part No.	Description	Pkg.
DROP LEGS		
DF35000324	For square jack, 1.71" square tube, pin included – 3,000 - 5,000 lbs. rated	Bulk
500270	For square jack, 2.0" square tube, pin included – 8,000 lb. rated	Bulk
701292-01	For square jack, 2.25" square tube, pin not included - 10,000 lb. rated	Bulk
500190	For round jacks with 2.0" inner tubes, pin included - 5,000 lbs. rated	Ind. Box



500103



500177

PINS

Part No.	Description	Pkg.
PINS		
500103	3/8" plunger pin assembly. (Bulldog only)	Poly Bag
700377	3/4" pull pin (4.75" long) with chain without drive screw – 7,000 lbs.	Bulk
701029	7/8" pull pin (5.12" long) with chain without drive screw – 12,000 lbs.	Bulk



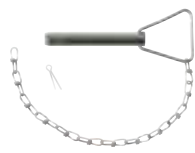
500178



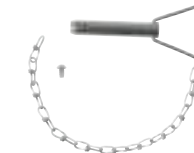
500243

PIN KITS

500178	1/2" plunger pin assembly kit. SERIES: 150, 160, 170	Clam
500243	9/16" pull pin 3.5" long with chain and drive screw. (5,000 lbs. - Topwind only) SERIES: 150, Topwind-170	Clam
500231	5/8" pull pin 3.5" long, with chain, and drive screw. (5,000 lbs. - Sidewind only) SERIES: Sidewind-170, Crown® 2,000/3,000/5,000 lbs.	Clam
500232	5/8" pull pin, 4.25" long, with chain, and cotter pin. SERIES: 190, Crown® 7,000 lbs.	Clam
500177	3/4" drop-leg plunger pin kit SERIES: 180	



500232



500231

DROP LEG PINS

701472	9/16" drop leg pin, with chain and lynch pin for 190 series square jacks	Bulk
701471	3/4" drop leg pin, with chain and lynch pin for 180 series square jacks	Bulk

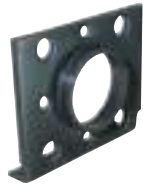


500239



500238

500240



500242



500148



800075



500180



500256



500105

500171



701466

MOUNTS

Part No.	Description	Pkg.
MOUNTS		
500239	Trailer mount, male, weld-on, for 9/16" pin. (5,000 lbs. - Topwind only) SERIES: 150, Topwind-170	Clam
500238	Trailer mount, female, weld-on, for 5/8" pin, 3" O.D.	Clam
500240	Trailer mount, male, weld-on, for 5/8" pin, 2" O.D.	Clam
RETAINING RING MOUNTING BRACKETS		
P20520-00	Weld-on flat, retaining ring swivel plate for 3/8" diameter plunger pin.	Bulk
P9222-00	Weld-on, swivel bracket, 1/2" pin - 2,000 - 5,000 lbs. rated	Bulk
500242	Weld-on, swivel bracket, 1/2" pin - 2,000 - 5,000 lbs. rated	Clam

TOPWIND CRANKS

Part No.	Description	Pkg.
TOPWIND CRANKS		
500180	Topwind crank (6.75" radius) assembly with red knob. SERIES: Topwind-150, 160, 170. 2,000 - 5,000 lbs.	Clam
500148	Topwind crank (9.00" radius) assembly with black knob. SERIES: Topwind-190 7,000 lbs. 7,000 / 8,000 lbs.	Clam
800075	Topwind crank 1" tubing (15.50" radius) - 12,000 lb. square	Bulk

SIDEWIND CRANKS

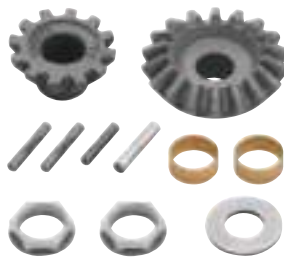
Part No.	Description	Pkg.
SIDEWIND CRANKS		
500256	Sidewind crank (5.80" radius) assembly and gear kit. SERIES: 150 with plastic cap. 2000 lbs.	Clam
500105	Sidewind crank (6.50" radius) assembly with black knob. SERIES: 139, 159, 170, Crown® 2,000/3,000/5,000 lbs.	Clam
500171	Sidewind crank (8.50" radius) assembly with black knob. SERIES: 190 square jacks, Crown® 7,000 lbs. 7,000 / 8,000 lbs.	Clam
015181	Sidewind crank, vertical clevis (13.50" radius), black primed finish, hardware included	Bulk
800102	Sidewind crank assembly with 13.50" radius. Mounting hardware not included. Extends 17.50" from the jack. Black primed finish. Horizontal clevis, Sidewind handle.	Bulk
701466	Removable sidewind crank with 13.5" offset radius. All zinc-plated crank. Dual handle grips for cranking and shifting. For use with OEM supplied outboard bushing or may be attached directly on jack gearbox.	Bulk
800090	Sidewind crank, horizontal clevis (13.50" radius), black primed finish, hardware included	Bulk
8001090283	Sidewind crank assembly with 13.50" radius, mounting hardware not included, extends 20" from the jack, black prime finish, vertical clevis	Bulk



500106



500156



500212



500251



500248



500246

ASSEMBLY KITS

Part No.	Description	Pkg.
BEARING KITS		
500251	Bearing kit. For 2,000 lb. capacity models. SERIES: 150	Clam
500223	Thrust bearing. For 5,000 lb. capacity models. SERIES: 170, Crown® 5,000 lbs.	Clam
500224	Thrust bearing. For 8,000 lb. capacity models. SERIES: 190, Crown® 7,000 lbs.	Clam
GEAR KITS		
500106	Sidewind gear kit. For up to and including 5,000 lb. capacity models. SERIES: 139, 159, 170 Crown® 2,000/3,000/5,000 lbs.	Clam
500156	Sidewind gear kit. For 8,000 lb. capacity models. SERIES: 190, Crown® 7,000 lbs. with 1/2" inside bottom gear	Clam
5002581360	Sidewind gear kit. SERIES: 190 Crown® 7,000 lbs. with 5/8" I.D. bottom gear	Poly Bag
800144	Service kit containing the sidewind crank (10.50"), bearing, gears, pins and bushings for 10,000 lbs. capacity 180 SERIES sidewind jacks	Poly Bag
500285	Sun gear and stub shaft assembly and bushings for 12,000 lb. capacity two speed planetary gear box	Poly Bag
500212	Gear kit including, pins and bushing – 12,000 lbs.	Poly Bag
RETAINING RING KITS		
500241	Swivel retaining ring. Fits most jack capacities. SERIES: 150, 160, 170	Clam
P9086-00	Swivel retaining ring. Fits most jack capacities. SERIES: 150, 160, 170	Bulk
ASSEMBLY KIT		
500217	Screw and nut assembly, bearing, support washer and retaining pins for 12,000 lb. capacity BULLDOG® sidewind jacks	Poly Bag
500250	Screw and nut assembly, bearing, support washer and retaining pins for 12,000 lb. capacity BULLDOG® topwind jacks	Poly Bag
GEAR BOX COVER		
500205	Gear box cover for 3,000 - 8,000 lb. capacity sidewind jacks, includes hardware	Poly Bag



500223



500224



500241

KNOBS

Part No.	Description	Pkg.
KNOBS		
500248	Black knob, teardrop. SERIES: 139, 159, Sidewind-170, 90, Crown®. 2,000 - 5,000 lbs.	Clam
500246	Red knob, BULLDOG. SERIES: 150, 160, Topwind-170. 2,000 - 5,000 lbs.	Clam



F2® MARINE AND RECREATIONAL JACKS **FULTON**

Fulton, the industry leader for high performance marine jacks, is proud to introduce a revolution in trailer jack engineering. The F2®, designed for use with marine, recreational and utility trailers, continues the Fulton heritage of innovation rethinking every feature and challenging industry conventions. The result is a reengineered high quality product that will transform the industry. It's so strong and reliable that Fulton is backing it with an unprecedented LIMITED LIFETIME WARRANTY.

- Maintenance free - designed to eliminate the need for lubrication and maintenance
- Corrosion resistant coatings cover internal and external components - will hold up in harsh environments
- Ergonomic design - crank, release pin and integrated wheel wedge are made of strong, engineered plastic for a comfortable touch
- Stylish design - compliment your boat and customize your trailer's styling
- Sealed and lubricated one-piece gearbox
- Twin track and wide track versions available
- Available in bolt-on and weld-on versions for up to 5" tongues
- Handle Hold-Up secures handle to jack tube when in stowed position
- Limited Lifetime Warranty

F2® MARINE AND RECREATIONAL JACKS - TWIN TRACK MODELS

Part No.	Lift Cap. (lbs.)	Handle Style	Screw Travel	Mount Travel	Pull Pin Diameter	Description	Packaging
1413020134	1,600	Sidewind	10"	8"	9/16"	Individually Boxed. Includes Handle Hold-Up & Wheel Wedge Features, & Bolt-On Mounting Hardware for 3"x3" & 3"x4" Frames.	Ind. Box
1413060334	1,600	Sidewind	10"	8"	9/16"	3"x4" Pivot Housing. Includes Handle Hold-Up Feature & Weld-On Mounting Bracket & Hardware.	Bulk
1413080334	1,600	Sidewind	10"	8"	9/16"	Includes Handle Hold-Up Feature & Bolt-On Mounting Hardware for 3"x4" Frame.	Bulk
1413120334	1,600	Sidewind	10"	8"	9/16"	4"x5" Pivot Housing. Includes Handle Hold-Up Feature & Weld-On Mounting Bracket & Hardware.	Bulk
1413130334	1,600	Sidewind	10"	8"	9/16"	4"x5" Pivot Housing. Includes Handle Hold-Up Feature & Bolt-On Mounting Hardware for 3"x5" Frame.	Bulk

F2® MARINE AND RECREATIONAL JACKS - WIDE TRACK MODELS

Part No.	Lift Cap. (lbs.)	Handle Style	Screw Travel	Mount Travel	Pull Pin Diameter	Description	Packaging
1413040134	1,600	Sidewind	10"	8"	9/16"	Individually Boxed. Includes Handle Hold-Up & Wheel Wedge Features, & Bolt-On Mounting Hardware for 3"x3" & 3"x4" Frames.	Ind. Box
1413050334	1,600	Sidewind	10"	8"	9/16"	3"x4" Pivot Housing. Includes Handle Hold-Up Feature & Weld-On Mounting Bracket & Hardware.	Bulk
1413110334	1,600	Sidewind	10"	8"	9/16"	4"x5" Pivot Housing. Includes Handle Hold-Up Feature & Weld-On Mounting Bracket & Hardware.	Bulk
1413140334	1,600	Sidewind	10"	8"	9/16"	4"x5" Pivot Housing. Includes Handle Hold-Up Feature & Bolt-On Mounting Hardware for 3"x5" Frame.	Bulk

Accessories / Replacement Parts

Part No.	Description	Packaging
500130	TWIN TRACK WHEEL REPLACEMENT KIT. Includes (2) wheels & all necessary mounting hardware to mount (2) wheels.	Bagged
500131	WIDE TRACK WHEEL REPLACEMENT KIT. Includes (1) wheel & all necessary mounting hardware to mount (1) wheel.	Bagged
500132	TWIN TRACK WHEEL WEDGE KIT. Includes mounting hardware.	Bagged
500133	WIDE TRACK WHEEL WEDGE KIT. Includes mounting hardware.	Bagged
500134	F2® HANDLE/CRANK KIT. Includes handle grip, groove pin & all necessary mounting hardware.	Bagged
500135	GEARBOX COVER REPLACEMENT KIT. Includes (4) mounting screws.	Bagged
500136	PULL PIN REPLACEMENT KIT. Includes spring & retaining ring.	Bagged
500137	BEARING REPLACEMENT KIT. Includes (2) washers.	Bagged
500138	(1) TWIN TRACK WHEEL ONLY	Bagged
500277	Weld-On Mounting Bracket & Hardware for 3"x4" Pivot Housing.	Bagged

NOTE: Contact Cequent Customer Service for package quantities.
Twin Wheel US Patent D568,575 and Wide Wheel US Patent D570,072 and Handle US Patent D577,175



5" Frame Model

1413230134

F2® MARINE AND RECREATIONAL JACKS

Fulton, the industry leader for high performance jacks, is proud to introduce another addition to the F2® family of trailer jacks. Our 2,000 lb. lift capacity adjustable swivel with footplate jacks pack all of the features of the award winning Twin Track & Wide Track models, along with the unprecedented LIMITED LIFETIME WARRANTY. The 2,000 lb. capacity jacks possess the following unique features.

- Heavy duty articulating footplate - 7" diameter cast footplate provides superior stability. Unique ball and socket connection between jack and footplate allows for whatever articulation is required to accommodate uneven surfaces
- 13" of swivel mount height adjustment
- Available in bolt-on versions for 4" and 5" frames and weld-on versions for up to 5" frames
- Handle Hold-Up secures handle to jack tube when in stowed position
- Limited Lifetime Warranty

F2® MARINE AND RECREATIONAL JACKS - ADJUSTABLE SWIVEL WITH FOOTPLATE

Part No.	Lift Cap. (lbs.)	Handle Style	Screw Travel	Mount Travel	Pull Pin Diameter	Description	Packaging
1413200334	2,000	Sidewind	10"	13"	9/16"	Includes Handle Hold-Up Feature & Weld-On Mounting Bracket & Hardware for up to 5" Frames.	Bulk
1413210334	2,000	Sidewind	10"	13"	9/16"	Includes Handle Hold-Up Feature & Bolt-On Mounting Hardware for 3"x4" Frame.	Bulk
1413220334	2,000	Sidewind	10"	13"	9/16"	Includes Handle Hold-Up Feature & Bolt-On Mounting Hardware for 3"x5" Frame.	Bulk
1413230134	2,000	Sidewind	10"	13"	9/16"	Includes Handle Hold-Up Feature & Bolt-On Mounting Hardware for 3"x4" and 3"x5" Frames.	Ind. Box

Accessories / Replacement Parts

Part No.	Description	Packaging
500134	F2® HANDLE/CRANK KIT. Includes handle grip, groove pin & all necessary mounting hardware.	Bagged
500135	GEARBOX COVER REPLACEMENT KIT. Includes (4) mounting screws.	Bagged
500136	PULL PIN REPLACEMENT KIT. Includes spring & retaining ring.	Bagged
500137	BEARING REPLACEMENT KIT. Includes (2) washers.	Bagged



F2® A-FRAME JACK AND COUPLER COMBINATION

Fulton expands the F2® family of trailer jacks with the adjustable height A-Frame jack and coupler combination. In addition to all the features of the award winning F2® jacks these models include the following unique features.

- F2® Coupler, Class 4, with special cutout mounting area to accept jack
- Versatile handle orientation mounting options: front, driver side or passenger side facing
- 2,000 lb. lift capacity
- Removable foot/wheel options (purchase separately):
 7" round articulating footplate (2,000 lb. lift capacity)
 7" diameter twin track wheel (1,600 lb. lift capacity)
 8" diameter wide track wheel (1,600 lb. lift capacity)
- Limited Lifetime Warranty



1413250334



44305F0317

F2® A-FRAME JACK AND COUPLER COMBINATION

Part No.	Lift Cap. (lbs.)	Handle Style	Screw Travel	Description	Packaging
1413250334	2,000	Sidewind	9"	Adjustable Height A-Frame Jack. NOTE: Requires F2 Coupler	Bulk
44305F0317	—	—	—	Coupler, Class 4, 2-5/16" Ball, 10,000 lb. Capacity Coupler	Bulk

F2® A-FRAME JACK AND COUPLER COMBINATION - REMOVABLE FOOT/WHEEL OPTIONS

Part No.	Lift Cap. (lbs.)	Description	Packaging
500265	1,600	7" Twin Track Wheels, Includes Pull Pin Assembly	Bulk
500266	1,600	8" Wide Track Wheel, Includes Pull Pin Assembly	Bulk
500267	2,000	7" Round Articulating Footplate, Includes Pull Pin Assembly	Bulk

Twin Wheel US Patent D568,575 and Wide Wheel US Patent D570,072 and Handle US Patent D577,175



500265



500266



500267

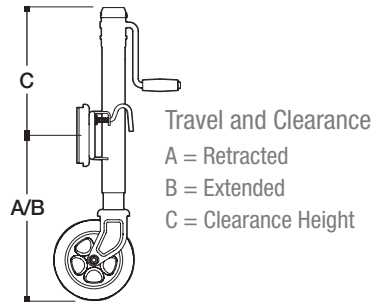


MARINE AND RECREATIONAL JACKS

- Designed for use with marine and utility trailers
- Includes all necessary mounting hardware



EJ1000



MARINE AND RECREATIONAL JACKS - RETAINING RING SWIVEL

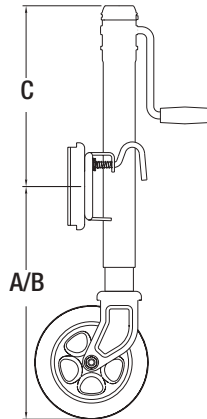
Part No.	Lift Capacity (lbs.)	Handle Style	Travel	Measurements			Description	Lbs.	Pkg.
				A Retracted	B Extended	C Clearance			
EJ10000101	1,000	Sidewind	10"	13.0"	23.0"	11.0"	6" Wheel, Clear Zinc Finish, Bolt-on, Fits up to 3"x5" Trailer Frame	15.0	Ind. Box
EJ10000301	1,000	Sidewind	10"	13.0"	23.0"	11.0"	6" Wheel, Clear Zinc Finish, Bolt-on, Fits up to 3"x5" Trailer Frame	15.0	Bulk



MARINE AND RECREATIONAL JACKS

Designed for use with marine and utility trailers, Fulton brand tongue jacks are time- tested and application-proven. Our bolt-on versions include all necessary mounting hardware. For weld-on applications, we offer two styles of mounts for both 1/2" and 3/8" pull pin models. The Fulton brand bolt-thru swivel mounts (U.S. PAT. 6,302,381) use 3-D formed heavy-gauge steel stampings and a proprietary bushing material for a mount with minimal deflection and maximum support. All mounts fit up to a 3" x 5" trailer frame.

- Extensive choice of popular models, Sidewind Crank with Round or Square Tubes
- Strong proprietary bushing materials
- Stable formed heavy-gauge steel construction
- Dependable design
- Lift capacity from 400 lbs. to 5,000 lbs.



- 600 hour salt spray rating per ASTM B117

Travel and Clearance Diagram

- A= Retracted
- B= Extended
- C= Clearance Height





MARINE AND RECREATIONAL JACKS - PATENTED BOLT-THRU SWIVEL

Part No.	Lift Capacity (lbs.)	Handle Style	Travel	Measurements			Description	Finish	Pull Pin Dia.	Pkg.
				A Retracted	B Extended	C Clearance				
XP10 0101	1,200	Sidewind	10"	12.5"	22.5"	10.5"	6" Diameter Wheel, Bolt-On , Mounting Hardware for up to 5" Frame Included, Handle & Wheel Unassembled	Z-Max 600 Clear Zinc	1/2"	Ind. Box
XP10 0301	1,200	Sidewind	10"	12.5"	22.5"	10.5"	6" Diameter Wheel, Bolt-On , Mounting Hardware for up to 5" Frame Included	Z-Max 600 Clear Zinc	1/2"	Bulk
XP10W 0301	1,200	Sidewind	10"	12.5"	22.5"	10.5"	6" Diameter Wheel, Weld-On, P9012-00 Weld-On Mount & Hardware SOLD SEPARATELY	Z-Max 600 Clear Zinc	1/2"	Bulk
XP100W0301	1,200	Sidewind	10"	14.8"	24.8"	10.5"	8" Diameter Spoked Wheel, Weld-On, P9012-00 Weld-On Mount & Hardware SOLD SEPARATELY	Z-Max 600 Clear Zinc	1/2"	Bulk
XP10WC0301	1,200	Sidewind	10"	12.9"	22.9"	10.5"	Improved Castering Performance - Yoke/Wheel Swivel Independent of Inner Tube, 6" Diameter Wheel, Weld-On, P9012-00 Weld-On Mount & Hardware SOLD SEPARATELY	Z-Max 600 Clear Zinc	1/2"	Bulk
XP15 0101	1,500	Sidewind	10"	13.0"	23.0"	12.4"	8" Diameter Spoked Wheel, Bolt-On , Mounting Hardware for up to 5" Frame Included, Handle & Wheel Unassembled	Z-Max 600 Clear Zinc	1/2"	Ind. Box
XP15 0301	1,500	Sidewind	10"	13.0"	23.0"	12.4"	8" Diameter Spoked Wheel, Bolt-On , Mounting Hardware for up to 5" Frame Included	Z-Max 600 Clear Zinc	1/2"	Bulk
XP15W 0301	1,500	Sidewind	10"	13.0"	23.0"	12.4"	8" Diameter Spoked Wheel, Weld-On, P9012-00 Weld-On Mount & Hardware SOLD SEPARATELY	Z-Max 600 Clear Zinc	1/2"	Bulk
XP15WC0301	1,500	Sidewind	10"	13.6"	23.6"	12.4"	Improved Castering Performance - Yoke/Wheel Swivel Independent of Inner Tube, 8" Diameter Spoked Wheel, Weld-On, P9012-00 Weld-On Mount & Hardware SOLD SEPARATELY	Z-Max 600 Clear Zinc	1/2"	Bulk
1411300301	1,500	Sidewind	10"	15.6"	25.6"	10.4"	Ideal for Torsion Axle Trailers - Mount 2" Higher, Improved Castering Performance - Yoke/Wheel Swivel Independent of Inner Tube, 8" Diameter Spoked Wheel, Weld-On, P9012-00 Weld-On Mount & Hardware SOLD SEPARATELY	Z-Max 600 Clear Zinc	1/2"	Bulk
XP15L 0101	1,500	Sidewind	12"	13.0"	25.0"	14.4"	Additional 2" of Travel, 8" Diameter Spoked Wheel, Bolt-On , Mounting Hardware for up to 5" Frame Included, Handle & Wheel Unassembled	Z-Max 600 Clear Zinc	1/2"	Ind. Box
XP15L 0301	1,500	Sidewind	12"	13.0"	25.0"	14.4"	Additional 2" of Travel, 8" Diameter Spoked Wheel, Bolt-On , Mounting Hardware for up to 5" Frame Included	Z-Max 600 Clear Zinc	1/2"	Bulk
XPD15L0101	1,500	Sidewind	12"	13.1"	25.1"	12.4"	Dual Wheel , Additional 2" of Travel, 6" Diameter Wheels, Bolt-On , Mounting Hardware for up to 5" Frame Included, Handle & Wheel Unassembled	Z-Max 600 Clear Zinc	1/2"	Ind. Box
XPD15L0301	1,500	Sidewind	12"	13.1"	25.1"	12.4"	Dual Wheel , Additional 2" of Travel, 6" Diameter Wheels, Bolt-On , Mounting Hardware for up to 5" Frame Included	Z-Max 600 Clear Zinc	1/2"	Bulk

MARINE AND RECREATIONAL JACKS - RETAINING RING SWIVEL

Part No.	Lift Capacity (lbs.)	Handle Style	Travel	Measurements			Description	Finish	Pull Pin Dia.	Pkg.
				A Retracted	B Extended	C Clearance				
1410050149	400	N/A	N/A	14.5"	N/A	4.5"	Swiveling Trailer Stand, 6" Diameter Wheel, Bolt-On , Mounting Hardware for up to 5" Frame Included, Wheel Unassembled	Silver Powder Coat	3/8"	Ind. Box
TJ12000101	1,200	Sidewind	10"	12.7"	22.7"	11.4"	6" Diameter Wheel, Bolt-On , Mounting Hardware for up to 5" Frame Included, Handle & Wheel Unassembled	Z-Max 600 Clear Zinc	3/8"	Ind. Box
TJ12000301	1,200	Sidewind	10"	12.7"	22.7"	11.4"	6" Diameter Wheel, Bolt-On , Mounting Hardware for up to 5" Frame Included	Z-Max 600 Clear Zinc	3/8"	Bulk
TJ120W0301	1,200	Sidewind	10"	12.7"	22.7"	11.4"	6" Diameter Wheel, Weld-On , Mount & Retaining Ring Included, Both Shipped Loose/Unassembled	Z-Max 600 Clear Zinc	3/8"	Bulk



MARINE AND RECREATIONAL JACKS - FIXED MOUNT

Part No.	Lift Capacity (lbs.)	Handle Style	Travel	Measurements			Description	Finish	Pkg.
				A Retracted	B Extended	C Clearance			
TJ12220301	1,200	Sidewind	15"	9.3"	24.3"	19.5"	6" Diameter Wheel, Bolt-On , Mounting Hardware for up to 5" Frame Included	Z-Max 600 Clear Zinc	Bulk
HD25000101	2,500	Sidewind	28"	7.00"	35.5"	19.25"	Heavy Duty Square, Drop Leg Jack , 3.8" x 7.5" Footplate, Bolt-On , Mounting Hardware for up to 5" Frame Included, Handle Unassembled, Travel Includes Drop Leg	Z-Max 600 Clear Zinc	Ind. Box
35SM28FZ	2,500	Sidewind	28"	7.00"	35.5"	19.25"	Heavy Duty Square, Drop Leg Jack , 3.8" x 7.5" Footplate, Bolt-On , Mounting Hardware for up to 5" Frame Included, Travel Includes Drop Leg	Z-Max 600 Clear Zinc	Bulk
HD50000101	5,000	Sidewind	28"	6.5"	35.0"	18.5"	Heavy Duty Square, Drop Leg Jack , 6.0" x 8.0" Footplate, Bolt-On , Mounting Hardware for 4", 5", & 6" High Frames Included, Travel Includes Drop Leg	Z-Max 600 Clear Zinc	Ind. Box
HD50000301	5,000	Sidewind	28"	6.5"	35.0"	18.5"	Heavy Duty Square, Drop Leg Jack , 6.0" x 8.0" Footplate, Bolt-On , Mounting Hardware for 5" High Frame Included, Travel Includes Drop Leg	Z-Max 600 Clear Zinc	Bulk

ACCESSORIES - MARINE AND RECREATIONAL JACKS

MOUNTING KIT

Part No.	Description
P9012-00	Weld-On Mounting Kit, for XP Series Jacks
500286	Bolt-On Mounting Hardware Kit
0933325S00	Mounting Hardware & Bushing for XP Bolt-Thru Swivel Mount

PARTS - MARINE AND RECREATIONAL JACKS

HANDLE KIT

Part No.	Description / Application
0933301S00	Includes (1) Handle Assembly with Plastic Handle Roller, (1) Groove Pin, & (1) Flanged Bushing TJ503/C, TJU503, PMJ53, TJ507/C, PMJ75, CS750, GR700/TJ712, XP10/L/W/WC, XP100
0933305S00	Includes (1) Handle Assembly with Plastic Handle Roller, (1) Groove Pin, & (1) Flanged Bushing TJ1055, TJ1057, TJ1222, TJ255, TJD125, TJ122F, XP15/L/W/WC, XP15L, HD2500

BEVEL GEAR KIT

Part No.	Description / Application
0933302S00	Includes (2) Gears, (1) Groove Pin, (1) Pin, (1) Washer, & (1) Flanged Bushing TJ503, XP10 (all 1,200 lbs. capacity)
0933306S00	Includes (2) Gears, (1) Groove Pin, (1) Pin, (1) Washer, (1) Spacer, & (2) Flanged Bushings TJ1055, TJ1057, TJ1222, TJ1255, TJD125, TJ122F, XP15/L/W/WC, XPF15L, HD2500

PLUNGER PIN KIT

Part No.	Description / Application
0933307S00	Includes (1) ½" Plunger Pin, (1) Plunger Pin Cap, (1) Washer, (1) Cotter Pin, & (1) Spring TJ1055, TJ1057, TJ1255, TJD125, TJ122F, XP15/L/W/WC, XPF15L XP10 (all 1,200 lb. capacity)

WHEEL REPAIR KIT

Part No.	Application
6811S00	All 6" models including TJ600T (excluding TJD125, TJD103)

SNAP RING

Part No.	Application
P9086-00	All models

CAP

Part No.	Application
0917540-00	Cap, Dome - 2" Jack Tube w/1 Tab, 1 Zerk
0917514-00	Cap, Dome - 2-1/4" Jack Tube w/1 Screw, 1 Zerk

NOTE: RED part numbers indicate discontinued items.

MULTI-JACK

A versatile tool for lifting, pulling, clamping, and spreading, the BULLDOG 48" Multi-Jack is always handy to have along on 4x4s and other off-road vehicles. You'll really appreciate its power when it makes backbreaking jobs like tearing out stumps and pulling up posts a breeze.

- ALL-STEEL CONSTRUCTION - Provides reliable strength
- RUGGED RATCHET DESIGN - Holds up to time and heavy use
- 36" STEEL HANDLE - Multiplies effort while keeping the operator clear
- LARGE 10" X 10" BASE - Increases ground contact surface area
- 35" OF TRAVEL - Lets you lift loads from 5" to 40" with ease
- SIMPLE DESIGN - Packs power into 30 lbs. of multipurpose equipment

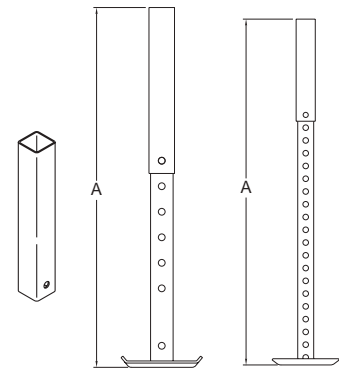
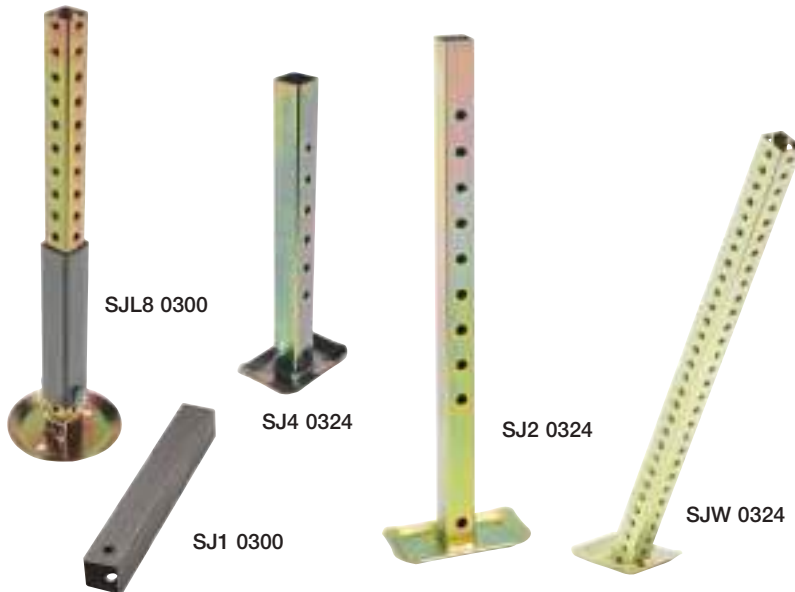


MULTI-JACK

Part No.	Capacity	Travel	Extended	Description	Pkg.	Unit Wt. Lbs.
148700	Tested to 7,000 lbs. (4,660 lbs. maximum rated load at 48")	35"	48"	Multipurpose Jack	Ind. Pack	30.0

STABILIZERS

Square tube stabilizers are fabricated from high strength, structural steel tubing, and are yellow zinc-plated for excellent corrosion-resistance. Common applications include cargo trailers, industrial implements, and equipment outriggers.



Travel and Clearance Diagram
A= Range

STABILIZERS

Part No.	Static Capacity (lbs.)	Adjustment Range (A)	Overall Length Dimension	Description	Pkg.
STABILIZER - KIT					
SJL8 0300	2,000	8" - 27"	20" drop leg, 8" outer	Assembly drop leg and 1-1/2" outer tube (includes pin)	Bulk
STABILIZER - TUBE AND DROP LEGS					
SJ1 0300	3,000	N/A	13"	2" square outer tube, oil finish (pin not included)	Bulk
SJ2 0324	3,000	25" - 37"	28.75"	Square drop leg with adjustment holes (pin not included)	Bulk
SJ4 0324	3,000	18" - 28"	20"	Square drop leg with adjustment holes (pin not included)	Bulk
STABILIZER - DROP LEG					
SJW 0324	3,000	Up to 24"	30.5"	Square drop leg with adjustment holes, foot at 30 degree angle to tube. NOTE: Will not work with SJ1 0300 tube.	Bulk



028499



HEAVY DUTY COUPLERS

Designed for utility, horse/livestock, cargo, and construction trailer applications, BULLDOG Collar-Lok™ are the strongest in the industry. The BULLDOG design features the only automatic and continuously tight ball fit in the industry. A variety of coupler styles, tongue mounts, and latches allow configurations to match virtually any trailer. Adjustable couplers assure level operation for trailers when pulled by a variety of different vehicles.

- Easiest to use.
- Strong in both static and dynamic loading conditions.
- Hinged ball socket for easy hook up.
- Clear, visual indication of proper closure.

028655



028630






COLLAR-LOK™ COUPLERS - TONGUE MOUNTS

	No. 2 Tongue Mount 2-1/4" outside diameter x 1-3/4" inside diameter steel tubing.
	No. 4 Tongue Mount High-strength steel for 3" square or rectangular trailer tongue (bolt holes optional).
	No. 5 Tongue Mount High-strength steel for 3-1/2" OD round trailer tongue.
	No. 6 Channel Mount Fits inside 2-7/8" wide channel.
	No. 8 Tongue Mount High-strength steel for 50-degree trailer tongue (tapped mounting holes optional for A-frame style jacks).

COLLAR-LOK™ COUPLERS - "B" STYLE COUPLERS

	2B Style 5,000 lbs. gross trailer weight for 2" ball.
	3B Style 7,000 lbs. gross trailer weight for 2" ball.
	4B Style 12,500 lbs. gross trailer weight for 2-5/16" ball.
	5B Style 15,000 lbs. gross trailer weight for 2-5/16" ball.

COLLAR-LOK™ COUPLERS - LATCHES

	L - Low Profile (No. 8 Tongue Mount only)
	H - High Profile
	M - Pin Only



HEAVY DUTY COUPLERS - COLLAR-LOK™ COUPLERS

Part No.	Model No.	Gross Trailer Weight	Overall Length	Latches	Ball Size	SAE Class	Coupler Style	Description	Unit Weight Lbs.
NO. 2 ROUND TUBULAR TONGUE MOUNT									
028381	2B2H	5,000	10-3/4"	High Profile	2"	III	2B Style	2-1/4" OD x 1-3/4" ID, steel tubing	8.0
028242	2B2M	5,000	10-3/4"	Pin Style	2"	III	2B Style	2-1/4" OD x 1-3/4" ID, steel tubing	8.0
028461	4B2H	12,500	12-3/4"	High Profile	2-5/16"	N/A	4B Style	2-1/4" OD x 1-3/4" ID, steel tubing	8.0
028442	4B2M	12,500	12-3/4"	Pin Style	2-5/16"	N/A	4B Style	2-1/4" OD x 1-3/4" ID, steel tubing	8.0
NO. 4 3" SQUARE/RECTANGULAR TONGUE MOUNT									
028382 ♦	2B4H	5,000	16-1/4"	High Profile	2"	III	2B Style	High-strength steel for 3" square or rectangular trailer tongue	10.5
028244	2B4M	5,000	16-1/4"	Pin Style	2"	III	2B Style	High-strength steel for 3" square or rectangular trailer tongue	10.5
028387 ♦	3B4H	7,000	16-1/4"	High Profile	2"	IV	3B Style	High-strength steel for 3" square or rectangular trailer tongue	11.5
028243	3B4M	7,000	16-1/4"	Pin Style	2"	IV	3B Style	High-strength steel for 3" square or rectangular trailer tongue	11.5
028462 ♦	4B4H	12,500	16-1/2"	High Profile	2-5/16"	N/A	4B Style	High-strength steel for 3" square or rectangular trailer tongue	12.0
028444	4B4M	12,500	16-1/2"	Pin Style	2-5/16"	N/A	4B Style	High-strength steel for 3" square or rectangular trailer tongue	12.0
NO. 5 3" ROUND STRAIGHT TONGUE MOUNT									
028383	2B5H	5,000	16-1/4"	High Profile	2"	III	2B Style	High-strength steel for 3-1/2" OD round trailer tongue	10.5
NO. 6 ADJUSTABLE CHANNEL MOUNT									
028390 ♦	3B6M	7,000	9.5"	Pin Style	2"	IV	3B Style	Fits inside 3" wide channel	10.0
028630 ♦	4B6M	12,500	10"	Pin Style	2-5/16"	N/A	4B Style	Fits inside 3" wide channel	9.0
NO. 8 A-FRAME TONGUE MOUNT									
028384	2B8H	5,000	16"	High Profile	2"	III	2B Style	High-strength steel for 50° trailer tongue	12.0
028288 ♦	2B8L	5,000	16"	Low Profile	2"	III	2B Style	High-strength steel for 50° trailer tongue	12.0
028386	3B8H	7,000	16"	High Profile	2"	IV	3B Style	High-strength steel for 50° trailer tongue	13.0
028287 ♦	3B8L	7,000	16"	Low Profile	2"	IV	3B Style	High-strength steel for 50° trailer tongue	13.0
028463	4B8H	12,500	16-1/2"	High Profile	2-5/16"	N/A	4B Style	High-strength steel for 50° trailer tongue	14.0
028499 ♦	4B8L	12,500	16-1/2"	Low Profile	2-5/16"	N/A	4B Style	High-strength steel for 50° trailer tongue	14.0
028656	5B8H	15,000	16-1/2"	High Profile	2-5/16"	N/A	5B Style	Black primed finish	16.0
028655	5B8L	15,000	16-1/2"	Low Profile	2-5/16"	N/A	5B Style	Black primed finish	16.0
REPLACEMENT PART - COLLAR-LOK™ COUPLER KIT									
024200	N/A	N/A	N/A	High Profile	N/A	N/A	N/A	Kit includes high profile latch handle, latch wire, latch pin, push nut, and cotter pin.	N/A

NOTE: Other custom-made designs are available upon request. ♦ DENOTES MOST POPULAR

⚠ WARNING

Failure to close coupler securely before towing or failure to use with specified ball size may result in serious injury or death.



44150W

CAST COUPLERS

Designed for utility, horse/livestock, cargo, and construction trailer applications, BULLDOG Couplers are the strongest in the industry. The patented cast head "Wedge-Latch" coupler design is offered in heavy-duty, A-frame, and convenient adjustable height models. Adjustable couplers assure level operation for trailers when pulled by a variety of different vehicles. The replaceable latching hardware allows for longer service life.

- Quick and easy to engage
- Strong and secure on the road
- Patented Wedge-Latch® ball clamp design
- Quick to hook up and disconnect
- In compliance with SAE standard J684



Wedge-Latch® A-Frame Mount, Patent Pending, Cast A-frame couplers with patented replaceable hardware for longer service life



Wedge-Latch® Flat Plate Mount



Wedge-Latch® Adjustable Height Coupler
US Patent 6,505,849



Adjustable Height Bracket

HEAVY DUTY COUPLERS - CAST COUPLERS

Part No.	Gross Trailer Weight	Overall Length	Latches	Ball Size	SAE Class	Description	Unit Weight Lbs.
WEDGE-LATCH® CAST HEAD COUPLERS							
43805W0317	8,000	18"	Wedge Latch	2"	IV	Round jack mount, 50° A-frame	14.3
44125W0317	12,500	18"	Wedge Latch	2-5/16"	IV	Round jack mount, 50° A-frame	18.6
44150W0317	15,000	18"	Wedge Latch	2-5/16"	IV	Round jack mount, 50° A-frame	18.6
44150WQ317	15,000	18"	Wedge Latch	2-5/16"	IV	Square jack mount, 50° A-frame	18.6
44150WH301	15,000	18"	Wedge Latch	2-5/16"	IV	Round jack mount, 50° A-frame, for bolt-on applications	18.6
WEDGE-LATCH® FLAT MOUNT CAST HEAD COUPLERS							
4420000317	20,000	N/A	Wedge Latch	2-5/16"	N/A	Cast head, 4-1/2" mount pattern, grey primer coat	14.0
4425000317	25,000	N/A	Wedge Latch	2-5/16"	N/A	Cast head, 4-1/2" mount pattern, grey primer coat	15.0
ACCESSORY PART - WEDGE-LATCH® FLAT MOUNT CAST HEAD COUPLER							
PL4 0201		N/A	N/A	N/A	N/A	Pin/Lanyard 5/16" with 4 Link Chain & Tab	0.75
WEDGE-LATCH® ADJUSTABLE HEIGHT CAST HEAD COUPLERS							
A200C 0317	8,000	8-1/2"	Wedge Latch	2"	IV	Cast head includes mounting hardware, adjustable height	9.5
A2003C0317	8,000	9-1/4"	Wedge Latch	2"	IV	Cast head includes bolts and 3-position channel, adjustable height	13.7
A2005C0317	8,000	9-1/4"	Wedge Latch	2"	IV	Cast head includes bolts and 5-position channel, adjustable height	15.8
A256C 0317	14,000	9-1/4"	Wedge Latch	2-5/16"	IV	Cast head includes mounting hardware, adjustable height	10.1
A2563C0317	14,000	9-1/2"	Wedge Latch	2-5/16"	IV	Cast head includes bolts and 3-position channel, adjustable height	14.3
A2565C0317	14,000	9-1/2"	Wedge Latch	2-5/16"	IV	Cast head includes bolts and 5-position channel, adjustable height	16.4
ACCESSORY / REPLACEMENT PARTS - ADJUSTABLE HEIGHT CHANNEL BRACKET							
AC300 0300		8" Height	N/A	N/A	N/A	4-hole, 3-position bracket, with 4" of vertical adjustment, adjustable height	4.18
AC500 0300		11-3/4" Height	N/A	N/A	N/A	6-hole, 5-position bracket, with 8" of vertical adjustment, adjustable height	6.32
66 0801		N/A	N/A	2"	N/A	2" Ball size Wedge-Latch® repair kit. Includes latch lever, ball clamp, and replacement hardware	1.0
67 0801		N/A	N/A	2-5/16"	N/A	2-5/16" Ball size Wedge-Latch® repair kit. Includes latch lever, ball clamp, and replacement hardware	1.0

NOTE: Other custom-made designs are available upon request. ♦ DENOTES MOST POPULAR

HEAVY DUTY COUPLERS



A200S 0303



Actual product may vary slightly from image shown.

ADJUSTABLE HEIGHT COUPLERS

Part No.	Gross Trailer Weight	Overall Length	Ball	Description	Unit Wt. Lbs.
A200S 0303	8,000	9.00"	2"	Black Painted Finish, Mounting Hardware Included, Mounting Bracket Sold Separately	7.90
A256S 0303	14,000	9.50"	2-5/16"	Black Painted Finish, Mounting Hardware Included, Mounting Bracket Sold Separately	8.00

MOUNTING BRACKETS

Part No.	Overall Height	Description	Unit Wt. Lbs.
AC300 0300	8.00"	3 Position, Raw Finish, Mounting Hardware Sold Separately	4.20
AC500 0300	11.75"	5 Position, Raw Finish, Mounting Hardware Sold Separately	6.40
024202	n/a	Mounting Hardware, Individually Bagged	1.00



E338050303

YOKE COUPLER

Part No.	Gross Trailer Weight	Ball	Description	Unit Wt. Lbs.
E338050303	5,000	2"	Class III Coupler, Round Jack Mount 50° A-Frame, Black Painted Finish, Weld-on	7.80





ROUND GOOSENECK COUPLERS

BULLDOG gooseneck couplers are quick and easy to engage and strong and secure on the road. Our unique, patented, extruded locking plate design and high-strength steel components make BULLDOG gooseneck couplers 65% stronger than similar products.

- Easy-grip locking handle is accessible from any position, even with a glove on
- Self-centering locking plate lets you miss the ball by more than an inch
- Tight ball fit reduces jarring when changing speeds or on rough roads
- Heavy-duty construction provides unmatched strength
- User-friendly design is simple to use
- Quick to hook up and disconnect
- Easy vertical adjustment



0289500300



0287600300



GN24

0289500300
(shown with 63230 lock)

SQUARE GOOSENECK COUPLERS

You won't find a coupler that's faster or easier to use than the BULLDOG square gooseneck from Cequent Performance Products. Its user-friendly design makes hookup and release swift and secure.

- Easy-grip locking handle is accessible from any position
- Self-centering locking plate lets you miss the ball by more than an inch
- Tight ball fit reduces jarring when changing speeds or on rough roads
- Heavy-duty high-strength fabricated steel components are as strong as heavy cast iron but lighter and less brittle
- User-friendly design enables quick, easy hookup and release
- Locking handle cover protects working parts
- Cam locking pin affords easy vertical adjustment
- Pinch bolt design



028900



0289600300

KING PIN GOOSENECK COUPLERS

- Allows gooseneck trailer to be towed with vehicles equipped with a fifth wheel hitch
- Feature dual set bolts
- Round model features exclusive load bearing pin
- Square model features exclusive load bearing pinch bolt
- Available with or without outer tube



0289580300



0289590300

NOTE: All BULLDOG® Gooseneck Couplers are in compliance with the SAE standard J2638 .

WARNING

Failure to close coupler securely before towing or failure to use with specified ball size may result in serious injury or death.



ROUND GOOSENECK COUPLERS

Part No.	Capacity	Overall Height		Adjustment	Ball Size	Description	Unit Wt. Lbs.
		Retracted	Extended				
ROUND GOOSENECK FIXED COUPLER							
0287690300	20,000	33.00"	N/A		2-5/16"	Fixed base coupler.	38.0
ROUND GOOSENECK ADJUSTABLE COUPLER							
0287600300	20,000	29.20"	8.0"		2-5/16"	Adjustable gooseneck coupler.	46.0
0287610300	20,000	27.20"	8.0"		2-5/16"	Adjustable gooseneck coupler. No outer tube.	30.0
0289250300	25,000	29.30"	8.0"		2-5/16"	4.5" diameter outer tube, 4" diameter inner tube, with cast locking plates. 3/4" load bearing pin.	50.0
0289500300	30,000	29.30"	8.0"		2-5/16"	4.5" diameter outer tube, 4" diameter inner tube, with cast locking plates. 3/4" load bearing pin.	52.0
GOOSENECK COUPLER HEAD							
GN24 0200	24,000	N/A	N/A		2-5/16"	Cast steel gooseneck coupler designed for easy welding to 3" or 4" diameter tubing. Quick and easy latching action eliminates need to be in tow vehicle for hook-up.	5.5
GOOSENECK COUPLER OUTER TUBE							
0233010300						Outer tube only. 20" length, 4.5" round tube, with hole for 3/4" load bearing pin, (1) set bolt.	
0233050300						Outer tube only. 30" length, 4.5" round tube, with hole for 3/4" load bearing pin, (1) set bolt.	
0233100300						Outer tube only. 20" length, 4.5" round tube, with hole for 3/4" load bearing pin, (2) set bolts.	
REPLACEMENT PART - GOOSENECK COUPLER HEAD GN24 REPAIR KIT							
1542S01	N/A	N/A	N/A		N/A	Kit includes torsion spring, coupler locking shaft, curved handle assembly, 3/4" shaft retaining ring, centerlock nut 1/2-13	N/A
REPLACEMENT PART - GOOSENECK COUPLER KIT							
0287740300	N/A	N/A	N/A		2-5/16"	Kit includes coupler assembly, locking pin assembly, locking pin cover, bulldog label, and warning label.	10.0
0233060301	N/A	N/A	N/A		N/A	Replacement Pin Kit, includes cotter pin.	N/A

SQUARE GOOSENECK ADJUSTABLE COUPLERS

Part No.	Capacity	Overall Height		Adjustment	Ball Size	Description	Unit Wt. Lbs.
		Retracted	Extended				
0289600300	25,000	32"	40"	8"	2-5/16"	4.5" square outer tube, 4.0" square inner tube. (1) 3/4" diameter set screw.	57.0
0289900	30,000	32"	39"	7"	2-5/16"	4.5" square outer tube with .25" wall, 4.0" square inner tube with .313" wall. Includes topwind crank.	76.0
0289800300	30,000	32"	40"	8"	2-5/16"	4.5" square outer tube with, 4.0" square inner tube. (2) 3/4" diameter set bolts.	68.0

KING PIN GOOSENECK COUPLERS

Part No.	Capacity	Overall Height		Adjustment	Ball Size	Description	Unit Wt. Lbs.
		Retracted	Extended				
0289580300	25,000	23.3"	31.3"	8"	N/A	Round tube , raw finish, labels shipped loose.	56.0
0289640300	25,000	23.3"	31.3"	8"	N/A	Round tube , raw finish, labels shipped loose. Inner tube only.	56.0
0289590300	30,000	23.3"	31.3"	8"	N/A	Square tube , raw finish, labels shipped loose.	66.0
0289650300	30,000	23.3"	31.3"	8"	N/A	Square tube , raw finish, labels shipped loose. Inner tube only.	51.0

SERVICE KIT FOR SQUARE / SQUARE KING PIN GOOSENECK ADJUSTABLE COUPLERS

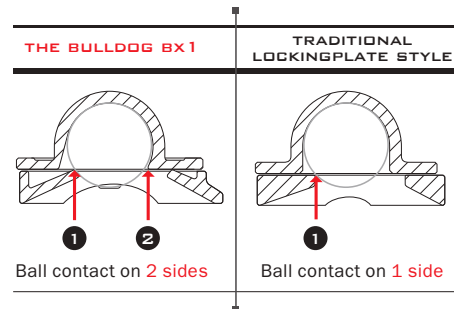
Part No.	Description
0289SB0140	Adjustable gooseneck pinch bolt kit



BX1 GOOSENECK COUPLERS

The BULLDOG BX1 coupler is the result of generations of design expertise and field experience. It incorporates innovative features that revolutionize the benefits available from a gooseneck coupler.

- Offers flexible mounting options with Next Generation locking plate coupler locking mechanism
- Makes hooking up, adjusting vertical height, and disconnecting quick and easy
- Maintains smooth operation over time with grease fittings for every important operating part
- Operates easily with one hand thanks to new locking handle design
- Provides continuous tight ball fit with ever-increasing cam tightening locking mechanism
- Protects against wear with enclosed locking pin mechanism
- Resists theft with integrated feature to allow pad-locking the coupler to the ball (lock not included)
- Guides ball into socket more easily—letting you miss by more than an inch—with bottom locking plate 50% larger than competitors
- Lengthens life of locking mechanism with oil-impregnated bushings
- Allows shorter retracted length and less wasted length for trucks with high bed height via low-profile locking mechanism
- Fits ball better and reduces jarring through contour-formed edge on bottom locking plate
- Delivers unmatched strength through heavy-duty construction
- Includes many modern innovations that improve security, service life, and functionality
- New ball pocket design provides contact on both sides of the ball for substantially improved pull out strength - the only sliding-plate design that transfers part of the load to the top locking plate rather than only the bottom locking plate



BX1 GOOSENECK COUPLERS

Part No.	Capacity	Overall Height		Adjustment	Ball Size	Description	Unit Wt. Lbs.
		Retracted	Extended				
1289000300	25,000	27.5"	35.5"	8"	2-5/16"	BX1 Coupler with outer tube	48.0
1289020300	25,000	N/A	N/A	8"	2-5/16"	BX1 Coupler less outer tube	31.0
SERVICE KIT							
500289	-	-	-	-	-	Service kit for BX1 Gooseneck Coupler handle mechanism	-

Patents Pending.

ROUND GOOSENECK COUPLERS



- 8" of Adjustment
- Handle hold-open feature
- Raw Finish
- 2 5/16" Ball Size
- P/N 0287820300 includes loading bearing pin



0287800300



Handle Hold-Open



0287820300



Load Bearing Pin

ROUND GOOSENECK COUPLERS

Part No.	Capacity	Overall Height Retracted	Adjustment	Ball Size	Description	Unit Wt. Lbs.
0287790300	20,000	26.70"	8.0"	2-5/16"	Raw Finish, 2 Set Screws	43.00
0287800300	25,000	26.70"	8.0"	2-5/16"	Raw Finish, 2 Set Screws	47.00
0287820300	25,000	26.70"	8.0"	2-5/16"	Raw Finish, 1 Set Screw, Load Bearing Pin	47.00

THE SAE INTERNATIONAL J2638 STANDARD FOR GOOSENECK AND 5TH WHEEL TRAILERS UNDER 30,000 LBS.



The Society of Automotive Engineers (SAE) is a non-profit educational and scientific organization dedicated to advancing mobility technology to better serve humanity. SAE has developed many standards, testing methods and procedures to measure the performance of vehicles and vehicle related products, including trailers. SAE J2638 addresses both gooseneck and 5th wheel trailers under 30,000 lbs. The testing methods for gooseneck are as follows:

TESTING METHODS

STATIC TESTING is a one time maximum load requirement for the three test conditions.

The test is to be maintained for 5 Seconds.

- **Vertical** - tests the goosenecks ability with upward and downward pressure
 - 85% of GVW Pull Out (25K lb Gooseneck = 21,250 lbs)
 - 50% of GVW Down (25K lb Gooseneck = 12,500 lbs)
- **Longitudinal** - tests the goosenecks ability with front and back pressure
 - 75% of GVW Front and Back (25K lb Gooseneck = 18,750 lbs)
- **Transverse** - tests the goosenecks ability with side to side pressure
 - 30% of GVW Each Side (25K lb Gooseneck = 7,500 lbs)

DYNAMIC TESTING defines requirements for repetitive testing in the three test conditions.

- 300,000 Cycles in each test condition. (Vertical, Longitudinal and Transverse)
- The same unit is used for all three tests. (900,000 Cycles all together)
- The range of load requirements are based on GVW and Rated Coupler Load.

In order to assure safety and accountability for the products produced, SAE J2638 also requires:

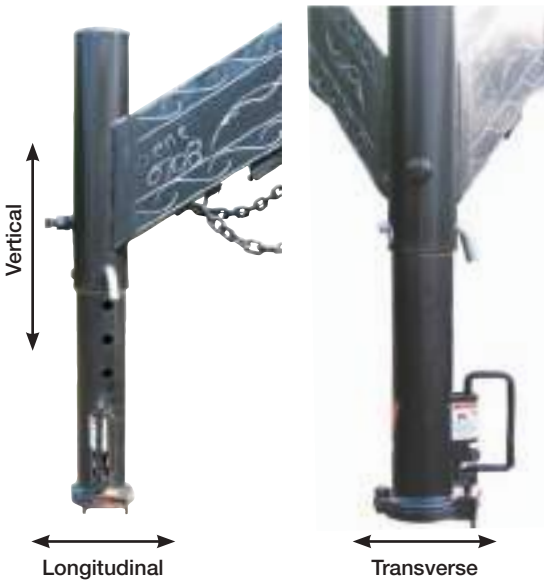
- Product Identification
 - Manufacturer's Name
 - Maximum Trailer GVW
 - Rated Vertical Coupler Load
 - Ball Size
- Testing
 - Products are to be fixtured at the maximum stress conditions
 - There should be no loss of attachment during testing
 - When testing is completed, the coupler will be capable of being uncoupled and coupled

CEQUENT COMMITMENT

As the leading manufacturer of gooseneck couplers, Cequent understands the importance of the new SAE standard for Goosenecks and 5th Wheels. We are committed to providing products that meet or exceed these recommendations and our commitment is evident by our investment in people and facilities dedicated to testing our products.

In addition to being one of the only manufacturers with dedicated testing facilities, Cequent also has over 90 years of manufacturing experience to insure our products are of the highest quality and reliability.

Because of the size of our organization we can provide the added benefits of high quality, unmatched reliability and proven strength, at a competitive price.



Competitor's 25K gooseneck fails longitudinal test at 11,500 lbs.



22300

FULTON

STAMPED COUPLERS

The most popular coupler mechanism ever developed, the Fas-Lok[®] originated as a Fulton brand and is offered in a full line of SAE Class I through IV rated straight tongue stamped couplers. The Fas-Lok[®] latching mechanism allows quick and easy trailer hook-up, and is factory adjusted for convenience.



34300

STAMPED COUPLERS



Straight Tongue Fas-Lok[®]
Quick and easy trailer hook-up.



A-Frame
High-strength stamped couplers
for 50-degree frames.



44314R
US Patent
6,505,849

HANDI-GRIP COUPLER HANDLE



STAMPED COUPLERS WITH Z-MAX 600 SUPERIOR PLATING



Fulton coupler after
336 hours salt spray testing.



Competitor's coupler
after 336 hours salt spray testing.



STAMPED COUPLERS - STRAIGHT TONGUE STAMPED FAS-LOK® COUPLERS

Part No.	Gross Trailer Weight	Ball Size	SAE Class	Description	Finish	Packaging
E112000340	2,000	1-7/8"	I	2" Wide Channel, Clear Zinc Finish, No Product Label	100 Hr.	Bulk
11200 0317	2,000	1 7/8"	I	2" Wide Channel, Primed Finish, No Product Label	Primed	Bulk
11200 0101	2,000	1-7/8"	I	2" Wide Channel, Clear Zinc Finish, Labeled	100 Hr.	Ind. Labeled
E112500340	2,000	1-7/8"	I	2-1/2" Wide Channel, Clear Zinc Finish, No Product Label	100 Hr.	Bulk
11250 0317	2,000	1 7/8"	I	2 -1/2" Wide Channel, Primed Finish, No Product Label	Primed	Bulk
E113000340	2,000	1-7/8"	I	3" Wide Channel, Clear Zinc Finish, No Product Label	100 Hr.	Bulk
11300 0317	2,000	1 7/8"	I	3" Wide Channel, Primed Finish, No Product Label	Primed	Bulk
11300 0101	2,000	1-7/8"	I	3" Wide Channel, Clear Zinc Finish, Labeled	100 Hr.	Ind. Labeled
22200 0101	3,500	2"	II	2" Wide Channel, Labeled	Z-Max 600	Ind. Labeled
22200 0301	3,500	2"	II	2" Wide Channel, No Product Label	Z-Max 600	Bulk
22200 0317	3,500	2"	II	2" Wide Channel, Primed Finish, No Product Label	Primed	Bulk
22250 0101	3,500	2"	II	2-1/2" Wide Channel, Labeled	Z-Max 600	Ind. Labeled
22250 0301	3,500	2"	II	2-1/2" Wide Channel, No Product Label	Z-Max 600	Bulk
22250 0317	3,500	2"	II	2 -1/2" Wide Channel, Primed Finish, No Product Label	Primed	Bulk
22300 0101	3,500	2"	II	3" Wide Channel, Labeled	Z-Max 600	Ind. Labeled
22300 0301	3,500	2"	II	3" Wide Channel, No Product Label	Z-Max 600	Bulk
22300 0317	3,500	2"	II	3" Wide Channel, Primed Finish, No Product Label	Primed	Bulk
34300 0301	5,000	2"	III	3" Wide Channel, No Product Label	Z-Max 600	Bulk
34300 0317	5,000	2"	III	3" Wide Channel, Primed Finish, No Product Label	Primed	Bulk
34600 0301	6,000	2"	IV	3" Wide Channel, Cast Ball Clamp, No Product Label	Z-Max 600	Bulk

STAMPED COUPLERS - A-FRAME STAMPED COUPLERS

Part No.	Gross Trailer Weight	Ball Size	SAE Class	Description	Finish	Packaging
E333050303	5,000	2"	III	50 Degree A-Frame (Weld-On)	Black Primed	Bulk
E443050303	10,000	2-5/16"	IV	50 Degree A-Frame (Weld-On), Low Profile Latch	Black Primed	Bulk
44305R0317	10,000	2-5/16"	IV	50 Degree A-Frame (Weld On), Wedge-Latch®	Primed	Bulk
44305R0500	10,000	2-5/16"	IV	50 Degree A-Frame (Weld On), Wedge-Latch®	Oily	Bulk
44314R0303	14,000	2-5/16"	IV	50 Degree A-Frame (Weld On), Wedge-Latch®	Black Paint	Bulk

STAMPED COUPLERS - HANDWHEEL COUPLERS

Part No.	Gross Trailer Weight	Ball Size	SAE Class	Description	Finish	Packaging
308 0217	5,000	2" - 2-1/8"	III	2-7/8" Channel, Handwheel Latch	Primed	Ind. Labeled
308 0317	5,000	2" - 2-1/8"	III	2-7/8" Channel, Handwheel Latch	Primed	Bulk

STAMPED COUPLERS - COUPLER ACCESSORIES / REPLACEMENT PARTS

Part No.	Description	Packaging
CH 0701	Handi-Grip Coupler Handle	Carded
52 0801	Kit, 308 repair, handwheel couplers	Poly Bag
64 0801	Kit, 44305R, coupler replacement	Poly Bag

*Couplers do not include hitch balls. Class III hardware couplers can be used on Class II trailers.
NOTE: Review price list or contact customer service for package quantities and full part number.*

⚠ WARNING

Failure to close coupler securely before towing or failure to use with specified ball size may result in serious injury or death.



FOLD-AWAY™ COUPLERS / HINGE KITS

Fulton High Performance Series Fold-Away™ coupler and hinge kits are ideal for boat trailers that can be just a little too long to fit inside smaller garages. These high quality, precision engineered products provide three options for solving this common problem. Choose the Fold-Away™ product that fits your needs from among several varieties made to fit standard trailer tongue dimensions.

Models with Z-Max 600-hour zinc plating provide protection 6 times longer than typical zinc finishes. By far the best finish in the industry, Z-Max 600 is tested per ASTM B117. Bolt-on and weld-on kits with raw finish are ideal for painting or galvanizing.



Limited 5-year warranty.

FOLD-AWAY™ COUPLERS

- Replace existing couplers on trailers with 3500 lb. & 5000 lb. weight capacities
- Shortens trailer tongue by 34"
- Unique patented offset design
- Meets SAE J684 requirements
- Easy to install bolt-on application with complete instruction manual
- Includes all mounting hardware



Fold-Away™ coupler now available in aftermarket box and bulk.

Space Saving!



BOLT-ON
Easy-to-install



WELD-ON

FOLD-AWAY™ BOLT-ON HINGE KITS

- Converts standard trailer tongues into fold-away configurations while preserving the existing coupler
- Delivers strength at the pivot point with precisely machined heavy duty hinges made from die cast steel
- Easy to install bolt-on application with complete instruction manual
- Includes all mounting hardware

FOLD-AWAY™ WELD-ON HINGE KITS

- Ideal for OEMs, a convenient option for custom trailers to utilize a pivot system
- Delivers strength at the pivot point with precisely machined heavy-duty hinges made from die cast steel
- Provides superior performance with unique patent pending offset design
- Works with actuators and standard coupler applications, note gross trailer weight



FOLD-AWAY™ COUPLERS

(Consult pivot rating charts on following page for allowed capacity.)

Part No.	Gross Trailer Weight	Ball Size	SAE Class	Pivot Length	Description	Finish	Packaging
HPB3530101	3,500	2"	II	34"	34" Coupler Kit, 3" x 3" Trailer Tongues, Bolt On	Z-Max 600	Display Box
HPB3530301	3,500	2"	II	34"	34" Coupler Kit, 3" x 3" Trailer Tongues, Bolt On	Z-Max 600	Bulk
HPB3540101	3,500	2"	II	34"	34" Coupler Kit, 3" x 4" Trailer Tongues, Bolt On	Z-Max 600	Display Box
HPB3540301	3,500	2"	II	34"	34" Coupler Kit, 3" x 4" Trailer Tongues, Bolt On	Z-Max 600	Bulk
HPB5040101	5,000	2"	III	34"	34" Coupler Kit, 3" x 4" Trailer Tongues, Bolt On	Z-Max 600	Display Box
HPB5040301	5,000	2"	III	34"	34" Coupler Kit, 3" x 4" Trailer Tongues, Bolt On	Z-Max 600	Bulk

Includes Fold-Away hinges, mounting hardware, pivot bolt, pivot pin/clip, extension tube and coupler.
Chains and torques bit included with retail display box packaged items.

FOLD-AWAY™ BOLT-ON HINGE KITS

(Consult pivot rating charts on following page for allowed capacity.)

Part No.	Gross Trailer Weight	Ball Size	SAE Class	Pivot Length	Description	Finish	Packaging
HDPB230101	Up To 5,000	N/A	N/A	Up to 48"	Bolt-On Hinge Kit, 2" x 3" Trailer Tongues	Z-Max 600	Display Box
HDPB230301	Up To 5,000	N/A	N/A	Up to 48"	Bolt-On Hinge Kit, 2" x 3" Trailer Tongues	Z-Max 600	Bulk
HDPB330101	Up To 5,000	N/A	N/A	Up to 48"	Bolt-On Hinge Kit, 3" x 3" Trailer Tongues	Z-Max 600	Display Box
HDPB330301	Up To 5,000	N/A	N/A	Up to 48"	Bolt-On Hinge Kit, 3" x 3" Trailer Tongues	Z-Max 600	Bulk
HDPB340101	Up To 7,500	N/A	N/A	Up to 48"	Bolt-On Hinge Kit, 3" x 4" Trailer Tongues	Z-Max 600	Display Box
HDPB340301	Up To 7,500	N/A	N/A	Up to 48"	Bolt-On Hinge Kit, 3" x 4" Trailer Tongues	Z-Max 600	Bulk
HDPB350101	Up To 9,000	N/A	N/A	Up to 48"	Bolt-On Hinge Kit, 3" x 5" Trailer Tongues	Z-Max 600	Display Box
HDPB350301	Up To 9,000	N/A	N/A	Up to 48"	Bolt-On Hinge Kit, 3" x 5" Trailer Tongues	Z-Max 600	Bulk

Includes Fold-Away hinges, mounting hardware, pivot bolt, pivot pin/clip.
Torques bit included with retail display box packaged items.

FOLD-AWAY™ WELD-ON HINGE KITS

(Consult pivot rating charts on following page for allowed capacity.)

Part No.	Gross Trailer Weight	Ball Size	SAE Class	Pivot Length	Description	Finish	Packaging
HDPW230300	Up To 5,000	N/A	N/A	Up to 48"	Weld-On Hinge Kit, 2" x 3" Trailer Tongues	Raw Casting	Bulk
HDPW330300	Up To 5,000	N/A	N/A	Up to 48"	Weld-On Hinge Kit, 3" x 3" Trailer Tongues	Raw Casting	Bulk
HDPW340300	Up To 7,500	N/A	N/A	Up to 48"	Weld-On Hinge Kit, 3" x 4" Trailer Tongues	Raw Casting	Bulk
HDPW350300	Up To 9,000	N/A	N/A	Up to 48"	Weld-On Hinge Kit, 3" x 5" Trailer Tongues	Raw Casting	Bulk

Includes Fold-Away hinges (raw finish castings ideal for painting or galvanizing), zinc plated pivot bolt and nut, 5/8" diameter hitch pin and clip.

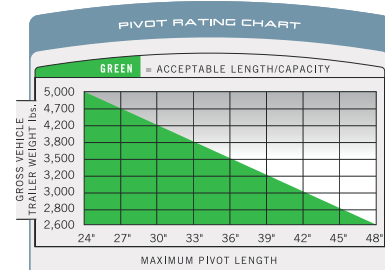


PIVOT RATING CHARTS



Fold-Away Couplers

Fulton High Performance Series Fold-Away Couplers replace existing couplers on trailers with 3500 lb. & 5000 lb. weight capacities.

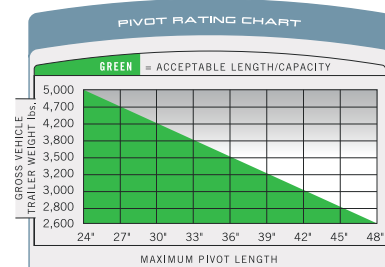


2" x 3" TRAILER TONGUES



Fold-Away Bolt-On Hinge Kits

Fulton Fold-Away Bolt-on Hinge Kits convert standard trailer tongues into fold-away configurations while preserving the existing coupler.

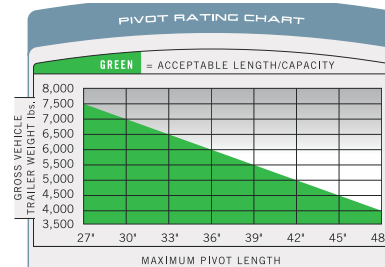


3" x 3" TRAILER TONGUES

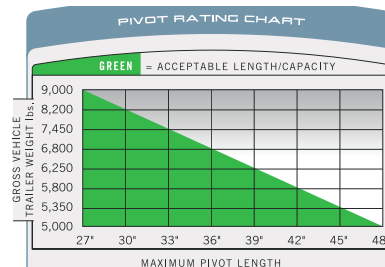
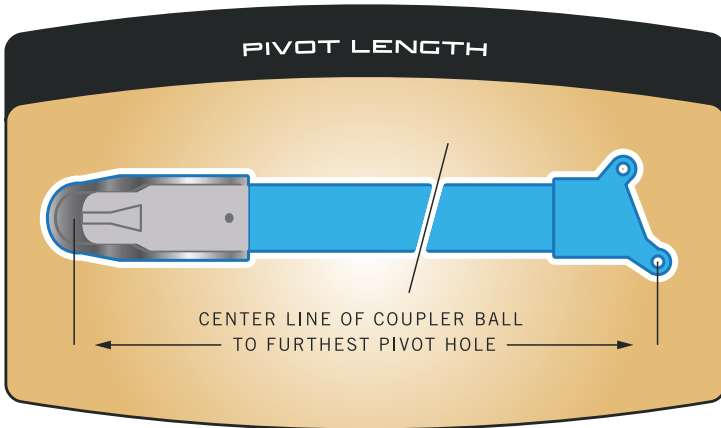


Fold-Away Weld-On Hinge Kits

Ideal for OEMs, Fulton Fold-Away Weld-on Hinge Kits are a convenient option for custom trailers to utilize a pivot system.



3" x 4" TRAILER TONGUES



3" x 5" TRAILER TONGUES

Need a Winch? Does the application require Pulling or Lifting?

STAMPED COUPLERS - SELECT A FULTON "T" SERIES TRAILER WINCH

To Select T Winch Capacity:

Minimum Winch Capacity = Maximum Weight of Boat, Including Motor, Fuel, Gear ÷ 2

Example:

Boat, Motor, Fuel, Gear Weight = 2,800 lbs.
 $2,800 \div 2 = 1,400$ lbs.

Select T1500 Winch, rated at 1,500 lbs.



XLT18



T3700

COMMON PULLING APPLICATION

If shallow water or steep inclined launches are expected to be used ÷ Maximum Weight by 1.5

Example:

Boat, Motor, Fuel, Gear Weight = 3,100 lbs.
 $3,100 \div 1.5 = 2,067$ lbs.

Select T2100 Winch, rated at 2,100 lbs.



LIFTING - SELECT A FULTON "K" SERIES BRAKE WINCH

To Select T Winch Capacity:

Minimum Winch Capacity = Maximum Weight of Boat, Including Motor, Fuel, Gear ÷ 2

Example:

Boat, Motor, Fuel, Gear Weight = 2,800 lbs.
 $2,800 \div 2 = 1,400$ lbs.

Select T1500 Winch, rated at 1,500 lbs.



K2550



KW3000

COMMON LIFTING APPLICATIONS



NOTES

1. Fulton Winches are not designed to be human hoists and should never be operated when there are persons on or under the load being moved.
2. Fulton Winches are rated on the first layer of recommended line on the drum. For maximum efficiency use only the amount of line required. Derate the capacity 10% per additional layer of rope, strap, or cable.



F2® SINGLE SPEED TRAILER WINCH

Fulton continues to expand the F2 series of products with the introduction of the 1600 lb. F2 Single Speed Trailer Winch. Enclosed frame for performance and style, this 1600 lb. winch is user-friendly, sleek and reliable. Attractive design is styled to compliment the F2 jack series for a custom look.

- Compact design
- Enclosed frame design for a sleek, strong stylish look
- Two piece corrosion resistant aluminum frame
- One piece corrosion resistant aluminum handle
- Dual gear drum operates smoothly
- Handle switches from left to right hand drive
- Handle is easily adjustable - 6" to 7"
- Soft ergonomic grip
- Features E.I.S. - "Easy Install System"
- Strap and mounting hardware included in Display Box packaged product
- **CE** Compliant
- Limited Lifetime Warranty



E.I.S. - Easy Install System



Adjustable Handle



Hub Mounted Strap



PREMIUM FINISH

- Environmentally friendly
- Self-healing
- Maximum corrosion resistance
- Used in salt water environments and other demanding climate applications
- 1200 hour salt spray rating per ASTM B117

F2® TRAILER WINCHES

Part No.	Capacity	Gear Ratio	Handle Length	Strap	Strap Included	Finish	Packaging	Unit Wt. Lbs.
FW16000101	1,600	4.1:1	2 Position 6", 7"	20'	YES	Sharkskin	Display Box	9.25
FW16000301	1,600	4.1:1	2 Position 6", 7"	N/A	NO	Sharkskin	Bulk	7.85

Patent Pending.

F2® SINGLE SPEED TRAILER WINCH

The F2® Winch addresses the need for attractive design in every element of a marine trailer. This 2000 lb. capacity winch will complement the look of even high end boat and trailer combinations and continues the industry-changing improvements in both performance and style of the Fulton F2® series of products. Its clean, high-tech look is sleek and powerful.

- Completely enclosed stylish design – compliment your boat and customize your trailer’s styling
- 2000 lb. capacity
- E.I.S. - Easy Install System
- Precision fit components eliminate tightening or replacement
- Maintenance free – designed to eliminate the need for lubrication or maintenance
- Corrosion-resistant coating resists damage from moisture and salt
- Corrosion-resistant one-piece aluminum frame and one-piece aluminum handle
- Smooth reliable solid drive gear and powerful dual gear drum
- Center drive enclosed ratchet system
- User-friendly pull-turn knob to engage ratchet plunger pin
- Adjustable-length soft grip handle, switches from left- to right-hand drive configuration
- Includes 20’ strap with hook
- Standard mounting bolt pattern, mounting hardware included, (footprint 8”H x 6.5”W x 9.5”D)
- **CE** Compliant
- Limited Lifetime Warranty



FW20000101



E.I.S. - Easy Install System



Adjustable Handle



Easy Ratchet System

F2® TWO SPEED TRAILER WINCH

With its completely enclosed design, Fulton® expands the F2 Series of products with the introduction of the F2 Two Speed Trailer Winch. This 3200 lb. capacity winch is user-friendly, sleek, and reliable. The self-engaging one-handed system shifts from high to low speed.

- Completely enclosed design
- 3,200 lb. capacity
- Includes all mounting hardware, E.I.S. – Easy Install System
- Ergonomic 4-position adjustable handle adjusts from 6”–9”
- Center drive enclosed ratchet
- User-friendly pull-turn knob to engage ratchet plunger pin
- Includes strap guide and 20’ heavy duty strap with hook
- Patents pending
- **CE** Compliant
- Limited Lifetime Warranty



PREMIUM FINISH

- Environmentally friendly
- Self-healing
- Maximum corrosion resistance
- Used in salt water environments and other demanding climate applications
- 1200 hour salt spray rating per ASTM B117



2 Speed Gear System



Neutral



Low Speed



High Speed



FW32000101

F2® TRAILER WINCHES

Part No.	Capacity	Gear Ratio	Handle Length	Strap	Strap Included	Finish	Packaging	Unit Wt. Lbs.
F2® SINGLE SPEED TRAILER WINCH								
FW20000101	2,000	5.1:1	4 Position 6", 7", 8", 9"	20' x 2" w/Hook	YES	Sharkskin™	Display Box	6.7
FW20000301	2,000	5.1:1	4 Position 6", 7", 8", 9"	20' x 2" w/Hook	YES	Sharkskin™	Bulk	6.7
F2® TWO SPEED TRAILER WINCH								
FW32000101	3,200	5.1:1, 3.17:1	4 Position 6", 7", 8", 9"	20' x 2" Heavy Duty w/Hook	YES	Sharkskin™	Display Box	15.7
FW32000301	3,200	5.1:1, 3.17:1	4 Position 6", 7", 8", 9"	20' x 2" Heavy Duty w/Hook	YES	Sharkskin™	Bulk	15.7

FULTON

SINGLE SPEED TRAILER WINCHES



We manufacture a full line of Fulton brand single speed winches designed to meet your toughest pulling demands. Our winches feature efficient gear ratios, full-length drum bearings, oil-impregnated shaft bushings, and our "Comfort Grip" handle for ease of cranking. All gears are high-carbon steel for superb strength and long-term durability. Stamped carbon steel frames provide rigidity for gear alignment and longer cycle life. Zinc finishes provide excellent corrosion resistance in all environments. All models are designed for use with rope or strap. For end user convenience, most models are available with factory installed straps and hooks. Our XLT® Series includes stylized polypropylene shell with strap and hook as standard features. The T1300 and T1500 models offer optional gear covers, gear train protection, and added styling like T1500ZC.

CE Compliant



XLT14
Winch Housing US Patent
D407,883
Cover Plate US Patent
D395,116



T1500ZC
*(ZC-models include
strap, hook, and cover)*
US Patent D434,892



T1602



T1100



SINGLE SPEED TRAILER WINCHES

Part No.	Capacity	Gear Ratio	Handle Length	Max. Merch. Adv.**	Ratchet Type	Drum Storage			Strap Mfg. Bolt Sizes (Not Included)	Replace Handle	Strap Included	Packaging
						Rope	Cable	Strap				
T600 0101	600	3.1:1	6"	34:1	Two-way	36' x 1/4"	N/A	15' x 2"	1/4" x 2-1/2" Grade 5	5868	NO	Litho Box
T600 0301	600	3.1:1	6"	34:1	Two-way	36' x 1/4"	N/A	15' x 2"	1/4" x 2-1/2" Grade 5	5868	NO	Bulk
T600Z0301	600	3.1:1	6"	34:1	Two-way	36' x 1/4"	N/A	15' x 2"	1/4" x 2-1/2" Grade 5	5868	YES	Bulk
T900 0101	900	3.1:1	7"	39:1	Two-way	36' x 1/4"	N/A	15' x 2"	1/4" x 2-1/2" Grade 5	6312	NO	Litho Box
T900 0301	900	3.1:1	7"	39:1	Two-way	36' x 1/4"	N/A	15' x 2"	1/4" x 2-1/2" Grade 5	6312	NO	Bulk
T900Z0101	900	3.1:1	7"	39:1	Two-way	36' x 1/4"	N/A	15' x 2"	1/4" x 2-1/2" Grade 5	6312	YES	Litho Box
T900Z0301	900	3.1:1	7"	39:1	Two-way	36' x 1/4"	N/A	15' x 2"	1/4" x 2-1/2" Grade 5	6312	YES	Bulk
T903Z 0101	900	3.1:1	6"	39:1	Two-way	36' x 1/4"	N/A	12' x 2"	1/4" x 2-1/2" Grade 5	6312	YES	Litho Box
T903Z 0301	900	3.1:1	6"	39:1	Two-way	36' x 1/4"	N/A	12' x 2"	1/4" x 2-1/2" Grade 5	6312	YES	Bulk
T1100 0101	1,100	4.1:1	7"	43:1	Two-way	30' x 5/16"	N/A	20' x 2"	1/4" x 2-1/2" Grade 5	6312	NO	Litho Box
T1100 0301	1,100	4.1:1	7"	43:1	Two-way	30' x 5/16"	N/A	20' x 2"	1/4" x 2-1/2" Grade 5	6312	NO	Bulk
T1100Z0101	1,100	4.1:1	7"	43:1	Two-way	30' x 5/16"	N/A	20' x 2"	1/4" x 2-1/2" Grade 5	6312	YES	Litho Box
T1300 0101	1,300	4.1:1	8"	49:1	Two-way	30' x 5/16"	N/A	20' x 2"	1/4" x 2-1/2" Grade 5	6302	NO	Litho Box
T1300 0301	1,300	4.1:1	8"	49:1	Two-way	30' x 5/16"	N/A	20' x 2"	1/4" x 2-1/2" Grade 5	6302	NO	Bulk
T1300Z0101	1,300	4.1:1	8"	49:1	Two-way	30' x 5/16"	N/A	20' x 2"	1/4" x 2-1/2" Grade 5	6302	YES	Litho Box
XLT14ZB101	1,400	4.1:1	8"	43:1	Two-way	N/A	N/A	20' x 2"	5/16" x 2-1/2" Grade 5	6302	YES	Litho Box
XLT14ZB301	1,400	4.1:1	8"	43:1	Two-way	N/A	N/A	20' x 2"	5/16" x 2-1/2" Grade 5	6302	YES	Bulk
T1500 0101	1,500	4.1:1	8"	49:1	Two-way	20' x 5/16"	N/A	20' x 2"	1/4" x 2-1/2" Grade 5	6302	NO	Litho Box
T1500 0301	1,500	4.1:1	8"	49:1	Two-way	20' x 5/16"	N/A	20' x 2"	1/4" x 2-1/2" Grade 5	6302	NO	Bulk
T1500Z0101	1,500	4.1:1	8"	49:1	Two-way	20' x 5/16"	N/A	20' x 2"	1/4" x 2-1/2" Grade 5	6302	YES	Litho Box
T1500Z0301	1,500	4.1:1	8"	49:1	Two-way	20' x 5/16"	N/A	20' x 2"	1/4" x 2-1/2" Grade 5	6302	YES	Bulk
T1602 0101	1,600	5.1:1	9"	56:1	Two-way	20' x 7/16"	N/A	20' x 2"	3/8" x 2-3/4" Grade 5	6822	NO	Litho Box
T1602 0301	1,600	5.1:1	9"	56:1	Two-way	20' x 7/16"	N/A	20' x 2"	3/8" x 2-3/4" Grade 5	6822	NO	Bulk
T1801 0101	1,800	5.1:1	10"	62:1	Two-way	20' x 7/16"	N/A	20' x 2"	3/8" x 2-3/4" Grade 5	6817	NO	Litho Box
T1801 0301	1,800	5.1:1	10"	62:1	Two-way	20' x 7/16"	N/A	20' x 2"	3/8" x 2-3/4" Grade 5	6817	NO	Bulk
T1801Z0101	1,800	5.1:1	10"	62:1	Two-way	20' x 7/16"	N/A	20' x 2"	3/8" x 2-3/4" Grade 5	6817	YES	Litho Box
T1801Z0301	1,800	5.1:1	10"	62:1	Two-way	20' x 7/16"	N/A	20' x 2"	3/8" x 2-3/4" Grade 5	6817	YES	Bulk
XLT18ZB101	1,800	5.1:1	10"	62:1	Two-way	N/A	N/A	20' x 2"	3/8" x 2-3/4" Grade 5	6817	YES	Litho Box
XLT18ZB301	1,800	5.1:1	10"	62:1	Two-way	N/A	N/A	20' x 2"	3/8" x 2-3/4" Grade 5	6817	YES	Bulk
T2100 0301	2,100	5.1:1	10"	62:1	Two-way	20' x 7/16"	N/A	20' x 2"	3/8" x 2-3/4" Grade 5	6817	NO	Bulk

CE All Cequent Performance Products single speed trailer winches are **CE** compliant.

**Maximum Mechanical Advance - Based on first layer of recommended line on the drum.
For maximum efficiency, use only the amount of line required.



XLT20ZB

FULTON

TWO SPEED TRAILER WINCHES

Make light work of heavy loads with Fulton brand two-speed winches. One fast speed for quick pull-in, a second low speed for increased mechanical advantage. Our shift lock design allows changing gears without moving the crank handle from shaft to shaft. Just lift the shift lock and slide the shaft into the desired gear position. Shift lock holds the shaft in gear. Neutral, free-wheel position allows quick line pay out without spinning the handle. Our ratchet pawl also has a convenient neutral position. Optional handbrake kit no. 1619-01 purchased separately and available for all two-speed winches and can be installed after the winch is mounted.

Our XLT® series includes stylized polypropylene shell with strap and hook as standard features.

CE Compliant



T2005



T2605



T2605Z



TWO SPEED TRAILER WINCHES

Part No.	Cap.	Gear Ratio	Handle Length	Max. Merch. Adv**	Ratchet Type	Drum Storage			Strap Mfg. Bolt Sizes (Not Included)	Hub Size	Hand Brake	Replace Handle	Strap Includ.	Cable Includ.	Pkg.
						Rope	Cable	Strap							
T2005 0101	2,000	4.1:1 & 9.8:1	10"	87:1	Two-way w/neutral	20' x 7/16"	N/A	N/A	N/A	1"	1619-01***	6817	N/A	N/A	Litho Box
T2005 0301	2,000	4.1:1 & 9.8:1	10"	87:1	Two-way w/neutral	20' x 7/16"	N/A	N/A	N/A	1"	1619-01***	6817	N/A	N/A	Bulk
T2005Z0101	2,000	4.1:1 & 9.8:1	10"	87:1	Two-way w/neutral	N/A	N/A	20' x 2"	3/8" x 2-3/4" grade 5	1"	1619-01***	6817	YES	N/A	Litho Box
T2005Z0301	2,000	4.1:1 & 9.8:1	10"	87:1	Two-way w/neutral	N/A	N/A	20' x 2"	3/8" x 2-3/4" grade 5	1"	1619-01***	6817	YES	N/A	Bulk
XL20ZB301	2,000	4.1:1 & 9.8:1	10"	87:1	Two-way w/neutral	N/A	N/A	20' x 2"	3/8" x 2-3/4" grade 5	1"	1619-01***	6817	YES	N/A	Bulk
T2005S0301	2,000	4.1:1 & 9.8:1	10"	87:1	Two-way w/neutral	20' x 7/16"	N/A	20' x 2"	3/8" x 2-3/4" grade 5	1"	1619-01***	6817	NO	N/A	Bulk
T2025 0301	2,000	4.1:1 & 9.8:1	10"	64:1	Two-way w/neutral	N/A	50' x 7/32"	N/A	Cable only	1-3/4"	NO	6817	N/A	NO	Bulk
T2605 0101	2,600	5.1:1 & 12.2:1	10"	108:1	Two-way w/neutral	24' x 7/16"	N/A	N/A	N/A	1"	1619-01***	6817	N/A	N/A	Litho Box
T2605 0301	2,600	5.1:1 & 12.2:1	10"	108:1	Two-way w/neutral	24' x 7/16"	N/A	N/A	N/A	1"	1619-01***	6817	N/A	N/A	Bulk
T2605Z0101	2,600	5.1:1 & 12.2:1	10"	108:1	Two-way w/neutral	N/A	N/A	20' x 2"	3/8" x 2-3/4" grade 5	1"	1619-01***	6817	YES	N/A	Litho Box
T2605Z0301	2,600	5.1:1 & 12.2:1	10"	108:1	Two-way w/neutral	N/A	N/A	20' x 2"	3/8" x 2-3/4" grade 5	1"	1619-01***	6817	YES	N/A	Bulk
XL26ZB301	2,600	5.1:1 & 12.2:1	10"	108:1	Two-way w/neutral	N/A	N/A	20' x 2"	3/8" x 2-3/4" grade 5	1"	1619-01***	6817	YES	N/A	Bulk
T2605B0101	2,600	5.1:1 & 12.2:1	10"	108:1	Two-way w/neutral	24' x 7/16"	N/A	N/A	N/A	1"	Installed	6817	N/A	N/A	Litho Box
T2605B0301	2,600	5.1:1 & 12.2:1	10"	108:1	Two-way w/neutral	24' x 7/16"	N/A	N/A	N/A	1"	Installed	6817	N/A	N/A	Bulk
T2605S0301	2,600	5.1:1 & 12.2:1	10"	108:1	Two-way w/neutral	24' x 7/16"	N/A	20' x 2"	3/8" x 2-3/4" grade 5	1"	1619-01***	6817	NO	N/A	Bulk
T2625 0101	2,600	5.1:1 & 12.2:1	10"	79:1	Two-way w/neutral	N/A	100' x 7/32"	N/A	Cable only	1-3/4"	1619-01***	6817	N/A	NO	Litho Box
T2625 0301	2,600	5.1:1 & 12.2:1	10"	79:1	Two-way w/neutral	N/A	100' x 7/32"	N/A	Cable only	1-3/4"	1619-01***	6817	N/A	NO	Bulk
T3205 0101	3,200	5.1:1 & 12.2:1	10"	79:1	Two-way w/neutral	N/A	100' x 7/32"	N/A	Cable only	1-3/4"	1619-01***	6817	N/A	NO	Litho Box
T3205 0301	3,200	5.1:1 & 12.2:1	10"	79:1	Two-way w/neutral	N/A	100' x 7/32"	N/A	Cable only	1-3/4"	1619-01***	6817	N/A	NO	Bulk
XL23ZB301	3,200	5.1:1 & 12.2:1	10"	79:1	Two-way w/neutral	N/A	N/A	20' x 2"	3/8" x 2-3/4" grade 5	1"	1619-01***	6817	YES	N/A	Bulk
T3205B0101	3,200	5.1:1 & 12.2:1	10"	79:1	Two-way w/neutral	N/A	100' x 7/32"	N/A	Cable only	1-3/4"	Installed	6817	N/A	NO	Litho Box
T32ZHD0301	3,200	5.1:1 & 12.2:1	10"	108:1	Two-way w/neutral	N/A	N/A	20' x 2"	3/8" x 2-3/4" grade 5	1"	Installed	6817	YES	N/A	Bulk
T3700 0101	3,700	5.1:1 & 12.2:1	10"	102:1	Two-way	N/A	90' x 7/32"	N/A	Cable only	1-3/4"	Included	9235	N/A	NO	Litho Box
T3700 0301	3,700	5.1:1 & 12.2:1	10"	102:1	Two-way	N/A	90' x 7/32"	N/A	Cable only	1-3/4"	Included	9235	N/A	NO	Bulk

The "S" version winches have a narrower drum to accommodate a 2" wide strap. **CE** All Cequent Performance Products two speed trailer winches are **CE** compliant. ** Maximum Mechanical Advance - Based on first layer of recommended line on the drum. For maximum efficiency, use only the amount of line required. *** Brake Kit 1619-01 available as option not furnished. Only winches that are shown to accommodate steel cable should be used with steel cable. Cable keeper kits are included with the winches specifying steel cable. Winches rated for steel cable have a larger drum hub to reduce or lessen chance of kinking or fraying.

Notes:

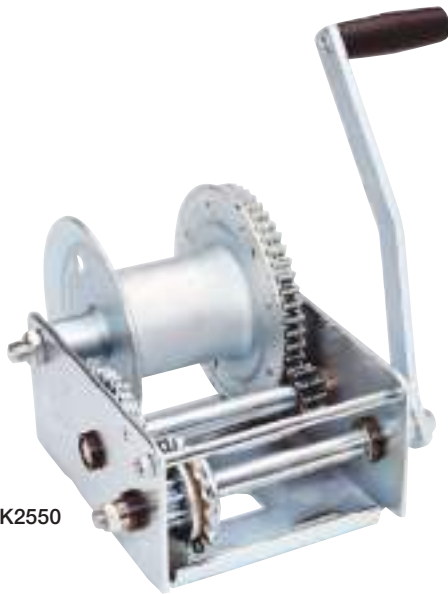
- Winch mounting hardware sold separately. Refer to instruction sheet for recommended bolt size and grade.
- Fulton brand two-speed winches are designed for boat trailer and other pulling applications, which require the freewheeling feature of ratchet type winches. If moving loads requiring vertical lifting, or positive load control in both directions, choose a Fulton brake winch.
- All Fulton brand winches are rated on the first layer of recommended rope, strap, or cable. The winch load capacity must be derated as additional layers are used. Derate the capacity 10% per additional layer of rope, strap, or cable.
- Fulton brand winches are NOT designed to be human hoists and should never be operated when there are persons on, around, or under the load being moved.

FULTON

BRAKE WINCHES

Fulton brand K-Series self-activating automatic brake winches hold the load securely when the crank handle is released. Typical applications include boat lifts, grain augers, manual fork lifts, retractable swing keels, dumpster lid lifts, and manual hoists. Drum hubs are 10 times the recommended cable size to maximize cable life. The KX series offer plated gear covers for improved gear train protection and a dual ratchet system.

CE Compliant



K2550



K650



KX1550



K1051

BRAKE WINCHES

Part No.	Max. Rated Line Pull		Max. Cable Size Data (7 x 19 Galvanized Aircraft Cable)			Mechanical Data					
	1st Layer	Full Drum	Diameter	Drum Storage	Test Strength	Gear Ratio	Handle Length	Drum Hub Dia.	Free Wheel	Cable Included	Packaging
K650 0101	600 lbs. 272 kg	200 lbs. 91 kg	1/8" (3.2 mm)	85 ft. 26 m	2,000 lbs. 907 kg	1:01	11" 27.9 cm	1-1/4" 32 mm	NO	NO	Litho Box
K650 0301	600 lbs. 272 kg	200 lbs. 91 kg	1/8" (3.2 mm)	85 ft. 26 m	2,000 lbs. 907 kg	1:01	11" 27.9 cm	1-1/4" 32 mm	NO	NO	Bulk
K1051 0101	1,000 lbs. 454 kg	500 lbs. 227 kg	7/32" (5.5 mm)	50 ft. 15 m	5,600 lbs. 2540 kg	4.1:1	11" 27.9 cm	2-1/4" 57 mm	NO	NO	Litho Box
K1051 0301	1,000 lbs. 454 kg	500 lbs. 227 kg	7/32" (5.5 mm)	50 ft. 15 m	5,600 lbs. 2540 kg	4.1:1	11" 27.9 cm	2-1/4" 57 mm	NO	NO	Bulk
KX10510101	1,000 lbs. 454 kg	500 lbs. 227 kg	7/32" (5.5 mm)	50 ft. 15 m	5,600 lbs. 2540 kg	4.1:1	11" 27.9 cm	2-1/4" 57 mm	NO	NO	Ind. Box
KX10510301	1,000 lbs. 454 kg	500 lbs. 227 kg	7/32" (5.5 mm)	50 ft. 15 m	5,600 lbs. 2540 kg	4.1:1	11" 27.9 cm	2-1/4" 57 mm	NO	NO	Bulk
K1550 0101	1,500 lbs. 680 kg	700 lbs. 318 kg	1/4" (6 mm)	70 ft. 21 m	7,000 lbs. 3175 kg	5.1:1	11" 27.9 cm	2-1/2" 63 mm	NO	NO	Litho Box
K1550 0301	1,500 lbs. 680 kg	700 lbs. 318 kg	1/4" (6 mm)	70 ft. 21 m	7,000 lbs. 3175 kg	5.1:1	11" 27.9 cm	2-1/2" 63 mm	NO	NO	Bulk
KX15500101	1,500 lbs. 680 kg	700 lbs. 318 kg	1/4" (6 mm)	70 ft. 21 m	7,000 lbs. 3175 kg	5.1:1	11" 27.9 cm	2-1/2" 63 mm	NO	NO	Ind. Box
KX15500301	1,500 lbs. 680 kg	700 lbs. 318 kg	1/4" (6 mm)	70 ft. 21 m	7,000 lbs. 3175 kg	5.1:1	11" 27.9 cm	2-1/2" 63 mm	NO	NO	Bulk
KX20000301	2,000 lbs. 900 kg		1/4" (6 mm)	75 ft. 22.5 m		4.1:1	11" 27.9 cm	2"	NO	NO	Bulk
K2550 0101	2,500 lbs. 1134 kg	1,500 lbs. 680 kg	5/16" (8 mm)	70 ft. 21 m	9,800 lbs. 4445 kg	15.8:1	11" 27.9 cm	3-1/8" 79 mm	NO	NO	Litho Box
K2550 0301	2,500 lbs. 1134 kg	1,500 lbs. 680 kg	5/16" (8 mm)	70 ft. 21 m	9,800 lbs. 4445 kg	15.8:1	11" 27.9 cm	3-1/8" 79 mm	NO	NO	Bulk

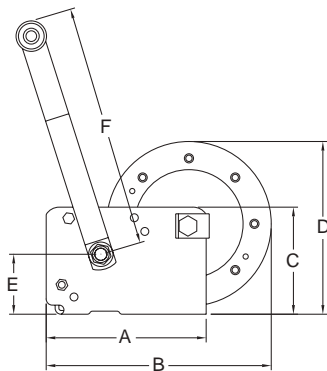
Only winches that are shown to accommodate steel cable should be used with steel cable. Cable keeper kits are included with the winches specifying steel cable. Winches rated for steel cable have a larger drum hub to reduce or lessen chance of kinking or fraying.

CE All Cequent Performance Products brake winches are **CE** compliant.

Notes:

1. Fulton brand brake winches meet ASAE S361:3 standards (with the exception of the KX2000).
2. Winch mounting hardware sold separately. Refer to instruction sheet for recommended bolt size and grade.
3. All Fulton brand winches are rated on the first layer of recommended rope, strap, or cable. The winch must be derated as additional layers are used. Derate the capacity 10% per additional layer of rope, strap, or cable.
4. Fulton brand winches are NOT designed to be human hoists and should never be operated when there are persons on, around, or under the load being moved.

DIMENSIONAL INFORMATION



Model	A	B	C	D	E	F
K650	5.50"	5.50"	4.25"	5.56"	2.94"	11.00"
K/KX1051	5.25"	7.46"	3.69"	5.89"	1.90"	11.00"
K/KX1550	6.56"	9.23"	4.39"	7.08"	2.46"	11.00"
K2550	8.63"	11.13"	5.60"	7.13"	2.08"	11.00"

Contact Cequent Representative for mounting hole information.



KR15000301



**PRO
SERIES**

BRAKE WINCHES

- Self Activating Automatic Brake
- Passes all applicable SAE and ASAE standards
- Enlarged drum size to extend cable life
- Solid Gear construction
- Covered Braking System
- **CE** Compliant

BRAKE WINCHES

Part No.	Capacity	Gear Ratio	Cable Capacity	Cable included	Packaging
KR10000301	1,000 lbs.	3.5:1	50 ft., 7/32" Dia.	NO	Boxed
KR15000301	1,500 lbs.	5.1:1	50 ft., 7/32" Dia.	NO	Boxed



KW3000



KW1500



FULTON

WORM GEAR WINCHES

Fulton brand worm gear winches feature high gear ratios for excellent load control. Worm gear design allows reel to automatically stop when handles are released. No minimum loading is required for winch operation. Drum hubs are sized to prevent cable damage and extend cable life. Oil-impregnated bushings and comfort grip handles for easy cranking. Reinforced frames keep gears aligned for improved life cycle performance.

WORM GEAR WINCHES

Part No.	Capacity	Description	Gear Ratio	Drum Cable Storage				Drum Diameter	Drive
				1/8" (3.2 mm)	3/16" (4.8 mm)	1/4" (6.5 mm)	5/16" (7.9 mm)		
KW15000103	1,500 lbs. 680 kg	Regular drum Handle drive	31:1	115' (35 m)	50' (15 m)	—	—	1.5" (38.1 mm)	8" handle (20.3cm)
KW20000103	2,000 lbs. 907 kg	Regular drum Handle drive	31:1	235' (71 m)	100' (30 m)	—	—	1.5" (38.1 mm)	8" handle (20.3cm)
KW30000103	3,000 lbs. 1,361 kg	Regular drum Driving ring and handle	31:1	—	160' (48 m)	90' (27 m)	60' (18 m)	3.125" (79.4 mm)	Drive ring 10" handle (25.4 cm)

Notes:

1. Winch mounting hardware sold separately. Refer to instruction sheet for recommended bolt size and grade.
2. All Fulton brand winches are rated on the first layer of recommended rope, strap, or cable. The winch must be derated as additional layers are used. Derate the capacity 10% per additional layer of rope, strap, or cable.
3. Fulton brand winches are NOT designed to be human hoists and should never be operated when there are persons on, around, or under the load being moved.



WS20 / WSP12



WC325



WS20HD0600

WINCH ACCESSORIES

Part No.	Description	Packaging
WS20 0200	Winch Strap and Hook - Nylon web winch strap with hook, 2" x 20', 2,600 lb. maximum working load	Bulk
WS20 0700	Winch Strap and Hook - Nylon web winch strap with hook, 2" x 20', 2,600 lb. maximum working load	Clam Shell
WS20DP0200	Winch Strap and Hook - Nylon web winch strap with hook, 2" x 20', 2,600 lb. maximum working load	Counter Display Box
WSP12 0100	Personal Watercraft Winch Strap with Hook and Loop - includes loop Nylon web winch strap with hook, 2" x 12', 1,800 lb. maximum working load	Clam Shell
WSP12 0200	Personal Watercraft Winch Strap with Hook and Loop - includes loop Nylon web winch strap with hook, 2" x 12', 1,800 lb. maximum working load	Bulk
WSP12D0200	Personal Watercraft Winch Strap with Hook and Loop - includes loop Nylon web winch strap with hook, 2" x 12', 1,800 lb. maximum working load	Counter Display Box
WS20HD0200	Heavy Duty Winch Strap and Hook - 2" x 20', 10,000 lb. minimum breaking strength, 4,000 lb. maximum working load	Bulk
WS20HD0600	Heavy Duty Winch Strap and Hook - 2" x 20', 10,000 lb. minimum breaking strength, 4,000 lb. maximum working load	Clam Shell
WC325 0100	Winch Cable and Hook - 3/16" x 25' galvanized cable, 4,200 lb. breaking strength	Clam Shell
WC750 0100	Winch Cable and Hook - 7/32" x 50' galvanized cable, 5,600 lb. breaking strength	Clam Shell

WINCH REPAIR PARTS / SERVICE KITS

Part No.	Description	Packaging
0133301S00	Service Kit, Ratchet Repair - XLT14	Bagged
0133302S00	Service Kit, Pinion Shaft - XLT14	Bagged
0133303S01	Service Kit, Pinion Shaft - T1602, T1801	Bagged
0133306S01	Service Kit, Ratchet Repair - T1100, T1300, T1500	Bagged
1514S01	Service Kit, One Way Ratchet Repair - T600, T600L, T900 - Models Pre-2007	Bagged
1558S00	Service Kit, Friction Disc - K/KX1550	Bagged
1562S00	Service Kit, Ratchet Repair, 2-Speed - T2005, T2605(B), T2625, T3205	Bagged
1563S01	Service Kit, Pinion Shaft - K/KX1550	Bagged
1565S01	Service Kit, Pinion Shaft/Gear - K2550	Bagged
1568S01	Service Kit, Inter Shaft - K2550	Bagged
1570S00	Service Kit, Friction/Brake Disc - K/KX1051	Bagged
1598S01	Service Kit, Ratchet Repair - T1602, T1801, T903Z, P1200	Bagged
1609S01	Service Kit, Input Shaft/Bearing - T2005, T2605(B), T2625, T3205	Bagged
1619-01	Service Kit, 2-Speed Brake	Bagged
2461P01	Winch Handle, 11" Offset Packaged	Carded
4197S00	Service Kit, Ratchet Repair - T2000, T2500, T3700	Bagged
4769-28	Ratchet Spring, 2-Speed	Bagged
5621P01	Service Kit, Cable Keeper - K/KX1051, K/KX1550, KX1575, K2550	Clam Shell
5868P01	Winch Handle, 6" Offset Packaged	Carded
6302P01	Winch Handle, 8" Offset Packaged	Carded
6312P01	Winch Handle, 7" Offset Packaged	Carded
6730S00	Service Kit, Ratchet Repair - K/KX1550	Bagged
6731S00	Service Kit, Ratchet Repair - K/KX1051	Bagged
6817P01	Winch Handle, 10" Offset Packaged	Carded
9235P01	Winch Handle, 10" Dogleg Packaged	Carded