



2012 Product Guide



www.bigtexttrailers.com

TOUGH AS A TEXAS LONGHORN



Big Tex offers the highest quality and most competitively priced trailers available. We take great pride in building a trailer that is tough, sturdy, and long lasting... American Made with American Pride!

- We use framing fixtures to ensure maximum symmetry and proper alignment. Variances in measurements from one side to the other will result in improper towing, uneven tire wear, short tire life and excessive heat on bearings.
- Only 100% mig welding is used for clean, splatter proof welds and a finished product that is smooth and sleek.
- Our jacks are bolted on for easy replacement and are cost effective when compared to weld-on jacks. No cutting torch or welding machine is needed to replace.
- Steel used in a Big Tex trailer is low carbon, high alloyed, high quality steel, which helps prevent trailer twist and steel fatigue.
- Safety chains are included on all trailers to serve as a secondary safeguard in case of trailer separation or mishap. For models that include brakes, we provide a break-away system with battery and automatic charger for additional safety should the trailer separate from towing vehicle.
- A Big Tex trailer is manufactured with cambered Dexter Axles, on applicable models, to ensure maximum load capacities with zero negative deflection, true tracking and maximum tire life.
- We use NEW tires only...no seconds, no blemishes, and NO used tires.
- We use specially designed light brackets, recessed or shielded for less damage and longer life. All lights are DOT-ICC approved and tested before they leave the manufacturing plant. Special care is taken with the wiring, which is routed through holes that are cleanly punched and grommetted in the cross members to prevent chaffing. Our trailers are plugged and loomed.
- Select quality wood in 2" x 6" or 2" x 8" is used for uniform shrinkage and higher density load area. When pressure treated lumber is required, only CCA type C is used. Heavy duty floor fasteners are used to keep the deck securely fastened and to allow for easy replacement if necessary.
- Our finish offers a corrosion resistant, smooth and lustrous appearance that would rival any automotive paint finish. The process involves cleaning the steel to ensure a smooth texture before the administration of a superior quality finish is applied, resulting in a professional sleek appearance.





TERMS OF SALE

All transactions between you, the customer ("Customer") and Big Tex Trailer Manufacturing, Inc. ("Big Tex") are subject to the following General Terms and Conditions and the Big Tex Limited Warranty:

1. All prices are expressed in United States dollars and do not include freight from Mt. Pleasant, Texas; Odessa, Texas; Cordele, Georgia; or Caldwell, Idaho. Prices are subject to change without notice and prices in effect at time of delivery/shipment will apply. Prices DO NOT include any applicable taxes.
2. Special quotations given on items not shown in Big Tex's catalog are valid only for the period specified in writing, or 30 days if no period is specified in writing.
3. Unless otherwise agreed to in writing by Big Tex and Customer, terms are payment on invoice and/or shipping date.
4. Invoices not paid within thirty (30) days of invoice date will bear interest at the maximum contractual rate of interest. If unpaid, amounts are turned over to an attorney or a collection agency for collection, and Customer shall pay all costs of collection, including reasonable attorneys' fees and court costs.
5. Title to items sold and risk of loss and damage shall pass to Customer upon delivery by Big Tex to common carrier or Customer, as the case may be, except that title to (but not risk of loss) shall not pass, in the case of items supplied upon credit terms, until payment in full has been received by Big Tex.
6. Customer agrees to assume all risk incident to the care, handling and use of all products purchased; and warrants, by purchase of an item, that Customer is familiar with the item and its proper use. Before using an item, the Customer shall give such item reasonable and prudent examination and/or tests to determine the suitability of item for Customer's intended use. Any item delivered to Customer shall be deemed accepted by Customer unless written notice of defect or nonconformity is received by Big Tex within thirty (30) days of date of delivery. Customer assumes all risk and liability in connection with an item from time of delivery to Customer.
7. Customer agrees to indemnify Big Tex and save and hold Big Tex harmless and free from liability against any and all claims, damages or assertion of liability of every nature whatsoever to person or property arising out of, or in connection with, the handling or use of all such products as Big Tex may cause to be delivered to Customer, including, but not limited to any and all claims based on asserted defects of material or workmanship of such products.
8. Big Tex does not warranty any product, components or parts not manufactured by Big Tex covered by a manufacturer's warranty. Big Tex does not warrant damage caused by disasters such as fire, flood, wind and lightning. Big Tex does not warrant damage during shipment. Big Tex does not warranty any other abuse or misuse by Customer. Big Tex does not warrant defects caused by failure of Customer to follow all instructions, maintenance schedules, or warnings provided with the equipment, material or supplies.
9. EXCEPT AS OTHERWISE PROVIDED IN WRITING AND SIGNED BY AN AUTHORIZED OFFICER OF BIG TEX, BIG TEX DISCLAIMS ANY AND ALL WARRANTIES, EXPRESS OR IMPLIED, INCLUDING, BUT NOT LIMITED TO THE IMPLIED WARRANTIES OR MERCHANTABILITY AND FITNESS FOR A PARTICULAR PURPOSE (See Big Tex Limited Warranty on page 11) .
10. In no case shall Big Tex be liable for any special, incidental, or consequential damages based upon breach of warranty, breach of contract, negligence, strict tort, or any other legal theory. Such excluded damages include, but are not limited to loss of profits, loss of savings or revenue, loss of use of the equipment, materials or supplies or any associated equipment, cost of capital, cost of any substitute equipment, materials or supplies, facilities or services, downtime, the claims of third parties including the Customers of Customer, and injury to property. This limitation does not apply to damages caused by breach of warranty of title. Some states/provinces do not allow limits on warranties or on remedies for breach of certain transactions. In such states/provinces, the limits in this paragraph and the paragraph immediately proceeding may not apply.
11. Any action for any breach of contract by Big Tex or any breach of warranty must be commenced within 365 days of the date the tender of delivery of the equipment, materials or supplies is made to Customer.
12. This agreement allocates the risk of product failure between Big Tex and the Customer. This allocation is recognized by both parties and is reflected in the price of the goods. The Customer acknowledges that it has read this agreement, understands it and is bound by its terms.
13. Possession of price lists, brochures, manuals or other Big Tex documents does not constitute an offer by Big Tex Trailer Manufacturing, Inc. to sell at the prices shown.



Memo to Dealers: Ordered Trailers.....	4
Memo to Dealers: Product Guide	5
Color Choices	6
To Place An Order	6
Transportation	6
Shipment Information	6
Returns.....	6
Definitions.....	7
Order Placing Information.....	8
Receipt of Trailers.....	10
Big Tex Limited Warranty.....	11
Warranty Adjustment Policies.....	12
Warranty Claim Form	13
Single Axle Trailers	
15XT - Single Axle Utility.....	17
15LT - Lil Tex Utility	18
15MM - Mini Tex Utility.....	19
15AA - Single Axle All-Around Utility	20
19SL - Super Lil Tex Utility	21
19SV - Single Axle Vanguard.....	22
29SA - Single Axle Utility.....	23
30SA/35SA - Single Axle Utility.....	24
35SA-RS/RSX - Single Axle Utility.....	25
30AA/35AA - Single Axle All-Around	26
30SV/35SV - Single Axle Vanguard	27
30LS/35LS - Single Axle Landscape.....	28
35MC-10 - Single Axle Motorcycle.....	29
Tandem Axle Trailers	
45SS - Tandem Axle Utility.....	33
45LA - Tandem Axle Utility	34
50LA - Tandem Axle Utility	35
60CH - Tandem Axle Car Hauler Special.....	36
60SP - Tandem Axle Pipe Special	37
70PI-X - Tandem Axle Pipe Utility	38
70CH - Tandem Axle Car Hauler.....	39
70DM - Tandem Axle Diamond Back Car Hauler.....	40
70TV - Tandem Axle Vanguard	41
70LR - Tandem Axle Landscape Trailer.....	42

o n t e n t s

Equipment Trailers

10PI - Tandem Axle Pipe Utility	45
10CC - Tandem Axle Equipment.....	46
10ET - Pro Series Tandem Axle Equipment.....	47
10OA - Tandem Axle Over The Axle	48
10FT - Pro Series Tilt Bed Equipment	49
10TL - Pro Series Tilt Bed Equipment.....	50
12PI - Heavy Duty Pipe Tandem Axle	51
12ET - Pro Series Tandem Axle Equipment.....	52
12OA - Tandem Axle Over The Axle	53
12FT - Pro Series Tilt Bed Equipment	54
12TL - Pro Series Tilt Bed Equipment.....	55
12PT - Tandem Axle Pipe Transport	56
12GP - Heavy Duty Pipe Gooseneck.....	57
14FT - Pro Series Full Tilt Bed Equipment.....	58
14TL - Pro Series Tilt Bed Equipment.....	59
14PI - Heavy Duty Pipe Tandem Axle	60
14CC - Tandem Axle Equipment.....	61
14ET - Tandem Axle Equipment	62
14GP - Heavy Duty Pipe Gooseneck.....	63

Gooseneck/Pintle Trailers

14GN - Tandem Axle Gooseneck.....	67
20GN - Tandem Axle Gooseneck.....	68
22GN/22PH - Tandem Dual Axle Gooseneck	69
25GN - Heavy Duty Tandem Dual Axle Gooseneck.....	70
3XGN - Super Duty Tandem Dual Axle Gooseneck.....	71

Dump Trailers

70SR - Tandem Axle Single Ram Dump	75
10SR - Tandem Axle Single Ram Dump	76
10LX - Tandem Axle Low Profile Extra Wide Dump.....	77
12LX - Tandem Axle Low Profile Extra Wide Dump.....	78
14LX - Tandem Axle Low Profile Extra Wide Dump.....	79
14GX - Tandem Axle Gooseneck Low Profile Extra Wide Dump.....	80
14OD/14OD-GN - Tandem Over The Axle Dump	81
21GX - Triple Axle Low Profile Extra Wide Dump.....	82
25DU - Tandem Dual Gooseneck Dump.....	83

Heavy Equipment

20ED/20AD - Pintle Equipment Transport	87
24ED/24AD - Pintle Equipment Transport	88
4XPH - Pintle Heavy Equipment Transport.....	89
5XGL - Lowboy Heavy Equipment Transport.....	90
5XPH - Pintle Heavy Equipment Transport.....	91

Auto Transport

20AC - Tandem Dual Gooseneck Auto/Combo Transport	95
---	----

Wiring Diagram.....	97
---------------------	----



TO: Big Tex Dealers
FROM: August 1, 2012
RE: Ordered Trailers

BIG TEX REQUIRES ALL TRAILERS ORDERED TO BE INVOICED AND SHIPPED WITHIN FIFTEEN (15) DAYS OF THE COMPLETION OF TRAILERS.

All trailers that are not picked up or shipped will be transferred to a special “Dealer Inventory Pool” which will be available to other dealers to complete loads and to satisfy their customer needs.

This policy will keep inventory fresh by turning trailers at a faster pace and ensuring that our dealers receive inventory in the best possible condition.

If you have any questions, please call your Regional Sales Manager.

950 I-30 East ■ Mt. Pleasant, TX 75455 ■ Phone (903) 575-0300 ■ Fax (800) 577-8858



2012 Copyright by Big Tex Trailer Manufacturing, Inc.



TO: Big Tex Dealers

FROM: August 1, 2012

RE: Product Guide

This updated Product Guide contains information concerning technical descriptions of components, features, and options available for each particular trailer.

We hope you find this information helpful to you in your sales. To ensure better communication, we ask that you carefully read the Warranty Information, Terms of Sale, Definitions and Order Placing Information.

This Product Guide is property of Big Tex Trailer Manufacturing, Inc. The information contained herein is confidential and is to be used by Big Tex Trailer employees and authorized dealers only. The information and specifications contained in this manual are subject to change without notice.

Upon acceptance of this guide, the dealer agrees to and acknowledges the above statements and agrees to return the Big Tex Product Price Guide if requested to do so by Big Tex Trailer Manufacturing, Inc., or if the dealer should cease to be an authorized Big Tex Dealer for any reason.

950 I-30 East ■ Mt. Pleasant, TX 75455 ■ Phone (903) 575-0300 ■ Fax (800) 577-8858





COLOR CHOICES

STANDARD COLORS - No Additional Charge

Flame Red
Black
Storm Gray Pearl Metallic
Indigo Blue Metallic
Amazon Green Pearl
Arizona Beige Metallic
Linen White

OPTIONAL COLORS (Additional Charge)

Dark Red
Silver Metallic
John Deere Green
Medium Yellow
Safety Yellow
Kubota Orange

SPECIALTY COLORS & CAMOUFLAGE - (Special Quote Only - Additional Charge)

PIN STRIPING - Done to Manufacturer's Discretion

TO PLACE AN ORDER

BIG TEX TRAILER MANUFACTURING, INC.

950 I-30 East
Mt. Pleasant, Texas 75455
Phone: (903) 575-0300
Fax: (800) 577-8858
www.bigtextrailers.com

TRANSPORTATION

If you receive any damaged trailers that might be a result of transporting, please report them within the first 72 hours. Damage **MUST BE** noted at time of delivery on Bill of Lading.

RETURNS

All returns are subject to a 10% restocking fee and return freight charge. Call Regional Sales Manager for authorization.





DEFINITIONS

PRODUCTION vs. CUSTOM vs. SPECIALTY

Production Trailer:

Any and all trailers that are produced in multiples and run through an assembly line process that allows for equal time process in each station.

- Average lead time - 2 to 3 weeks
- Quoting - Should be in separate price list
- Example - 70PI-16 (most options applicable)

Custom Trailer:

A production trailer (or any trailer of basic design) that has minor modifications and/or options that prohibit it from flowing through an assembly line process with like models.

- 25% deposit
- Average lead time - 3 to 4 weeks
- Quoting - Same day
- Example - 70PI-16 with 2' high sides, enclosed with expanded metal

Specialty Trailer:

A trailer, the design of which does not allow for assembly line production. Therefore, the trailer must be built in one station by specialty builders.

- 25% deposit
- Quoting - 24 hours in most cases
- Average lead time - 5 to 7 weeks
- Complexity of design
- Availability of materials
- Design and engineering time
- Demand for type too low to justify assembly line production
- Example - Base frame 70PI-16
 - 16' long
 - 5' split rampgate
 - 4' high sides enclosed with expanded metal and tool boxes





ORDER PLACING INFORMATION

Special Notice Regarding Large or Wide Trailers

Some trailers are equipped with 102" wide axles, which are not legal on all roads and highways. Some states do not allow 102" wide axles at all off the Interstate Highway system. Big Tex assumes no responsibility for trailers that are specified with the wrong axles. Dealers should check laws in their local trade area and should make retail customers aware of these laws when ordering 102" wide trailers.

By law, trailers with a GVWR exceeding 10,000 pounds and axles 80" wide must have conspicuity tape. The tape price is included on trailers that have a GVWR exceeding 10,000 pounds.

Obtaining Quotes on Custom Trailers or Features

It is very important to be specific and accurate in completing the Quote Request to ensure that you receive what you order. It is very important to submit accurate measurements and descriptions of custom features to be quoted.

Big Tex Trailer Manufacturing, Inc. will not assume responsibility for construction of custom trailers or features added to standard models, unless the customer provides a detailed drawing of the feature design and location when the order is placed. Big Tex offers engineering and drafting services at reasonable prices to dealers who do not have in-house facilities.

A 25% deposit is required with all custom and speciality trailer orders.

1. List the standard trailer model and any factory options that you need as they are shown on the respective order form.
2. Draw a clear diagram of any custom features you want to add to any of our standard model trailers. Be sure to include all applicable dimensions, as well as a clear description of where you want the custom option(s) or modifications installed on the trailer.
3. Plainly and prominently mark your specifications as "QUOTE REQUEST."
4. Fax the "QUOTE REQUEST" to our Regional Sales Division at (800) 577-8858.
5. The Regional Sales Manager will forward the quote specifications to Engineering and Manufacturing for review. Big Tex reserves the right to refuse any quote request that Big Tex feels will not perform in a satisfactory manner if constructed per specifications, or that Big Tex feels is unsafe, or that Big Tex feels they cannot satisfactorily manufacture.
6. If approved by Engineering and Manufacturing, our Regional Sales Manager will compute a quote based on your written specifications. The Regional Sales Manager will FAX your completed quote request back to you as soon as it is complete. Special quotes are valid only for the period specified in writing, or 30 days if no period is specified in writing.

Materials, Components, Tires and Rims

Big Tex trailers are manufactured using all new components, including parts, materials and tires. Specifications are shown in "Standard Features" boxes describe each trailer's normal manufacturing specifications. However, Big Tex reserves the right to substitute brands or models of materials and components of equal or greater value and capacity in the event that standard items are not available. Big Tex reserves the right to change or alter vendor purchased materials, component parts, and accessories as it deems necessary.

All trailers must be ordered with tires and rims. Tires and rims may be substituted, but not deleted.





ORDER PLACING INFORMATION - Continued -

Placing Dealer Orders

1. Call your Regional Sales Manager or request a Fax Order Form that can be reproduced and faxed to the Regional Sales Division at (800) 577-8858.
2. See "Obtaining Quotes on Custom Trailers or Features" if the trailer contains custom features. Orders for custom trailers or trailers containing custom features cannot be canceled after the order is sent to manufacturing for completion. The dealer must accept delivery of the completed custom trailer or trailer with custom features.
3. A 25% deposit is required with all trailers containing custom features.

Changing Orders After Submission

Once an order is accepted by the factory, the specifications are sent to the manufacturing division to be assigned a target production date. **We cannot guarantee that changes can be accepted to orders later than (3) days after the order is received in our office.** Depending on which procedure the trailer is in, we may be unable to make any changes whatsoever. Once the order is actually delivered to the plant for production, no changes can be made.

Picking Up or Shipping Your Order

When prices are quoted, they do not include any applicable taxes or transportation charges. Freight arrangements should be made when placing order. When taking delivery of trailers at the factory, be sure your tow vehicle is properly equipped for a load of this size and weight.

Trailers are manufactured in the sequence that orders are received. **Trailers must be removed from the Big Tex plant within 10 days from the date that the dealer is notified the order is ready.** Refusal to accept delivery within 10 days from completion may result in a 50% deposit being required on future orders. All trailers remaining more than 10 days after notification are subject to sale to another party and any deposits are considered forfeited.

Possession of price lists, product guide, order forms, or other Big Tex documents does not constitute an offer by Big Tex Trailer Manufacturing, Inc. to sell at prices shown.

All specifications are subject to change
without notice.





RECEIPT OF TRAILERS

If you receive any damaged trailers that might be a result of transporting, damage MUST BE noted at time of delivery on Bill of Lading. Please make certain that all items noted below are completed in full.

Must be filled out completely and include counts of all tires and lugnuts...




Load must be inspected and accepted with signature here...



Damages must be described here...





Big Tex Trailer Mfg., Inc.
12400 W. I-20 E.
Odessa, Texas 79765

850 I-30 East
Mt. Pleasant, Texas 75455

Bill of Lading
48015

Shipment Sheet
OFFICE USE ONLY

PAPERWORK

By _____ Customer _____
Date _____ Address _____
Insp. By _____ City _____ St. _____
Phone _____

Invoice / Serial # _____

DESTINATION

1. Trailers on load # _____
2. All trailers inspected _____
3. Stacked, blocked, padded prop. _____
4. Securely and properly tied down _____
5. Ramps / spurs and accessories _____
6. Aides / lights / tires for all trl _____
7. Tires / wheels on load # _____
8. Lug nuts # _____
9. Safety chains # _____
10. Parts loaded Yes _____ No _____

Loader	Driver	Dealer
City _____	City _____	City _____
City _____	City _____	City _____

Carrier _____ Loaded By _____ Date _____
 Float # _____ Load Insp. By _____ Date _____
 Driver _____ Print Name _____ Driver _____ Signature _____ Date _____

IMPORTANT NOTICE!!

*** ANY SHORTAGES NOT LISTED BELOW WILL NOT BE CREDITED ***

The shipper is not responsible for any damage, whether obvious or hidden. If damage has occurred, you must report it to the carrier and note it on the delivery receipt. NO INVOICE DEDUCTIONS ARE ALLOWED!

Inspected & Accepted By _____ / _____ Date _____
Print Name Signature

DELIVERY / PICKUP INSTRUCTIONS

Driver Pickup Check _____ Ck # _____ Amount _____
 Mileage _____ Special Instructions: _____

COMMENTS / DAMAGES / SHORTAGES

OFFICE COPY





The DEALER is responsible for registering the customer's warranty online at www.bigtextrailers.com.

BIG TEX LIMITED WARRANTY

Your Big Tex trailer is warranted to the original purchaser to be free from defects in material and workmanship for a period of one (1) year, except as herein limited, from the date of retail purchase. The obligations of Big Tex Trailer Manufacturing, Inc. (the Company) under this limited warranty shall be limited to repairing or replacing any part or parts which, in the opinion of the Company, shall be proved defective in materials or workmanship under normal use and service during the one-year-period commencing with the date of purchase. Electrical wiring, paint, couplers, jacks, bearings, and wood flooring are warranted to be free from defects in material and workmanship for a period of ninety (90) days from the date of retail purchase. This Warranty does not cover any part or parts which have been damaged as a result of an accident, misuse, abuse, or which have been modified, altered or repaired by other than Big Tex Trailer Manufacturing, Inc. This warranty shall not apply if the trailer has been subjected to loads in excess of its rated capacity. The remedies described herein are the sole remedies.

EXCLUSIONS AND LIMITATIONS

EXCLUSIONS

This Warranty shall not extend to:

1. Any trailer or component for which the online warranty registration was not completed at www.bigtextrailers.com.
2. Equipment which has been modified, repaired, or altered in any way without the express written consent of Big Tex Trailer Manufacturing, Inc.
3. Unreasonable use (including failure to provide reasonable and necessary maintenance).
4. Tires, axles, axle assemblies, suspension components, or any other equipment which is warranted separately by the respective manufacturers of said components.
5. Parts not supplied by Big Tex Trailer Manufacturing, Inc.
6. Parts which require replacement in the ordinary course of use due to normal wear.
7. Any trailer after 90 days from the date of purchase if the trailer is utilized as a rental unit or as part of a rental combination with rental equipment.
8. Damage to paint resulting from deterioration due to use or exposure, such as chipping, scratching or damage due to road salt, tar or pressure washing.

WHAT YOU MUST DO:

In order to make a claim under these warranties:

1. You must be the original purchaser of the trailer.
2. You must properly notify Big Tex Trailer Manufacturing, Inc. within the warranty period of any defect and provide Big Tex Trailer Manufacturing, Inc. with any substantiation that Big Tex Trailer Manufacturing, Inc. may reasonably request.
3. The trailer must have been used and maintained in accordance with good industry practice and the recommendations of Big Tex Trailer Manufacturing, Inc. included in your Owner's Safety and Tire Manual.

LIMITATIONS AND EXCLUSIONS:

1. Warranties are non-transferable.
2. **THE FOREGOING WARRANTIES ARE EXCLUSIVE AND THE REMEDIES PROVIDED THEREIN ARE THE SOLE AND ONLY REMEDIES.**
3. **THERE ARE NO WARRANTIES, EITHER EXPRESS OR IMPLIED (INCLUDING THE IMPLIED WARRANTIES OF MERCHANTABILITY AND FITNESS FOR A PARTICULAR PURPOSE) WHICH EXTEND BEYOND THE DESCRIPTION ON THE FACE HEREOF.**
4. **EXCEPT AS MAY BE PROHIBITED BY LAW, BIG TEX TRAILER MANUFACTURING, INC. SHALL NOT BE LIABLE FOR INCIDENTAL OR CONSEQUENTIAL DAMAGES OF ANY KIND OR DESCRIPTION INCLUDING BUT NOT LIMITED TO LOSS OF TIME, PROFIT, INCONVENIENCE, LOSS OF USE, TOWING FEES, TELEPHONE CALLS OR COST OF MEALS OR LODGING.**

The limited warranty provided above, subject to the described limitations and exclusions, give you specific legal rights, and you may also have other rights which vary from state to state/province to province.

Inquiries regarding the above warranty should be sent to:

Big Tex Trailer Manufacturing, Inc./ 950 I-30 East / Mt. Pleasant, Texas 75455 / www.bigtextrailers.com

ATTENTION

KNOW YOUR STATE/PROVINCIAL LAWS. State/Provincial laws vary from state to state/province to province. Big Tex Trailer Manufacturing, Inc. assumes no responsibility for any trailer not meeting state/provincial specifications.

Proper and regular maintenance of your Big Tex trailer will help ensure longer use of your trailer. To help you with this, we suggest the following:

1. Correct ball size for trailer hitch.
2. All fasteners, including lug nuts and axle fasteners should be torqued regularly.
3. Proper tire pressure.
4. Wheel bearings, brakes (if equipped), checked and adjusted regularly. Brake-away battery must be fully charged.
5. Check all electrical connections and lights.
6. Maintain fluid levels.
7. Load evenly distributed.
8. Your trailer should be inspected and serviced regularly.





Warranty Adjustment Policies

It is imperative that the online warranty registration is completed at the time of sale to the customer to ensure they get the most prompt warranty service.

Big Tex has developed the following policies to provide dealers with the most satisfactory and expedient procedure to handle warranty adjustments. It is important that your personnel be familiar with these policies so your claims are handled effectively.

Big Tex's policy states that a warranty registration must be accurately completed online at www.bigtextrailers.com or no warranty repairs will be made to customers' trailers.

I. REQUEST FOR ADJUSTMENT

- A. CONTROL OF WARRANTIES: Owner goodwill is of utmost importance to Big Tex. When trailer owners become dissatisfied with their units or the resolution of problems, considerable goodwill is lost. Each individual case is carefully investigated and handled as promptly and justly as possible.
- B. WARRANTY CLAIMS: A warranty claim form must be completed and submitted to the Big Tex Warranty Department. All warranty claims must be received at our factory within 30 days after work is completed. Claims received after this length of time will be returned to the sender. All labor on the claim must be broken down into hours and the hourly rate must appear on the claim.
- C. NECESSARY INFORMATION: The following information should appear on each claim, and any missing information delays processing.
 - 1. Trailer Service Location - Name, Address, and Phone Number.
 - 2. Owner - Name, Address and Phone number.
 - 3. Return Good (RG) number if returning defective parts or trailer. An RG number must be obtained from Big Tex Warranty Department.
 - 4. Trailer Data:
 - a. Type or Model
 - b. Length
 - c. Year Manufactured
 - d. Date of Purchase
 - e. Serial Number
 - 5. Axle Date (if claim is regarding axle or parts)
 - a. Capacity
 - b. Serial Number

II. DEFECTIVE MATERIAL

- A. All components or assemblies replaced under warranty must be returned along with your claims; or pictures submitted if being repaired.
- B. All parts and material must be shipped freight prepaid to Big Tex. Material returned that is not defective will be held for 30 days awaiting disposition. If the dealer or customer does not indicate disposition within 30 days, the material will be scrapped.
- C. All returned parts must have Big Tex's return authorization number clearly marked in a weatherproof manner on the outside of the package.

III. WARRANTY LABOR RATE

- A. Big Tex will pay the dealer's hourly shop rate on all warranty work up to a maximum of the average area charge.

IV. ACCOUNTING PROCEDURE

- A. Submitting a warranty adjustment request does not constitute an invoice and should not be posted on your records as an invoice. It merely serves notice of an anticipated adjustment which, if granted, will result in a credit or check being issued to you.
 - 1. The favorable disposition of your claim will result in a credit being issued to you within 7 days of receipt of your claim.
 - 2. Deductions from your invoice for warranty claims before the notification will result in a bill back to your account.
 - 3. If your claim is denied, a written explanation from Big Tex will be sent to you within 30 days of receipt of your claim.

V. WARRANTY CLAIM COMMUNICATIONS

- A. All correspondence relating to your claim must have your original authorization number referenced on it (last 5 digits of serial number).
- B. All questions regarding your claim should be directed to Big Tex Warranty Department.
- C. Big Tex Warranty Department telephone number is (903) 575-0300, ext. 2121/ fax number is (903) 575-5218.
- D. To help expedite your claims in the most efficient manner and to control delays, a Big Tex Warranty Claim form is attached. Whenever possible, please submit this form for any warranty claim. (Please make copies of the attached form.)

VI. DEALER PREP

- A. On occasion, dealers may have minor damages such as broken lenses, light fixtures, break-away switches or small items such as dust caps or lynch pins that are missing. In those instances, Transportation will assume the dealers have replacements in stock and will replenish the parts used. Parts will either be shipped on next load or direct to dealer.
- B. During transport, minor paint damage is to be expected simply due to the manner in which the trailers are shipped. This falls under "dealer prep".

Very Truly Yours,

Ricky Baker
President





WARRANTY REQUEST FORM

DATE: _____ CONTACT DATE: _____
 PREPARED BY: _____ REPAIR DATE: _____

Please fill out all applicable information on appropriate line.

DEALER		CUSTOMER	
Contact: _____		Contact: _____	
Address: _____		Address: _____	
City/State: _____	Zip: _____	City/State: _____	Zip: _____
Phone: _____	Fax: _____	Phone: _____	Fax: _____

REPAIR SHOP

Contact: _____ Repair Estimate: _____ By: _____
 Address: _____ Parts Estimate: _____
 City/State: _____ Zip: _____ Labor: _____ Hours @ \$ _____ /HR = \$ _____
 Phone: _____ Fax: _____ Phone: _____ Fax: _____

TRAILER INFORMATION

Description: _____ Purchase Date: _____
 Model: _____ Serial#: _____
 Mfg. Date: _____ Size: _____ Length: _____ Width: _____

DETAILED DESCRIPTION OF CLAIM (Including what happened, if known): _____ Incident Date: _____

COURSE OF ACTION

PARTS REQUIRED FROM MANUFACTURER Date Requested: _____ Date Shipped: _____ Via: _____

VENDOR PARTS WARRANTY Description of Part(s): _____

 Vendor: _____ Contact: _____ Date: _____ Approval/Denial _____
 Date Part Returned to Manufacturer: _____ Date Part Returned to Vendor: _____ Date of Vendor Response: _____

NOTE: Any warranty which requires replacement of parts will require an issued RG# in order for the old parts to be returned. Once the returned goods are received, the claim will be finalized. ANY WARRANTY WHICH INVOLVES RUNNING GEAR MUST INCLUDE AXLE SERIAL NUMBER BEFORE IT CAN BE PROCESSED.

OFFICIAL USE BY MANUFACTURER ONLY:

Comments/Attachments: _____
 Approved By: _____ Date: _____
 Declined By: _____ Date: _____ Reason: _____

TOTAL WARRANTY CLAIM	\$ _____	Total Applied to Warranty Account:	\$ _____
Account To Credit:	_____	Labor Amount:	\$ _____
Remit Payment To:	_____	Parts Amount:	\$ _____
		Date Determination Faxed To Claimant:	_____
		Date Payment Mailed/Applied:	_____

WARRANTY DEPARTMENT, 950 I-30 East, Mt. Pleasant, TX 75455

Phone: (903) 575-0300, ext. 2121 Fax: (903) 575-5218

warranty@bigtextrailers.com





Single Axle



www.bigtextrailers.com

TOUGH AS A TEXAS LONGHORN

**SINGLE
AHLE**

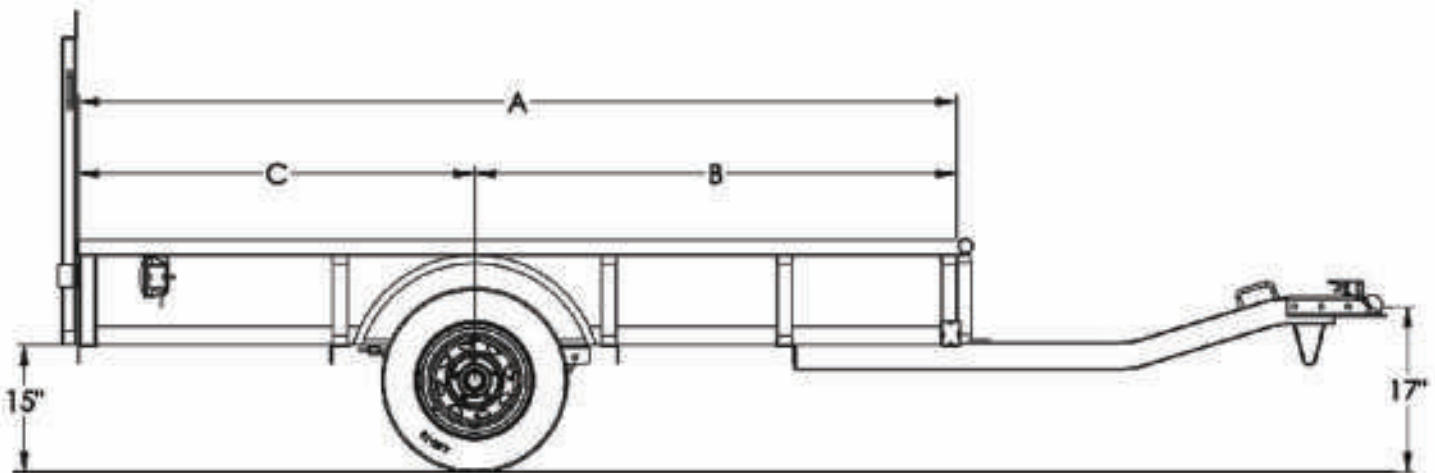
15XT Single Axle Utility

G.V.W.R.	1,500#	AXLE	2,000# EZ Lube
G.A.W.R.	1,500#	SUSPENSION	Multi-Leaf Slipper Spring
COUPLER	2"	TIRE	4.80-12" Load Range C
SAFETY CHAINS	1/4" Grd. 30 w/Safety Latch Hook (2 each)	WHEEL	12 x 4 White Spoke 5 Bolt
JACK	None	FLOOR	1-1/2 x #9 Expanded Metal
TONGUE	Single 2" x 3" Tubing	LIGHTS	D.O.T. Stop, Tail, Turn & Clearance
TOP RAIL	1-5/8" OD Pipe	ELEC. PLUG	4-Way Flat w/Loom
FRAME	2" x 2" x 1/8" Angle	FINISH (Prep)	Steel is Cleaned to Ensure a Professional Smooth Finish.
CROSSMEMBERS	2" x 2" x 1/8" Angle	FINISH	Superior Quality Finish is Applied for a Highly Decorative and Protective Finish.
UPRIGHTS	10" Tall Formed Pipe		
FENDERS	7" x 28" Rolled Formed w/Back		

Standard Features

- Safety Chains Attached w/Cold Rolled Eyelets
- Tubular Raised Tongue
- Lower Tongue Support & Handle
- Expanded Metal Floor
- 4 Tie Downs
- 1-1/2" Tubular Rampgate w/Expanded Metal
- EZ Lube Axle

DIMENSIONS			
LENGTH	A	B	C
6'	72"	47"	25"
8'	97-1/2"	53-1/2"	44"
10'	121-1/2"	49-1/2"	72"



MODEL#	WEIGHT	DESCRIPTION
15XT-06	330#	50" x 6' Single Axle
15XT-08	380#	60" x 8' Single Axle
15XT-10	430#	60" x 10' Single Axle

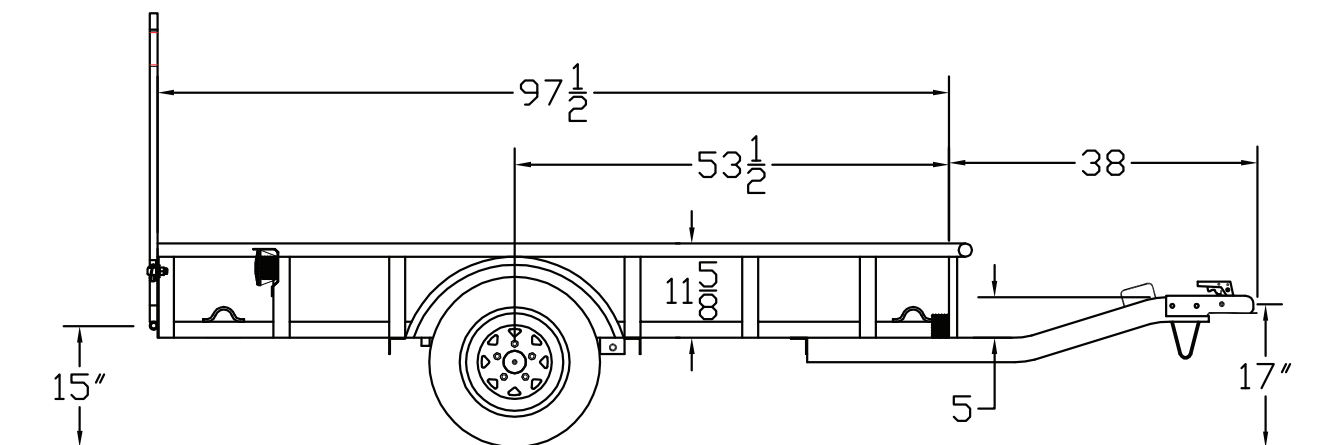
15LT *Lil Tex Utility*

G.V.W.R.	1,500#	AXLE	2,000# EZ Lube
G.A.W.R.	1,500#	SUSPENSION	Multi-Leaf Slipper Spring
COUPLER	2"	TIRE	4.80-12" Load Range C
SAFETY CHAINS	1/4" Grd. 30 w/Safety Latch Hook (2 each)	WHEEL	12 x 4 White Spoke 5 Bolt
JACK	None	FLOOR	2" Pine
TONGUE	Single 2" x 3" Tubing	LIGHTS	D.O.T. Stop, Tail, Turn & Clearance
TOP RAIL	1-5/8" OD Pipe	ELEC. PLUG	4-Way Flat w/Loom
FRAME	2" x 2" x 1/8" Angle	FINISH (Prep)	Steel is Cleaned to Ensure a Professional Smooth Finish.
CROSSMEMBERS	2" x 2" x 1/8" Angle	FINISH	Superior Quality Finish is Applied for a Highly Decorative and Protective Finish.
UPRIGHTS	10" Tall 2" x 1" Formed Pipe		
FENDERS	7" x 28" Rolled Formed w/Back		

Standard Features

- Safety Chains Attached w/Cold Rolled Eyelets
- Lower Tongue Support & Handle
- 4 Tie Downs
- Tubular Raised Tongue
- Floor Secured w/Torx Screws
- EZ Lube Axle

Shown with Optional Rampgate



MODEL#	WEIGHT	DESCRIPTION
15LT-08	400#	50" x 8' Single Axle

OPTIONS

3' Rampgate w/Expanded Metal

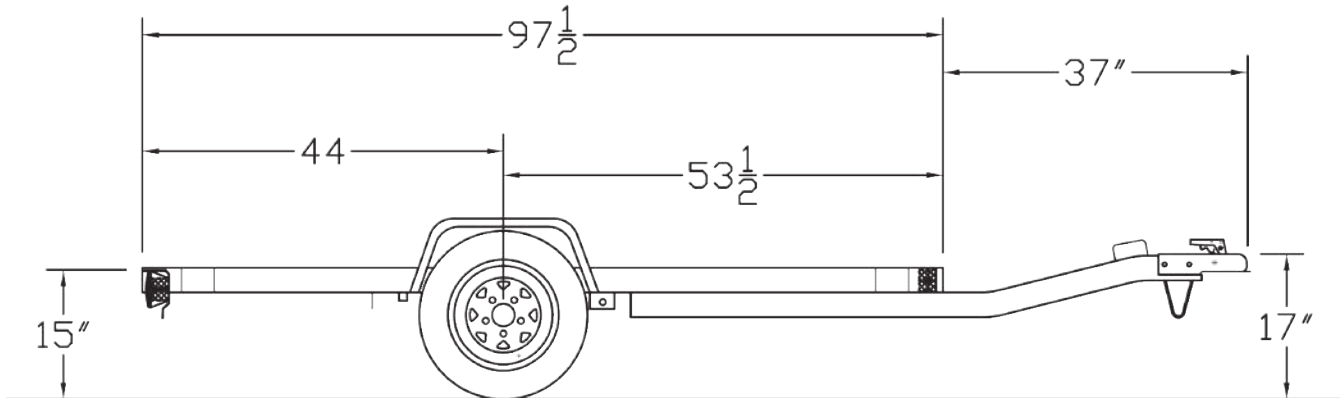
STANDARD MODEL - NO OTHER OPTIONS AVAILABLE

15MM Mini Tex Utility

G.V.W.R.	1,500#	AXLE	2,000# EZ Lube
G.A.W.R.	1,500#	SUSPENSION	Multi-Leaf Slipper Spring
COUPLER	2"	TIRE	4.80-12" Load Range C
SAFETY CHAINS	1/4" Grd. 30 w/Safety Latch Hook (2 each)	WHEEL	12 x 4 White Spoke 5 Bolt
JACK	None	FLOOR	2" Pine
TONGUE	Single 2" x 3" Tubing	LIGHTS	D.O.T. Stop, Tail, Turn & Clearance
TOP RAIL	None	ELEC. PLUG	4-Way Flat w/Loom
FRAME	3" Channel	FINISH (Prep)	Steel is Cleaned to Ensure a Professional Smooth Finish.
CROSSMEMBERS	2" x 2" x 1/8" Angle	FINISH	Superior Quality Finish is Applied for a Highly Decorative and Protective Finish.
FENDERS	8" x 23" Square Type w/Backs		
SIDES	None		

Standard Features

- Safety Chains Attached w/Cold Rolled Eyelets
- Lower Tongue Support & Handle
- Car Hauler Style w/6 Stake Pockets
- Tubular Raised Tongue
- Floor Secured w /Torx Screws
- EZ Lube Axle



MODEL#	WEIGHT	DESCRIPTION
15MM-08	410#	50" x 8' Flat Bed, No Sides

OPTIONS

3' Rampgate w/Expanded Metal

STANDARD MODEL - NO OTHER OPTIONS AVAILABLE

15AA

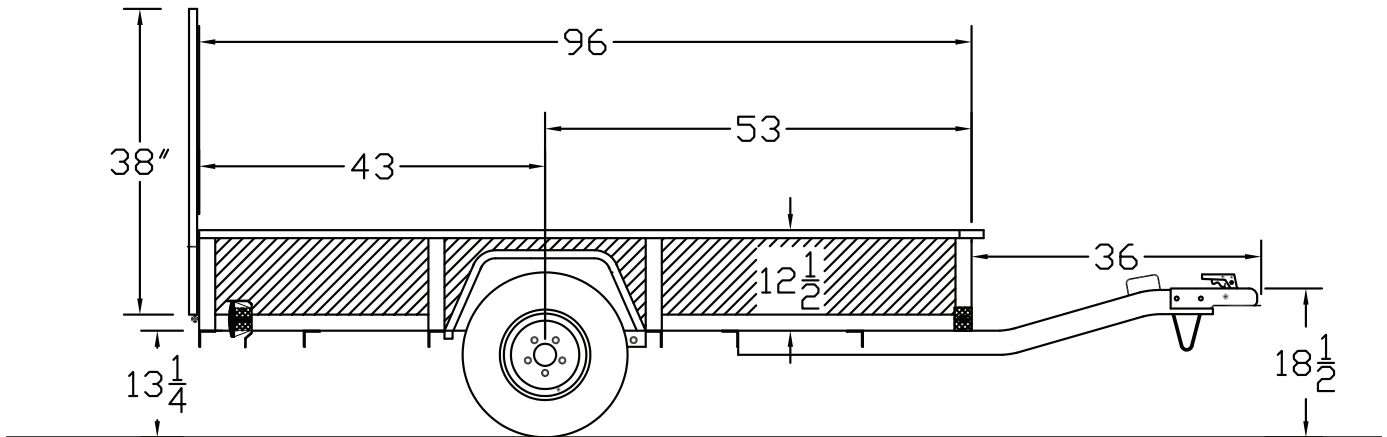
Single Axle All-Around Utility

G.V.W.R.	1,500#	AXLE	2,000# EZ Lube
G.A.W.R.	1,500#	SUSPENSION	Multi-Leaf Slipper Spring
COUPLER	2"	TIRE	20.5 x 8.0-10 Load Range C
SAFETY CHAINS	1/4" Grd. 30 w/Safety Latch Hook (2 each)	WHEEL	10 x 6 - 5 Bolt
JACK	None	FLOOR	Expanded Metal
TONGUE	Single 3" x 2" Tubing (Cold Formed)	LIGHTS	D.O.T. Stop, Tail, Turn & Clearance
FRAME	2" x 2" x 1/8" Angle	FINISH (Prep)	Steel is Cleaned to Ensure a Professional Smooth Finish.
CROSSMEMBERS	2" x 2" x 1/8" Angle	FINISH	Superior Quality Finish is Applied for a Highly Decorative and Protective Finish.
FENDERS	9" x 26" Jeep Style		
SIDES	14 Gauge Fabricated Smooth		
UPRIGHTS	11" Tall, 2" x 1" Tubing		

Standard Features

- Safety Chains Attached w/Cold Rolled Eyelets
- Cold Formed Tubular Raised Tongue
- Lower Tongue Support & Handle
- 12-1/2" Solid Fabricated Sides
- Expanded Metal Floor for Easy Cleaning
- 4 Tie Down Loops Inside
- EZ Lube Axle

Shown with Optional Rampgate



MODEL#	WEIGHT	DESCRIPTION
15AA-08	420#	50" x 8' Single Axle All-Around

OPTIONS

3' Rampgate w/Expanded Metal

STANDARD MODEL - NO OTHER OPTIONS AVAILABLE

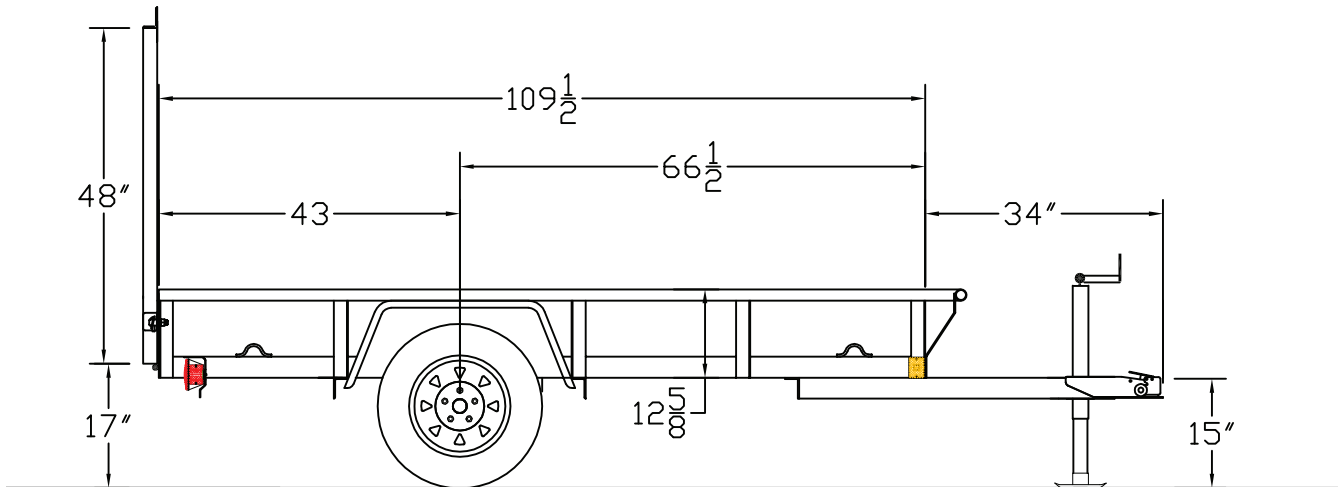
19SL Super Lil Tex Utility

G.V.W.R.	1,995#	AXLE	2,000# EZ Lube
G.A.W.R.	1,995#	SUSPENSION	Multi-Leaf Spring
COUPLER	2" A-Frame	TIRE	ST175/80-13" Load Range C
SAFETY CHAINS	1/4" Grd. 30 w/Safety Latch Hook (2 each)	WHEEL	13 x 4.5 White Spoke 5 Bolt
JACK	2K Top Wind (Bolted On)	FLOOR	2" Pine
TONGUE	3" Channel	LIGHTS	D.O.T. Stop, Tail, Turn & Clearance
TOP RAIL	1-5/8" Pipe	ELEC. PLUG	4-Way Flat w/Loom
FRAME	3" x 2" x 3/16" Angle	FINISH (Prep)	Steel is Cleaned to Ensure a Professional Smooth Finish.
CROSSMEMBERS	3" x 2" x 3/16" Angle	FINISH	Superior Quality Finish is Applied for a Highly Decorative and Protective Finish.
UPRIGHTS	11" Tall Angle, 2" x 2" x 1/8" Angle		
FENDERS	9" x 32" Square w/Backs		

Standard Features

- Safety Chains Attached w/Cold Rolled Eyelets
- Sand Foot on Jack
- Lower Jack Support Plate
- Floor Secured w/Torx Screws
- Flared Top Rail in Front for Extra Space
- 4 Tie Downs
- EZ Lube Axle

Shown with Optional Rampgate



MODEL#	WEIGHT	DESCRIPTION
19SL-09	630#	54" x 9' Single Axle Trailer

OPTIONS

4' Rampgate w/Expanded Metal

STANDARD MODEL - NO OTHER OPTIONS AVAILABLE

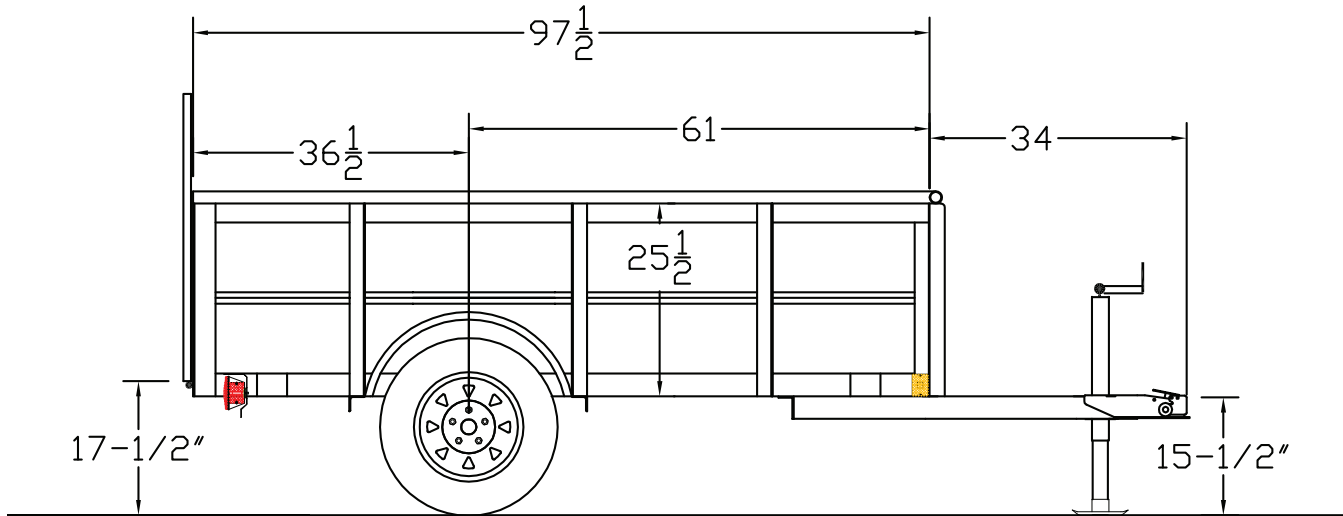
19SV Single Axle Vanguard

G.V.W.R.	1,995#	AXLE	2,000# EZ Lube
G.A.W.R.	1,995#	SUSPENSION	Multi-Leaf Spring
COUPLER	2" A-Frame	TIRE	ST175/80-13" Load Range C
SAFETY CHAINS	1/4" Grd. 30 w/Safety Latch Hook (2 each)	WHEEL	13 x 4.5 White Spoke 5 Bolt
JACK	2K Top Wind (Bolted On)	FLOOR	2" Pine
TONGUE	3" Channel	LIGHTS	D.O.T. Stop, Tail, Turn & Clearance
TOP RAIL	1-5/8" Pipe	ELEC. PLUG	4-Way Flat w/Loom
FRAME	3" x 2" x 3/16" Angle	FINISH (Prep)	Steel is Cleaned to Ensure a Professional Smooth Finish.
CROSSMEMBERS	2" x 2" x 1/8" Angle	FINISH	Superior Quality Finish is Applied for a Highly Decorative and Protective Finish.
UPRIGHTS	2" x 2" x 1/8" Angle		
FENDERS	8" x 28" Rolled Formed		

Standard Features

- Safety Chains Attached w/Cold Rolled Eyelets
- Lower Jack Support Plate
- 4 Tie Down Loops Inside Bed
- Sand Foot on Jack
- 27-3/4" Sides w/ 24" V-Crimped Steel Panels
- EZ Lube Axle

Shown with Optional Rampgate



MODEL#	WEIGHT	DESCRIPTION
19SV-08	690#	50" x 8' Single Axle Vanguard

OPTIONS

3' Rampgate w/Expanded Metal

29SA Single Axle Utility

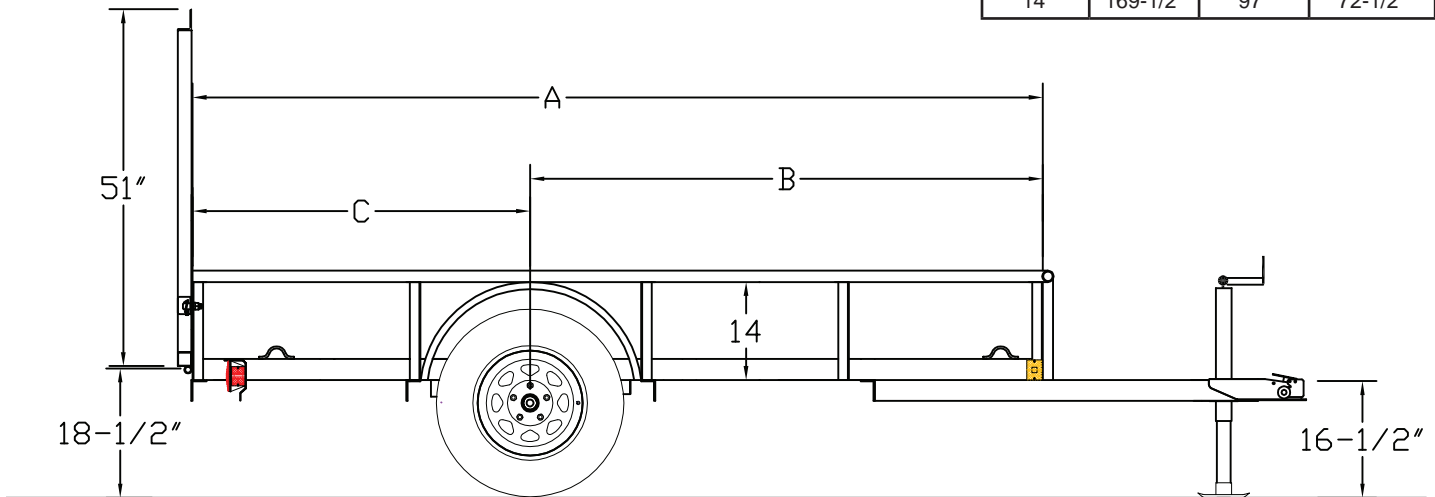
G.V.W.R.	2,995#	AXLE	3,500# EZ Lube w/Brake Flanges
G.A.W.R.	2,995#	SUSPENSION	Multi-Leaf Spring
COUPLER	2" A-Frame	TIRE	ST205/75-15 Load Range C
SAFETY CHAINS	1/4" Grd. 30 w/Safety Latch Hook (2 each)	WHEEL	15 x 5 White Spoke 5 Bolt
JACK	2K Top Wind (Bolted On)	FLOOR	2" Pine
TONGUE	3" x 2" x 3/16" Angle	LIGHTS	D.O.T. Stop, Tail, Turn & Clearance
TOP RAIL	1-5/8" Pipe	ELEC. PLUG	4-Way Flat w/Loom
FRAME	3" x 2" x 3/16" Angle	FINISH (Prep)	Steel is Cleaned to Ensure a Professional Smooth Finish.
CROSSMEMBERS	3" x 2" x 3/16" Angle	FINISH	Superior Quality Finish is Applied for a Highly Decorative and Protective Finish.
UPRIGHTS	14" Tall Angle, 1-1/2" x 1-1/2" Angle		
FENDERS	9" x 32" Rolled Formed w/Back		

Standard Features

- Safety Chains Attached w/Cold Rolled Eyelets
- Sand Foot on Jack
- Lower Jack Support Plate
- Brake Flanges for Easy Brake Addition
- Floor Secured w/Torx Screws
- 4 Tie Down Loops Inside
- EZ Lube Axle
- Available in Black Only
- Available in 10' and 14' Only

Shown with Optional Rampgate

Dimensions			
Length	A	B	C
10'	121-1/2"	73"	48-1/2"
14'	169-1/2"	97"	72-1/2"



MODEL#	WEIGHT	DESCRIPTION
29SA-10	730#	60" x 10' Single Axle Trailer
29SA-14	940#	60" x 14' Single Axle Trailer

OPTIONS

Spare Tire Mount	4' Rampgate
Spare Tire (ST205/75-15 LR-C)	

STANDARD MODEL - NO OTHER OPTIONS AVAILABLE

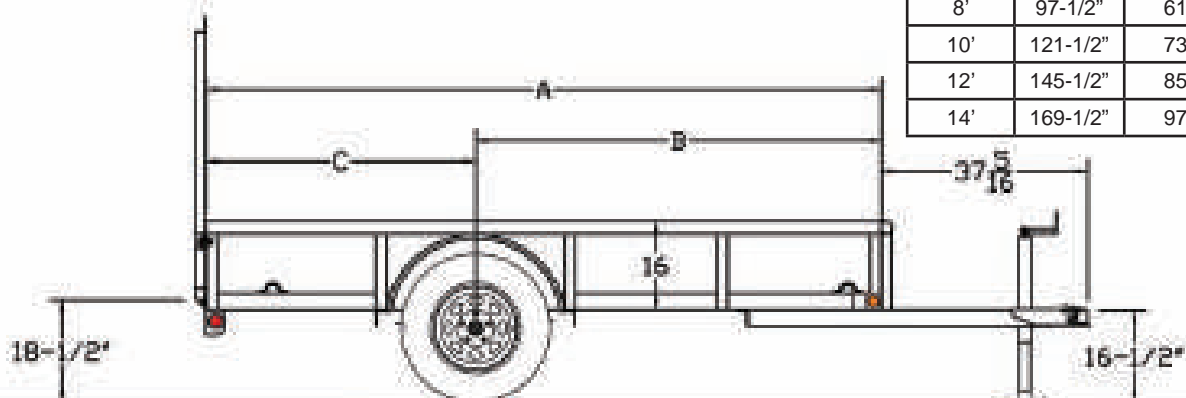
30SA / 35SA Single Axle Utility

G.V.W.R.	2,995#	AXLE	3,500# EZ Lube w/Brake Flanges
G.A.W.R.	2,995#	SUSPENSION	Multi-Leaf Spring
COUPLER	2" A-Frame	TIRE	ST205/75-15 Load Range C
SAFETY CHAINS	1/4" Grd. 30 w/Safety Latch Hook (2 each)	WHEEL	15 x 5 White Spoke 5 Bolt
JACK	2K Top Wind (Bolted On)	FLOOR	2" Pine
TONGUE	3" Channel	LIGHTS	D.O.T. Stop, Tail, Turn & Clearance
TOP RAIL	30SA - 2" Pipe/35SA - 2-3/8" Pipe	ELEC. PLUG	4-Way Flat w/Loom
FRAME	3" x 2" x 3/16" Angle	FINISH (Prep)	Steel is Cleaned to Ensure a Professional Smooth Finish.
CROSSMEMBERS	3" x 2" x 3/16" Angle	FINISH	Superior Quality Finish is Applied for a Highly Decorative and Protective Finish.
UPRIGHTS	15" Tall - 1/2" Angle (30SA) and 2" Angle (35SA)		
FENDERS	9" x 32" Rolled Formed w/Back		

Standard Features

- Safety Chains Attached w/Cold Rolled Eyelets
- Sand Foot on Jack
- Lower Jack Support Plate
- 3,500# Idler EZ Lube Axle w/Flanges for Easy Brake Addition
- Pipe Top Rail
- 4 Tie Down Loops
- Grommet Mount Sealed Lighting

Shown with Optional Rampgate



Dimensions			
Length	A	B	C
8'	97-1/2"	61"	36-1/2"
10'	121-1/2"	73"	48-1/2"
12'	145-1/2"	85"	60-1/2"
14'	169-1/2"	97"	72-1/2"

MODEL#	WEIGHT	DESCRIPTION
30SA-08	690#	60" x 8' Single Axle
30SA-10	710#	60" x 10' Single Axle
30SA-12	910#	60" x 12' Single Axle
30SA-14	990#	60" x 14' Single Axle
35SA-10	910#	77" x 10' Single Axle
35SA-12	1,020#	77" x 12' Single Axle
35SA-14	1,110#	77" x 14' Single Axle

OPTIONS

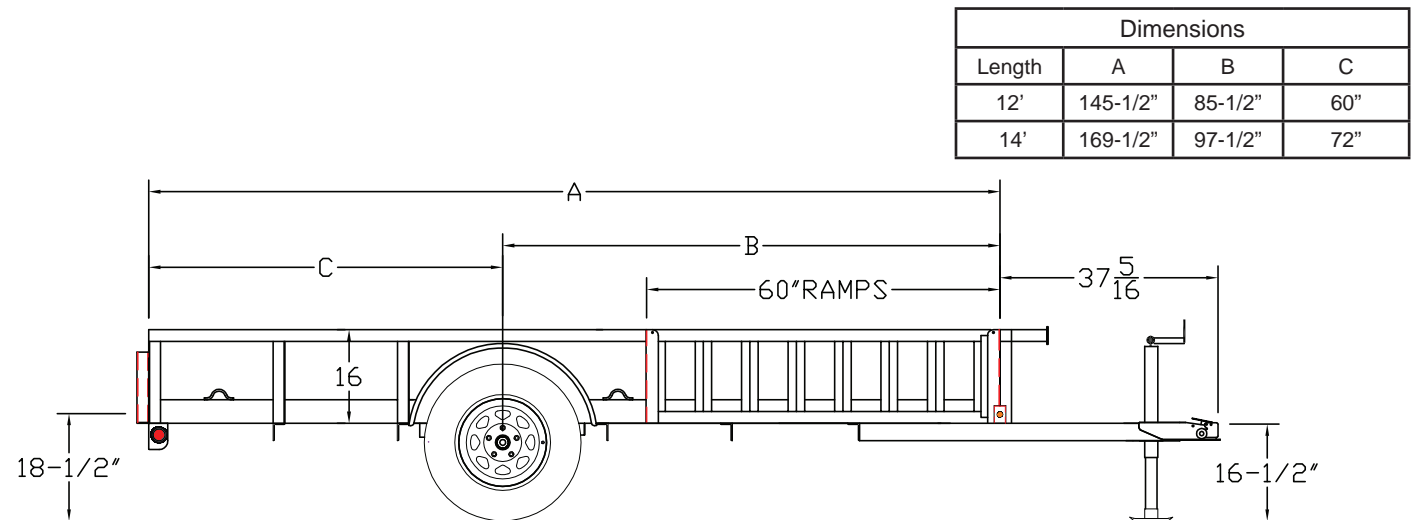
2" Forged Coupler	4' Rampgate (5W)
2K Fold-Up Jack	4' Rampgate (6.5W)
Set Back Jack	Gas Spring Assist Option - Rampgate
Electric Brakes w/Complete Break-Away Kit	Car Hauler Style
Spare Tire Mount (Side)	Tie Down Pockets (Each)
Spare Tire (ST205/75-15 LR-C)	4' Slide In Ramps (35SA Only)
LED Lighting	

35SA-RS/RSX Single Axle Utility

G.V.W.R.	2,995#	AXLE	3,500# EZ Lube w/Brake Flanges
G.A.W.R.	2,995#	SUSPENSION	Multi-Leaf Spring
COUPLER	2" A-Frame	TIRE	ST205/75-15 Load Range C
SAFETY CHAINS	1/4" Grd. 30 w/Safety Latch Hook (2 each)	WHEEL	15 x 5 White Spoke 5 Bolt
JACK	2K Top Wind (Bolted On)	FLOOR	2" Pine
TONGUE	3" Channel Tongue	LIGHTS	D.O.T. Stop, Tail, Turn & Clearance
TOP RAIL	2" Square Tubing	ELEC. PLUG	4-Way Flat w/Loom
FRAME	4" x 3" x 1/4" Angle	FINISH (Prep)	Steel is Cleaned to Ensure a Professional Smooth Finish.
CROSSMEMBERS	3" x 2" x 3/16" Angle	FINISH	Superior Quality Finish is Applied for a Highly Decorative and Protective Finish.
UPRIGHTS	14" Tall, 2" x 2" x 1/8" Angle		
FENDERS	9" x 32" Rolled Formed w/Back		

Standard Features

- Safety Chains Attached w/Cold Rolled Eyelets
- Sand Foot on Jack
- Lower Jack Support Plate
- 2" Square Tubing Top Rail
- 6 Tie Down Loops
- 3,500# EZ Lube Axle w/Flanges for Easy Brake Addition
- 2-5' Square Tubing Ramps (16" Wide) that can be used on either Side and on Rear
- Spare Tire Mount
- Rear Tail Board Channels
- Grommet Mount Sealed Lighting



MODEL#	WEIGHT	DESCRIPTION
35SA-12RS	1,100#	77" x 12' Single Axle
35SA-12RSX	1,140#	83" x 12' Single Axle
35SA-14RS	1,230#	77" x 14' Single Axle
35SA-14RSX	1,270#	83" x 14' Single Axle

OPTIONS

2" Forged Coupler	LED Lighting
2K Fold-Up Jack	4' Rampgate (6.5W)
Electric Brakes w/Complete Break-Away Kit	4' Rampgate (7W)
Spare Tire (ST205/75-15 LR-C)	

STANDARD MODEL - NO OTHER OPTIONS AVAILABLE

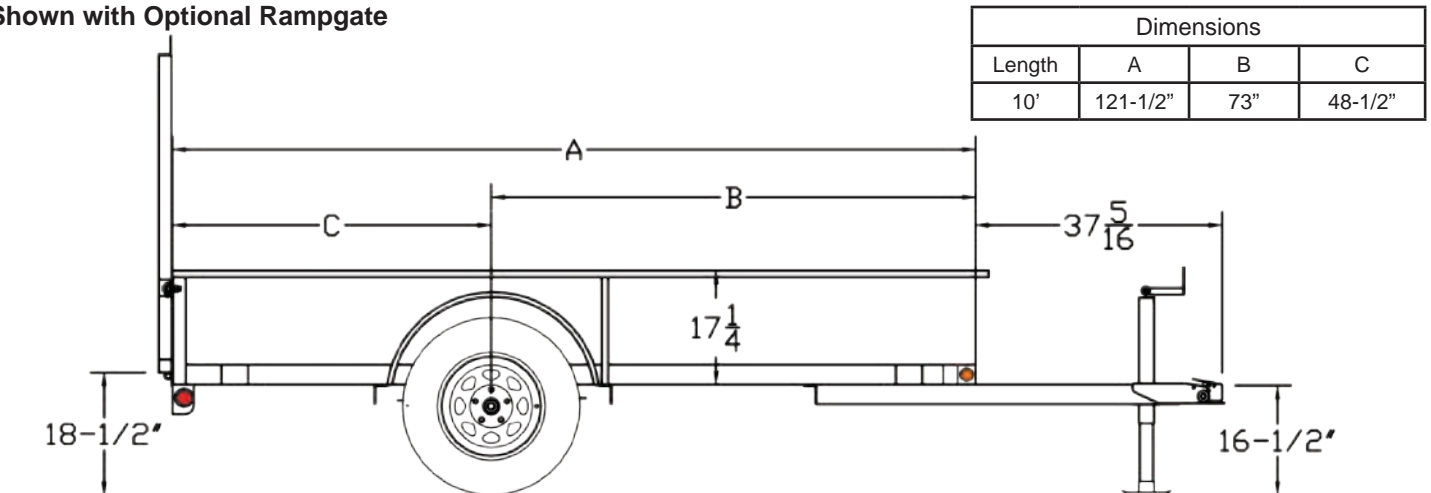
30AA / 35AA Single Axle All-Around

G.V.W.R.	2,995#	AXLE	3,500# EZ Lube w/Brake Flanges
G.A.W.R.	2,995#	SUSPENSION	Multi-Leaf Spring
COUPLER	2" A-Frame	TIRE	ST205/75-15 Load Range C
SAFETY CHAINS	1/4" Grd. 30 w/Safety Latch Hook (2 each)	WHEEL	15 x 5 White Spoke 5 Bolt
JACK	2K Top Wind (Bolted On)	FLOOR	2" Pine
TONGUE	3" Channel	LIGHTS	D.O.T. Stop, Tail, Turn & Clearance
SIDES	14" Solid Formed (14 Ga.) Side Panels w/2" Lip	ELEC. PLUG	4-Way Flat w/Loom
FRAME	3" x 2" x 3/16" Angle	FINISH (Prep)	Steel is Cleaned to Ensure a Professional Smooth Finish.
CROSSMEMBERS	3" x 2" x 3/16" Angle	FINISH	Superior Quality Finish is Applied for a Highly Decorative and Protective Finish.
UPRIGHTS			
FENDERS	9" x 32" Rolled Formed		

Standard Features

- Safety Chains Attached w/Cold Rolled Eyelets
- Sand Foot for Jack
- Lower Jack Support Plate
- 17-1/4" Solid Formed Sheet Sides
- Floor Secured w/Torx Screws
- 4 Tie Down Loops Inside
- 3,500# EZ Lube Axle w/Brake Flanges for Easy Brake Addition
- Grommet Mount Sealed Lighting

Shown with Optional Rampgate



MODEL#	WEIGHT	DESCRIPTION
30AA-10	910#	60" x 10' Single Axle All Around
35AA-10	1,030#	77" x 10' Single Axle All Around

OPTIONS

2" Forged Coupler	Spare Tire (ST205/75-15 LR-C)
2K Fold-Up Jack	LED Lighting
Set Back Jack	4' Rampgate (5W)
Electric Brakes w/Complete Break-Away Kit	4' Rampgate (6.5W)
Spare Tire Mount (Side)	Gas Spring Assist Option - Rampgate

STANDARD MODEL - NO OTHER OPTIONS AVAILABLE

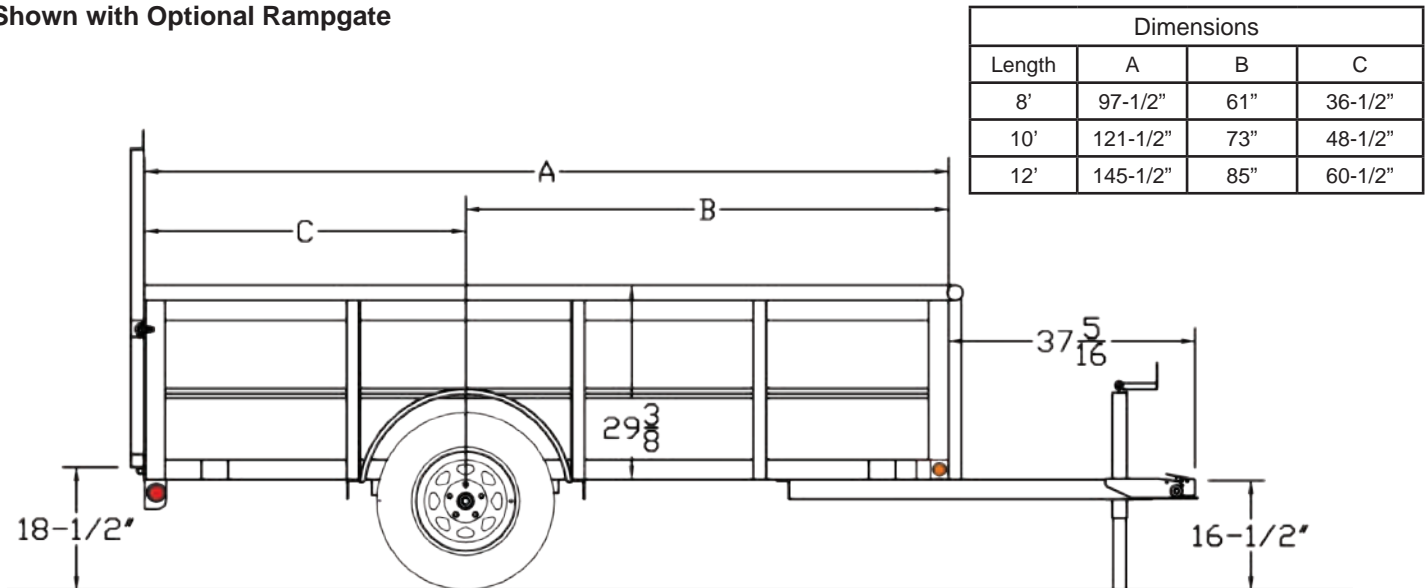
30SV / 35SV Single Axle Vanguard

G.V.W.R.	2,995#	AXLE	3,500# EZ Lube w/Brake Flanges
G.A.W.R.	2,995#	SUSPENSION	Multi-Leaf Spring
COUPLER	2" A-Frame	TIRE	ST205/75-15 Load Range C
SAFETY CHAINS	1/4" Grd. 30 w/Safety Latch Hook (2 each)	WHEEL	15 x 5 White Spoke 5 Bolt
JACK	2K Top Wind (Bolted On)	FLOOR	2" Pine
TONGUE	3" Channel	LIGHTS	D.O.T. Stop, Tail, Turn & Clearance
TOP RAIL	2" Pipe - 30SV / 2-3/8" Pipe on 35SV	ELEC. PLUG	4-Way Flat w/Loom
FRAME	3" x 2" x 3/16" Angle	FINISH (Prep)	Steel is Cleaned to Ensure a Professional Smooth Finish.
CROSSMEMBERS	3" x 2" x 3/16" Angle	FINISH	Superior Quality Finish is Applied for a Highly Decorative and Protective Finish.
UPRIGHTS	3" x 2" & 2" x 2" Angle		
FENDERS	9" x 32" Rolled Formed		

Standard Features

- Safety Chains Attached w/Cold Rolled Eyelets
- Sand Foot on Jack
- Lower Jack Support Plate
- 29-3/8" Tall 16 Ga. Sides w/24" V-Crimped Steel Panels
- 4 Tie Down Loops Inside Bed
- Top Rail Capped w/Self Sealing Plugs
- Floor Secured w/Torx Screws
- 3,500# EZ Lube Axle w/Brake Flanges for Easy Brake Addition
- Grommet Mount Sealed Lighting

Shown with Optional Rampgate



MODEL#	WEIGHT	DESCRIPTION
30SV-08	880#	60" x 8' Single Axle Vanguard
30SV-10	960#	60" x 10' Single Axle Vanguard
30SV-12	1,130#	60" x 12' Single Axle Vanguard
35SV-10	1,100#	77" x 10' Single Axle Vanguard
35SV-12	1,290#	77" x 12' Single Axle Vanguard

OPTIONS

2" Forged Coupler	LED Lighting
2K Fold-Up Jack	4' Rampgate (5W)
Set Back Jack	4' Rampgate (6.5W)
Electric Brakes w/Complete Break-Away Kit	Gas Spring Assist Option - Rampgate
Spare Tire Mount (Side)	Removable Landscape Box - 24" x 24" x Width of Trailer
Spare Tire (ST205/75-15 LR-C)	

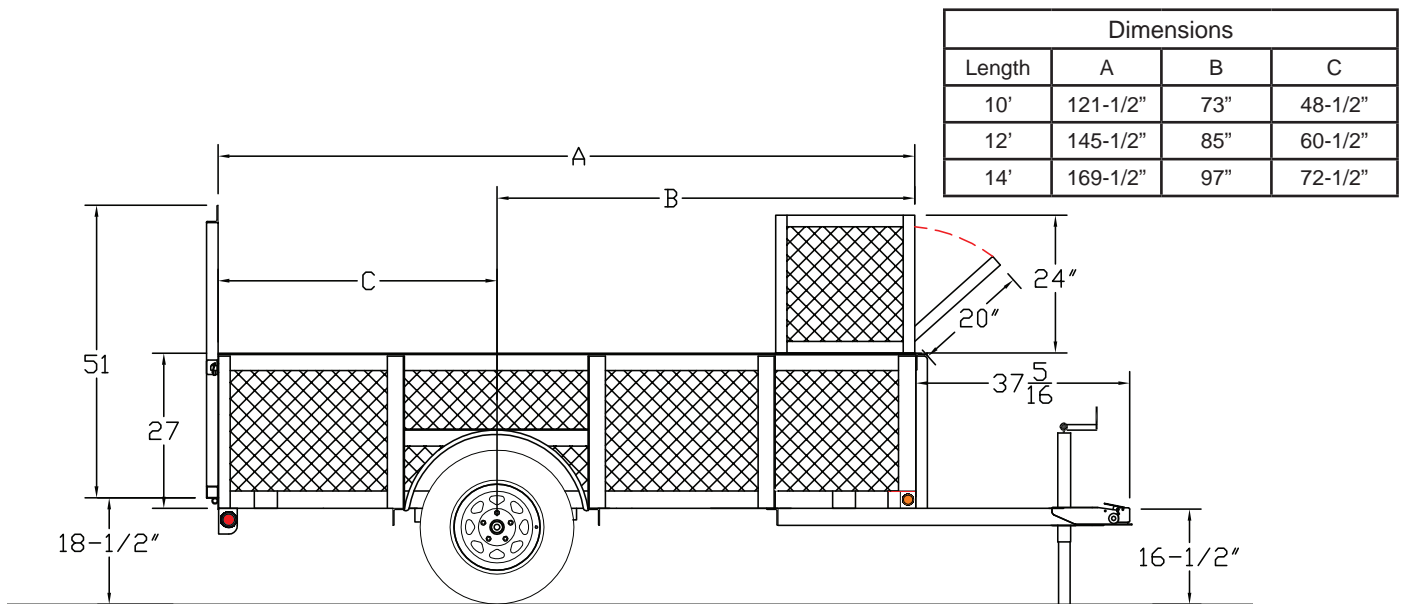
30LS / 35LS

Single Axle Landscape

G.V.W.R.	2,995#	AXLE	3,500# EZ Lube w/Brake Flanges
G.A.W.R.	2,995#	SUSPENSION	Multi-Leaf Spring
COUPLER	2" A-Frame	TIRE	ST205/75-15 Load Range C
SAFETY CHAINS	1/4" Grd. 30 w/Safety Latch Hook (2 each)	WHEEL	15 x 5 White Spoke 5 Bolt
JACK	2K Top Wind (Bolted On)	FLOOR	2" Pine
TONGUE	3" Channel	LIGHTS	D.O.T. Stop, Tail, Turn & Clearance
TOP RAIL	3" x 2" x 3/16" Angle	ELEC. PLUG	4-Way Flat w/Loom
FRAME	3" x 2" x 3/16" Angle	FINISH (Prep)	Steel is Cleaned to Ensure a Professional Smooth Finish.
CROSSMEMBERS	3" x 2" x 3/16" Angle	FINISH	Superior Quality Finish is Applied for a Highly Decorative and Protective Finish.
UPRIGHTS	3" x 2" x 3/16" Angle, 3" x 2" Tube		
FENDERS	9" x 32" Rolled Formed w/Back		

Standard Features

- Safety Chains Attached w/Cold Rolled Eyelets
- Sand Foot on Jack
- 24" x 24" x Width of Trailer, Lockable Landscape Box Mounted on Front of Trailer
- 2' Sides Enclosed w/Expanded Metal
- 5 Tool Holders on Rear of Landscape Box
- Floor Secured w/Torx Screws
- 3,500# EZ Lube Axle w/Brake Flanges for Easy Brake Addition
- 4' Rampgate w/Expanded Metal
- 30LS has 3 Center Uprights in Gate
- 35LS has 5 Center Uprights in Gate
- Grommet Mount Sealed Lighting



MODEL#	WEIGHT	DESCRIPTION
30LS-10	1,260#	60" x 10' Single Axle Landscape
35LS-10	1,420#	83" x 10' Single Axle Landscape
35LS-12	1,650#	83" x 12' Single Axle Landscape
35LS-14	1,820#	83" x 14' Single Axle Landscape

OPTIONS

2" Forged Coupler	2' Side Extensions w/Expanded Metal (Bolt On) - 14'
2K Fold-Up Jack	Spare Tire Mount (Side)
Set Back Jack	Spare Tire (ST205/75-15 LR-C)
Electric Brakes w/Complete Break-Away Kit	LED Lighting
2' Side Extensions w/Expanded Metal (Bolt On) - 10'	Gas Spring Assist Option - Rampgate
2' Side Extensions w/Expanded Metal (Bolt On) - 12'	Weed Eater Racks

35MC

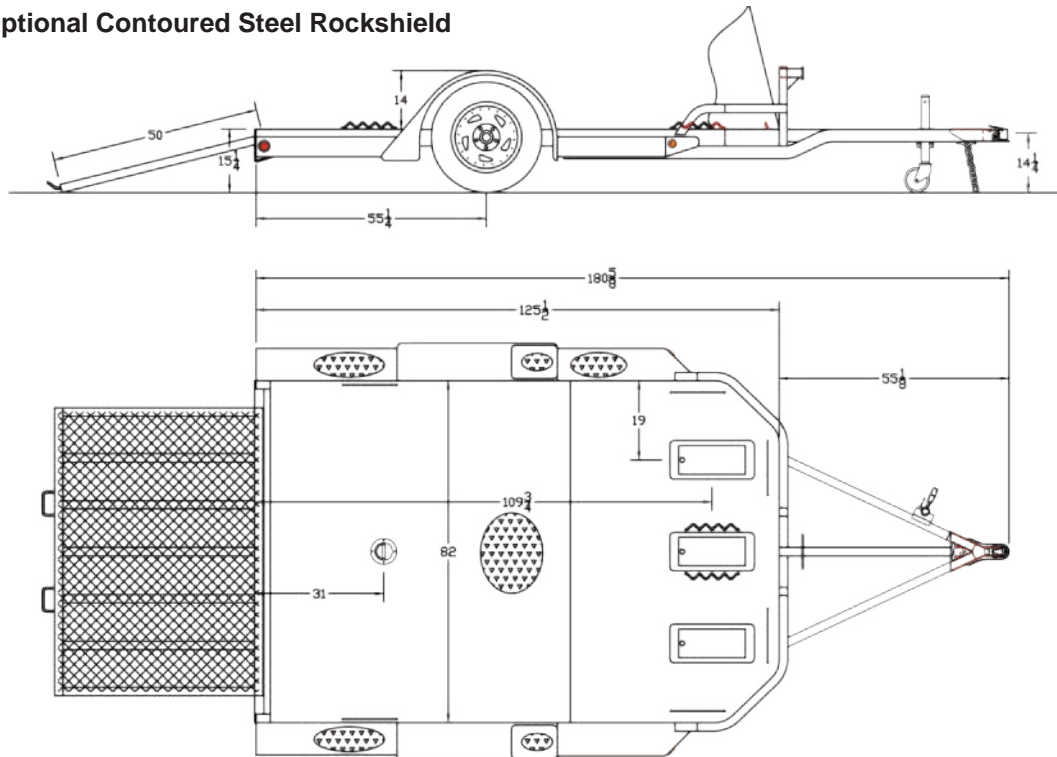
Single Axle Motorcycle

G.V.W.R.	2,995#	AXLE	3,500# EZ Lube Torflex w/Brake Flanges
G.A.W.R.	2,995#	SUSPENSION	Torsion
COUPLER	2" A-Frame	TIRE	ST205/75D15 Load Range C
SAFETY CHAINS	1/4" Grd. 30 w/Safety Latch Hook (2 each)	WHEEL	15 x 6, Modular Chrome 5 Bolt
JACK	2K Side Wind Fold-Up w/Caster	FLOOR	1/8" Diamond Plate
TONGUE	3" x 2" Tube Cold Formed	LIGHTS	D.O.T. Stop, Tail, Turn & Clearance
FRAME	4" x 2" Tube	ELEC. PLUG	4-Way Flat w/Loom
CROSSMEMBERS	3" x 2" x 3/16" Angle	FINISH (Prep)	Steel is Cleaned to Ensure a Professional Smooth Finish.
FENDERS	Custom Contoured 9" X 32" Rolled Formed w/Backs	FINISH	Superior Quality Finish is Applied for a Highly Decorative and Protective Finish.

Standard Features

- Front & Rear Running Boards w/Aluminum TreadBrite Inserts
- 1/8" Diamond Plate Floor
- 3, 6-5/8" Wide Flip-Up Wheel Chocks
- 6 Outer Tie Down Rails w/Center D-Ring
- 3,500# Torflex EZ Lube Axle w/Brake Flanges for Easy Brake Addition
- Chrome Wheels w/Chrome Caps & Lugnuts
- Spare Tire Mount
- Aluminum TreadBrite Rock Guards on Fenders
- 50" x 69" Pull-Out Tubular Ramp w/Expanded Metal
- Grommet Mount Sealed Lighting

Shown with Optional Contoured Steel Rockshield



MODEL#	WEIGHT	DESCRIPTION
35MC-10	1,290#	82" x 10' Single Axle Trailer

OPTIONS

Electric Brakes w/Complete Break-Away Kit	Aluminum TreadBrite V-Shape Tool Box
Spare Tire (ST205/75D15 LR-C on Chrome Wheel)	Steel A-Frame Tool Box
Steel Rock Shield	LED Lighting
Aluminum TreadBrite Front Rock Shield	



Tandem Axle



www.bigtexttrailers.com

TOUGH AS A TEXAS LONGHORN

**TANDEM
AHLE**

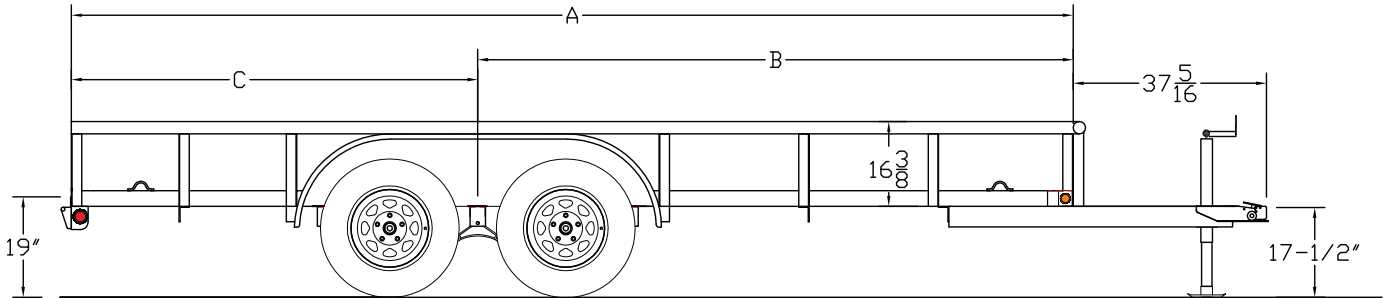
45SS Tandem Axle Utility

G.V.W.R.	4,490#	AXLES	Two 3,500# EZ Lube Axles w/1 Elec Brake
G.A.W.R. (Ea. Axle)	3,500#	SUSPENSION	Multi-Leaf Spring
COUPLER	2" A-Frame	TIRE	ST205/75-15 Load Range C
SAFETY CHAINS	1/4" Grd. 30 w/Safety Latch Hook (2 each)	WHEEL	15 x 5 White Spoke 5 Bolt
JACK	2K Top Wind (Bolted On)	FLOOR	2" Pine
TONGUE	4" Channel	LIGHTS	D.O.T. Stop, Tail, Turn & Clearance
TOP RAIL	2-3/8" Pipe Top Rail	ELEC. PLUG	7-Way RV
FRAME	3" x 2" x 3/16" Angle	FINISH (Prep)	Steel is Cleaned to Ensure a Professional Smooth Finish.
CROSSMEMBERS	3" x 2" x 3/16" Angle	FINISH	Superior Quality Finish is Applied for a Highly Decorative and Protective Finish.
UPRIGHTS	15" Tall, 2" x 2" x 1/8" Angle		
FENDERS	9" x 72" Rolled Formed w/Back		

Standard Features

- Safety Chains Attached w/Cold Rolled Eyelets
- Sand Foot on Jack
- Lower Jack Support Plate
- Floor Secured w/Torx Screws
- Cambered EZ Lube Axles w/1 Electric Brake
- Complete Break-A-Way System w/Charger
- Grommet Mount Sealed Lighting

Dimensions			
Length	A	B	C
16'	193-1/2"	115"	78-1/2"



MODEL#	WEIGHT	DESCRIPTION
45SS-16	1,400#	77" x 16' Tandem Axle Pipe Trailer

OPTIONS

No Brakes	Spare Tire (ST205/75-15 LR-C)
Electric Brakes on 2 Axles	LED Lighting
Spare Tire Mount (Side)	4' Rampgate (6.5 W)

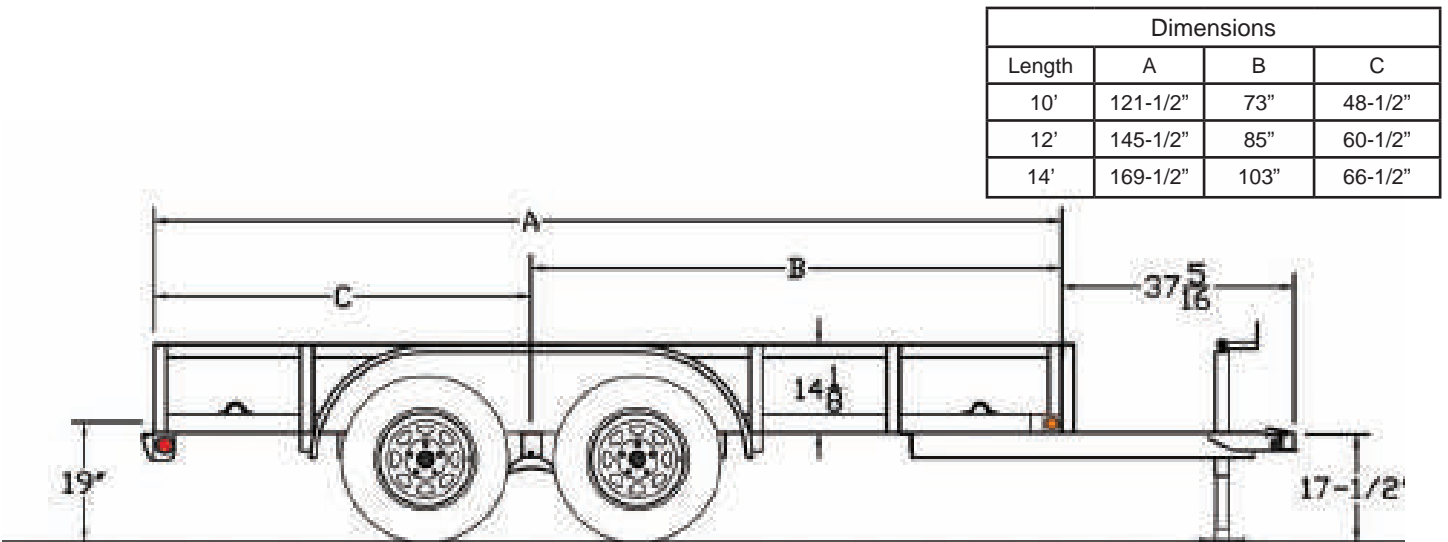
STANDARD MODEL - NO OTHER OPTIONS AVAILABLE

45LA Tandem Axle Utility

G.V.W.R.	4,500#	AXLES	Two 3,500# EZ Lube w/1 Elec. Brake
G.A.W.R. (Ea. Axle)	3,500#	SUSPENSION	Multi-Leaf Spring
COUPLER	2" A-Frame	TIRE	ST205/75-15 Load Range C
SAFETY CHAINS	1/4" Grd. 30 w/Safety Latch Hook (2 each)	WHEEL	15 x 5 White Spoke 5 Bolt
JACK	2K Top Wind (Bolted On)	FLOOR	2" Pine
TONGUE	4" Channel	LIGHTS	D.O.T. Stop, Tail, Turn & Clearance
TOP RAIL	3" x 2" x 3/16" Angle	ELEC. PLUG	7-Way RV
FRAME	3" x 2" x 3/16" Angle	FINISH (Prep)	Steel is Cleaned to Ensure a Professional Smooth Finish.
CROSSMEMBERS	3" x 2" x 3/16" Angle	FINISH	Superior Quality Finish is Applied for a Highly Decorative and Protective Finish.
UPRIGHTS	14" Tall, 2" x 2" x 1/8" Angle		
FENDERS	9" x 72" Rolled Formed w/Back		

Standard Features

- Safety Chains Attached w/Cold Rolled Eyelets
- Sand Foot on Jack
- Lower Jack Support Plate
- Floor Secured w/Torx Screws
- 4 Tie Down Loops
- EZ Lube Axles w/1 Electric Brake
- Complete Break-A-Way System w/Charger
- Grommet Mount Sealed Lighting



MODEL#	WEIGHT	DESCRIPTION
45LA-10	1,110#	60" x 10' Tandem Axle Trailer
45LA-12	1,190#	60" x 12' Tandem Axle Trailer
45LA-14	1,370#	60" x 14' Tandem Axle Trailer

OPTIONS

2" Forged Coupler	Spare Tire Mount (Side)
2-5/16" Stamped Coupler	Spare Tire (ST205/75-15 LR-C)
2-5/16" Forged Coupler	LED Lighting
2K Fold-Up Jack	4' Rampgate (5 W)
Electric Brakes on 2nd Axle	Gas Spring Assist Option - Rampgate
Hydraulic Surge Brakes 1 Axle w/Atwood Actuator	Tie Down Pockets (Each)
Hydraulic Surge Brakes 2 Axles w/ Atwood Actuator	Heavy Duty Frame

STANDARD MODEL - NO OTHER OPTIONS AVAILABLE

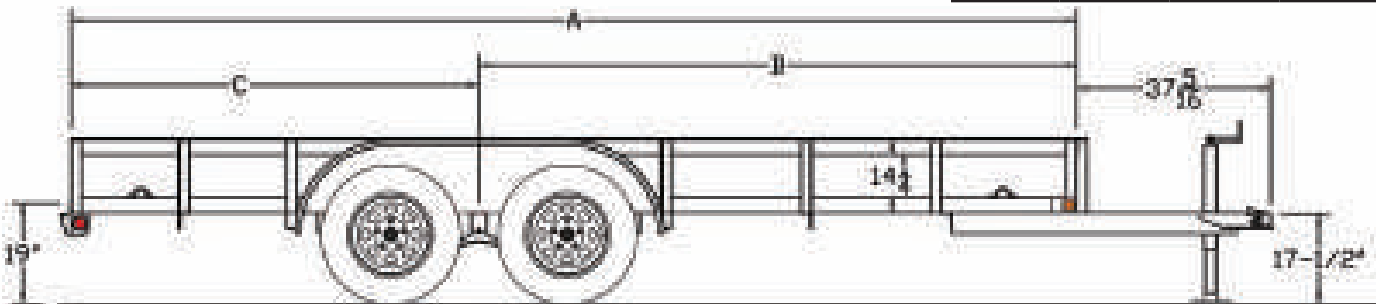
50LA Tandem Axle Utility

G.V.W.R.	5,000#	AXLES	Two 3,500# EZ Lube w/1 Elec. Brake
G.A.W.R. (Ea. Axle)	3,500#	SUSPENSION	Multi-Leaf Spring
COUPLER	2" A-Frame	TIRE	ST205/75-15 Load Range C
SAFETY CHAINS	1/4" Grd. 30 w/Safety Latch Hook (2 each)	WHEEL	15 x 5 White Spoke 5 Bolt
JACK	2K Top Wind (Bolted On)	FLOOR	2" Pine
TONGUE	4" Channel	LIGHTS	D.O.T. Stop, Tail, Turn & Clearance
TOP RAIL	3" x 2" x 3/16" Angle	ELEC. PLUG	7-Way RV
FRAME	3" x 2" x 3/16" Angle	FINISH (Prep)	Steel is Cleaned to Ensure a Professional Smooth Finish.
CROSSMEMBERS	3" x 2" x 3/16" Angle	FINISH	Superior Quality Finish is Applied for a Highly Decorative and Protective Finish.
UPRIGHTS	14" Tall 2" x 2" x 1/8" Angle		
FENDERS	9" x 72" Rolled Formed w/Back		

Standard Features

- Safety Chains Attached w/Cold Rolled Eyelets
- Sand Foot on Jack
- Lower Jack Support Plate
- Floor Secured w/Torx Screws
- 4 Tie Down Loops
- Cambered EZ Lube Axles w/1 Electric Brake
- Complete Break-A-Way System w/Charger
- Grommet Mount Sealed Lighting

Dimensions			
Length	A	B	C
10'	121-1/2"	73"	48-1/2"
12'	145-1/2"	85"	60-1/2"
14'	169-1/2"	103"	66-1/2"
16'	193-1/2"	115"	78-1/2"
18'	217-1/2"	127"	90-1/2"



MODEL#	WEIGHT	DESCRIPTION
50LA-10	1,120#	77" x 10' Tandem Axle Trailer
50LA-12	1,340#	77" x 12' Tandem Axle Trailer
50LA-14	1,440#	77" x 14' Tandem Axle Trailer
50LA-16	1,500#	77" x 16' Tandem Axle Trailer
50LA-18	1,570#	77" x 18' Tandem Axle Trailer

OPTIONS

2" Forged Coupler	Spare Tire (ST205/75-15 LR-C)
2-5/16" Stamped Coupler	LED Lighting
2-5/16" Forged Coupler	4' Rampgate (6.5 W)
2K Fold-Up Jack	4' Slide In Ramps
Fold Back Tongue (14' or Longer)	Gas Spring Assist Option - Rampgate
Electric Brakes on 2nd Axle	Tie Down Pockets (Each)
Hydraulic Surge Brakes 1 Axle w/Atwood Actuator	Heavy Duty Frame
Hydraulic Surge Brakes 2 Axles w/Atwood Actuator	Extra Wide Deck (7' W)
Spare Tire Mount (Side)	4' Rampgate (7' W)

60CH Tandem Axle Car Hauler Special

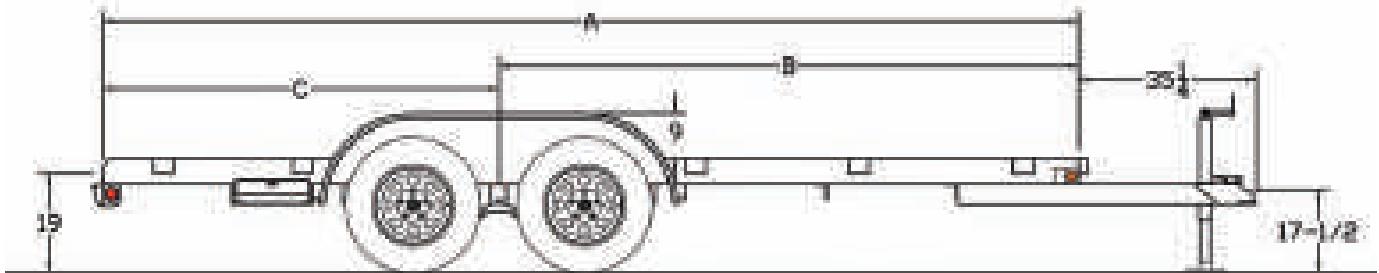
G.V.W.R.	6,000#	AXLES	Two 3,500# EZ Lube w/1 Elec. Brake
G.A.W.R. (Ea. Axle)	3,500#	SUSPENSION	Multi-Leaf Spring w/Equalizer
COUPLER	2" A-Frame	TIRE	ST205/75-15 Load Range C
SAFETY CHAINS	1/4" Grd. 70 w/Safety Latch Hook	WHEEL	15 x 5 White Spoke 5 Bolt
JACK	2K Top Wind (Bolted On)	FLOOR	2" Pine
TONGUE	4" Channel	LIGHTS	D.O.T. Stop, Tail, Turn & Clearance
TOP RAIL	None	ELEC. PLUG	7-Way RV
FRAME	5" x 3" x 1/4" Angle	FINISH (Prep)	Steel is Cleaned to Ensure a Professional Smooth Finish.
CROSSMEMBERS	3" x 2" x 3/16" Angle	FINISH	Superior Quality Finish is Applied for a Highly Decorative and Protective Finish.
UPRIGHTS	None		
FENDERS	9" x 72" Rolled Formed w/Back (Bolted On)		

Standard Features

- Safety Chains Attached w/Cold Rolled Eyelets
- Sand Foot on Jack
- Lower Jack Support Plate
- Tie Down Pockets Sides & Front
- Floor Secured w/Torx Screws
- Cambered EZ Lube Axles w/1 Electric Brake
- Complete Break-A-Way System w/Charger
- Grommet Mount Sealed Lighting

Shown with Optional Slide In Ramps

Dimensions			
Length	A	B	C
14'	169-1/2"	103"	66-1/2"
16'	193-1/2"	115"	78-1/2"



MODEL#	WEIGHT	DESCRIPTION
60CH-14	1,620#	83" x 14' Tandem Axle Trailer
60CH-16	1,670#	83" x 16' Tandem Axle Trailer

OPTIONS

2" Forged Coupler	Spare Tire Mount
2-5/16" Forged Coupler	Spare Tire (ST205/75-15 LR-C)
Electric Brakes on 2nd Axle	LED Lighting
Hydraulic Surge Brakes 1 Axle	4' Slide In Ramps
Hydraulic Surge Brakes 2 Axles	

STANDARD MODEL - NO OTHER OPTIONS AVAILABLE

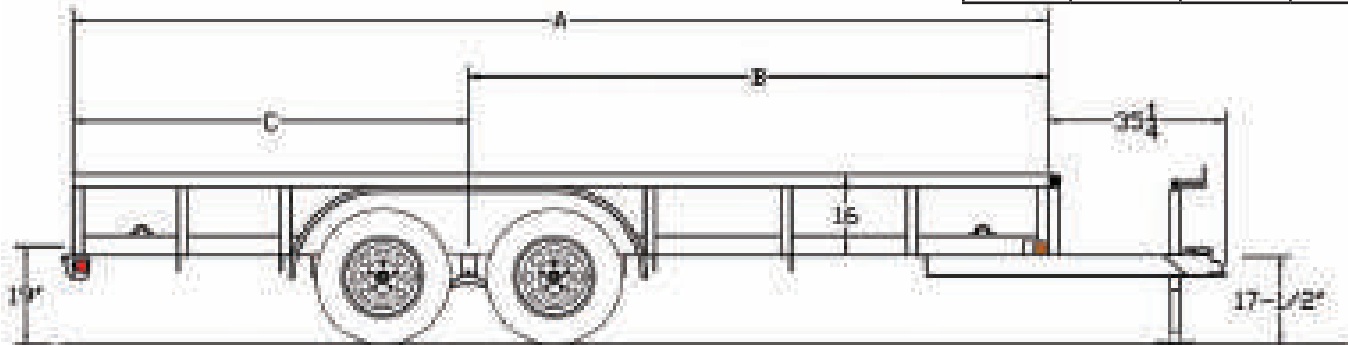
60SP Tandem Axle Pipe Special

G.V.W.R.	6,000#	AXLES	Two 3,500# EZ Lube w/1 Elec. Brake
G.A.W.R. (Ea. Axle)	3,500#	SUSPENSION	Multi-Leaf Spring w/Equalizer
COUPLER	2" A-Frame	TIRE	ST205/75-15 Load Range C
SAFETY CHAINS	1/4" Grd. 70 w/Safety Latch Hook (2 each)	WHEEL	15 x 5 White Spoke 5 Bolt
JACK	2K Top Wind (Bolted On)	FLOOR	2" Pine
TONGUE	4" Channel A-Frame	LIGHTS	D.O.T. Stop, Tail, Turn & Clearance
TOP RAIL	2-3/8" Pipe Square Back	ELEC. PLUG	7-Way RV
FRAME	4" x 3" x 1/4" Angle	FINISH (Prep)	Steel is Cleaned to Ensure a Professional Smooth Finish.
CROSSMEMBERS	3" x 2" x 3/16" Angle	FINISH	Superior Quality Finish is Applied for a Highly Decorative and Protective Finish.
UPRIGHTS	16" Tall 3" x 2" x 3/16" Angle		
FENDERS	9" x 72" Rolled Formed w/Back		

Standard Features

- Safety Chains Attached w/Cold Rolled Eyelets
- Sand Foot on Jack
- Lower Jack Support Plate
- 2-3/8" Top Rail Capped w/Self Sealing Plugs
- Floor Secured w/Torx Screws
- 4 Tie Down Loops
- Cambered EZ Lube Axles w/1 Electric Brake
- Complete Break-A-Way System w/Charger
- Grommet Mount Sealed Lighting
- Black Only

Dimensions			
Length	A	B	C
12'	145-1/2"	85"	60-1/2"
14'	169-1/2"	103"	66-1/2"
16'	193-1/2"	115"	78-1/2"



MODEL#	WEIGHT	DESCRIPTION
60SP-12	1,302#	77" x 12' Tandem Axle Trailer
60SP-14	1,410#	77" x 14' Tandem Axle Trailer
60SP-16	1,610#	77" x 16' Tandem Axle Trailer

OPTIONS

Electric Brakes on 2nd Axle	4' Slide In Ramps
Spare Tire Mount	4' Rampgate (6.5 W)
Spare Tire (ST205/75-15 LR-C)	Gas Spring Assist Option - Rampgate
LED Lighting	

STANDARD MODEL - NO OTHER OPTIONS AVAILABLE - BLACK ONLY

70PI-X Tandem Axle Pipe Utility

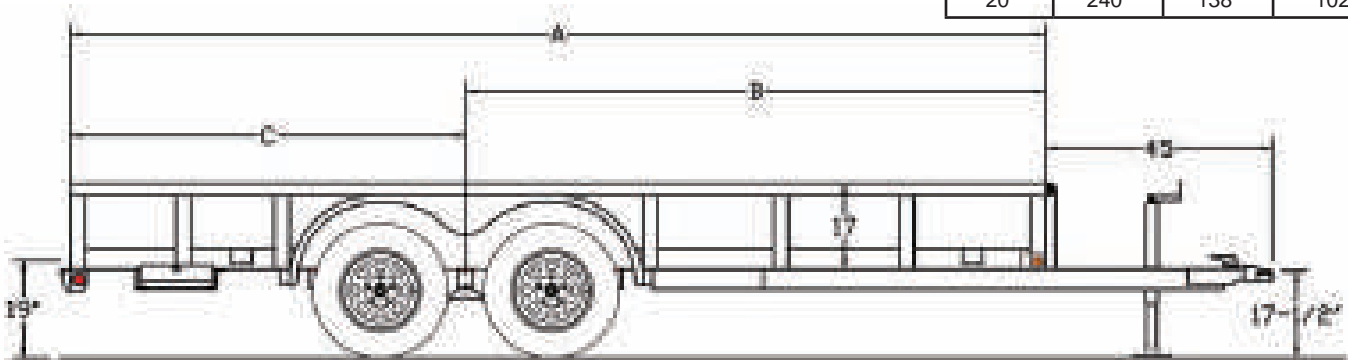
G.V.W.R.	7,000#	AXLES	Two 3,500# EZ Lube w/1 Elec. Brake
G.A.W.R. (Ea. Axle)	3,500#	SUSPENSION	Multi-Leaf Spring with Equalizer
COUPLER	7K 2" Forged Coupler	TIRE	ST205/75-15 Load Range C
SAFETY CHAINS	1/4" Grd. 70 w/Safety Latch Hook (2 each)	WHEEL	15 x 5 White Spoke 5 Bolt
JACK	2K Top Wind (Bolted On)	FLOOR	2" Pine
TONGUE	4" Channel Fold Back Tongue	LIGHTS	D.O.T. Stop, Tail, Turn & Clearance
TOP RAIL	2-3/8" Pipe Square Back	ELEC. PLUG	7-Way RV
FRAME	4" x 3" x 1/4" Angle	FINISH (Prep)	Steel is Cleaned to Ensure a Professional Smooth Finish.
CROSSMEMBERS	3" x 2" x 3/16" Angle	FINISH	Superior Quality Finish is Applied for a Highly Decorative and Protective Finish.
UPRIGHTS	16" Tall 3" x 2" x 3/16" Angle		
FENDERS	9" x 72" Tear Drop w/Back		

Standard Features

- Forged Coupler
- Safety Chains Attached w/Cold Rolled Eyelets
- Sand Foot on Jack
- Set Back Jack
- Lower Jack Support Plate
- Fold Back Tongue (14' & Longer)
- 2-3/8" Pipe Top Rail Capped w/Self Sealing Plugs
- Floor Secured w/Torx Screws
- Cambered EZ Lube Axles w/1 Electric Brake
- Complete Break-A-Way System w/Charger
- 4 Tie Down Pockets
- Grommet Mount Sealed Lighting

Shown with Optional Slide In Ramps

Dimensions			
Length	A	B	C
14'	169-1/2"	103"	66-1/2"
16'	193-1/2"	115"	78-1/2"
18'	217-1/2"	127"	90-1/2"
20'	240"	138"	102"



MODEL#	WEIGHT	DESCRIPTION
70PI-14X	1,687#	83" x 14' Tandem Axle Trailer
70PI-16X	1,910#	83" x 16' Tandem Axle Trailer
70PI-18X	2,010#	83" x 18' Tandem Axle Trailer
70PI-20X	2,250#	83" x 20' Tandem Axle Trailer

OPTIONS

2-5/16" Stamped Coupler	Spare Tire (ST205/75-15 LR-C)
2-5/16" Forged Coupler	Tire Upgrade (ST225/75-15 LR-D)
2K Fold-Up Jack	Spare Tire Upgrade (ST225/75-15 LR-D)
7K Drop Leg Jack	LED Lighting
Electric Brakes on 2nd Axle	4' Slide In Ramps
Hydraulic Surge Brakes 1 Axle w/Toledo Actuator	4' Rampgate (7 W)
Hydraulic Surge Brakes 2 Axles w/Toledo Actuator	Gas Spring Assist Option - Rampgate
Spare Tire Mount	

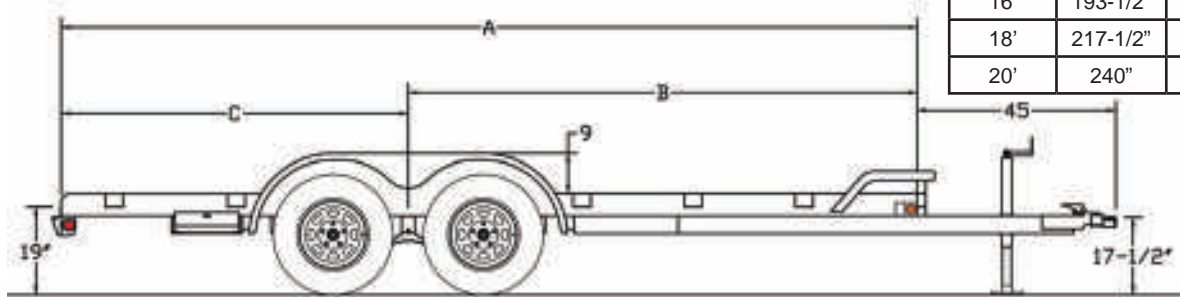
70CH Tandem Axle Car Hauler

G.V.W.R.	7,000#	AXLES	Two 3,500# EZ Lube w/1 Elec. Brake
G.A.W.R. (Ea. Axle)	3,500#	SUSPENSION	Multi-Leaf Spring with Equalizer
COUPLER	7K 2" Forged Coupler	TIRE	ST205/75-15 Load Range C
SAFETY CHAINS	1/4" Grd. 70 w/Safety Latch Hook (2 each)	WHEEL	15 x 5 White Spoke 5 Bolt
JACK	2K Top Wind (Bolted On)	FLOOR	2" Pine
TONGUE	4" Channel Fold Back Tongue	LIGHTS	D.O.T. Stop, Tail, Turn & Clearance
TOP RAIL	None	ELEC. PLUG	7-Way RV
FRAME	5" x 3" x 5/16" Angle	FINISH (Prep)	Steel is Cleaned to Ensure a Professional Smooth Finish.
CROSSMEMBERS	3" x 2" x 3/16" Angle	FINISH	Superior Quality Finish is Applied for a Highly Decorative and Protective Finish.
UPRIGHTS	None		
FENDERS	9" x 72" Tear Drop w/Back (Bolted On)		

Standard Features

- Safety Chains Attached w/Cold Rolled Eyelets
- Sand Foot on Jack
- Set Back Jack
- Lower Jack Support Plate
- Fold Back Tongue (14' and longer)
- Front Stop Rail
- Tie Down Pockets Sides & Front
- Floor Secured w/Torx Screws
- Cambered EZ Lube Axles w/1 Electric Brake
- Complete Break-A-Way System w/Charger
- Tear Drop Fenders
- Grommet Mount Sealed Lighting

Shown with Optional Slide In Ramps



Dimensions			
Length	A	B	C
12'	145-1/2"	85"	60-1/2"
14'	169-1/2"	103"	66-1/2"
16'	193-1/2"	115"	78-1/2"
18'	217-1/2"	127"	90-1/2"
20'	240"	138"	102"

MODEL#	WEIGHT	DESCRIPTION
70CH-12	1,680#	83" x 12' Tandem Axle Trailer
70CH-14	1,750#	83" x 14' Tandem Axle Trailer
70CH-16	1,800#	83" x 16' Tandem Axle Trailer
70CH-18	2,000#	83" x 18' Tandem Axle Trailer
70CH-20	2,200#	83" x 20' Tandem Axle Trailer

OPTIONS

2-5/16" Forged Coupler	Spare Tire (ST205/75-15 LR-C)
2K Fold-Up Jack	Tire Upgrade (ST225/75-15 LR-D)
7K Drop Leg Jack	Spare Tire Upgrade (ST225/75-15 LR-D)
Electric Brakes on 2nd Axle	LED Lighting
Hydraulic Surge Brakes 1 Axle w/ Toledo Actuator	4' Slide In Ramps
Hydraulic Surge Brakes 2 Axles w/Toledo Actuator	Dovetail in Existing Length (Available in 16', 18' & 20' only)
Spare Tire Mount	Car Hauler Raised Floor

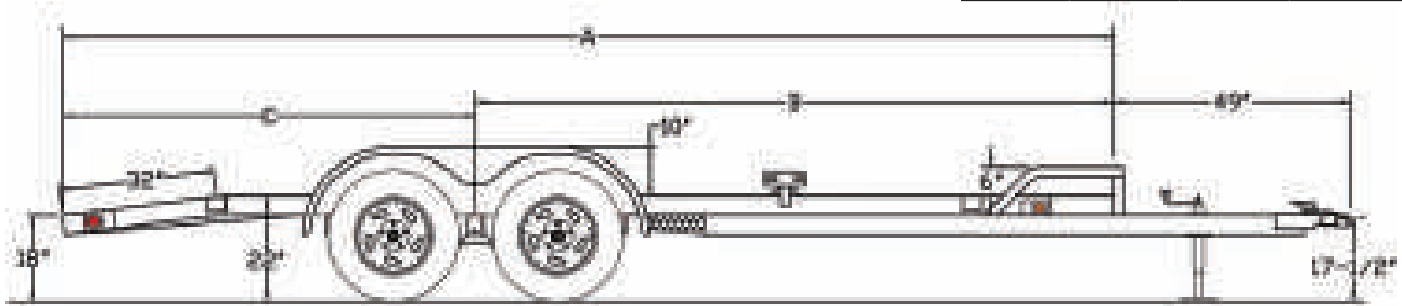
70DM Tandem Axle Diamond Back Car Hauler

G.V.W.R.	7,000#	AXLES	Two 3,500# EZ Lube w/1 Elec. Brake
G.A.W.R. (Ea. Axle)	3,500#	SUSPENSION	Multi-Leaf Spring
COUPLER	7K 2" Forged Coupler	TIRE	ST205/75-15 Load Range C
SAFETY CHAINS	1/4" Grd. 70 w/Safety Latch Hook (2 each)	WHEEL	15 x 6 Chrome Modular 5 Bolt
JACK	2K Fold-Up	FLOOR	1/8" Diamond Plate
TONGUE	4" x 2" x .188" Rectangular Tubing	LIGHTS	D.O.T. Stop, Tail, Turn & Clearance
TOP RAIL	None	ELEC. PLUG	7-Way RV
FRAME	4" x 2" x .188" Rectangular Tubing	FINISH (Prep)	Steel is Cleaned to Ensure a Professional Smooth Finish.
CROSSMEMBERS	3" x 2" x 3/16" Angle	FINISH	Superior Quality Finish is Applied for a Highly Decorative and Protective Finish.
UPRIGHTS	None		
FENDERS	9" x 72" Tear Drop w/Back (Bolted On)		

Standard Features

- Safety Chains Attached w/Cold Rolled Eyelets
- Fold-Up Jack
- Fold Back Tongue
- Chamfered Front w/Stop Rail
- 1/8" Diamond Plate Floor w/Four Recessed D-Rings
- Cambered EZ Lube Axles w/1 Electric Brake
- Complete Break-A-Way System
- Chrome Wheels w/Chrome Caps & Lugnuts
- Spare Tire Mount
- Dovetail
- 5' Long x 20" Wide Diamond Plate Ramps Slide-In from Rear
- Grommet Mount Sealed Lighting

Dimensions			
Length	A	B	C
18'	218"	132"	86"
20'	240"	150"	90"



MODEL#	WEIGHT	DESCRIPTION
70DM-18	2,250#	83" x 18' Tandem Axle Trailer
70DM-20	2,360#	83" x 20' Tandem Axle Trailer

OPTIONS

Electric Brakes on 2nd Axle	Steel Rock Shield
Hydraulic Surge Brakes 1 Axle w/Toledo Actuator	Aluminum Rock Shield
Hydraulic Surge Brakes 2 Axles w/Toledo Actuator	Aluminum A-Frame Toolbox
Spare Tire (ST205/75-15 LR-C, Chrome)	Aluminum DP Fenders
Tire Upgrade (ST225/75D-15 LR-D, Chrome)	Running Board Pkg. w/Aluminum Inserts and Trim
Spare Tire Upgrade (ST225/75D-15 LR-D, Chrome)	Race Car Box 83"w x 41"t x 35"d (Changes Front to Square)
LED Lighting	

70TV Tandem Axle Vanguard

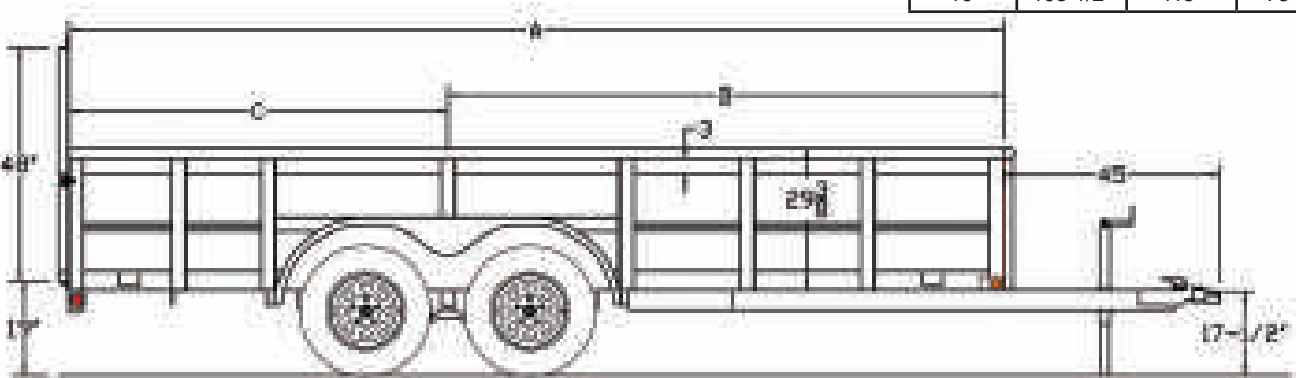
G.V.W.R.	7,000#	AXLES	Two 3,500# EZ Lube w/1 Elec. Brake
G.A.W.R. (Ea. Axle)	3,500#	SUSPENSION	Multi-Leaf Spring
COUPLER	7K 2" Forged Coupler	TIRE	ST205/75-15 Load Range C
SAFETY CHAINS	1/4" Grd. 70 w/Safety Latch Hook (2 each)	WHEEL	15 x 5 White Spoke 5 Bolt
JACK	2K Top Wind-Set Back (Bolted On)	FLOOR	2" Pine
TONGUE	4" Channel Fold Back Tongue	LIGHTS	D.O.T. Stop, Tail, Turn & Clearance
TOP RAIL	2-3/8" Pipe Top Rail	ELEC. PLUG	7-Way RV
FRAME	4" x 3" x 1/4" Angle	FINISH (Prep)	Steel is Cleaned to Ensure a Professional Smooth Finish.
CROSSMEMBERS	3" x 2" x 3/16" Angle	FINISH	Superior Quality Finish is Applied for a Highly Decorative and Protective Finish.
UPRIGHTS	3" x 2" x 3/16" Angle		
FENDERS	9" x 72" Tear Drop		

Standard Features

- Forged Coupler
- Safety Chains Attached w/Cold Rolled Eyelets
- Sand Foot on Jack
- Set Back Jack
- Lower Jack Support Plate
- Fold Back Tongue (14' and longer)
- 83" Wide (Inside)
- 29-3/8" 16 Ga. Sides w/24" V-Crimped Steel Panels & 2-1/2" Opening
- 2-3/8" Pipe Top Rail
- Floor Secured w/Torx Screws
- 4 Tie Down Loops Inside
- Cambered EZ Lube Axles w/1 Electric Brake
- Complete Break-A-Way System w/Charger
- Grommet Mount Sealed Lighting

Shown with Optional Rampgate

Dimensions			
Length	A	B	C
12'	145-1/2"	85"	60-1/2"
14'	169-1/2"	103"	66-1/2"
16'	193-1/2"	115"	78-1/2"



MODEL#	WEIGHT	DESCRIPTION
70TV-12	1,810#	83" x 12' Tandem Axle Vanguard
70TV-14	1,990#	83" x 14' Tandem Axle Vanguard
70TV-16	2,010#	83" x 16' Tandem Axle Vanguard

OPTIONS

2-5/16" Stamped Coupler	Tire Upgrade (ST225/75-15 LR-D)
2-5/16" Forged Coupler	Spare Tire Upgrade (ST225/75-15 LR-D)
2K Fold-Up Jack	LED Lighting
Electric Brakes on 2nd Axle	4' Rampgate (7 W)
Hydraulic Surge Brakes 1 Axle w/Toledo Actuator	Gas Spring Assist Option - Rampgate
Hydraulic Surge Brakes 2 Axles w/Toledo Actuator	Removable Landscape Box
Spare Tire Mount	Tool Holders (each)
Spare Tire (ST205/75-15 LR-C)	

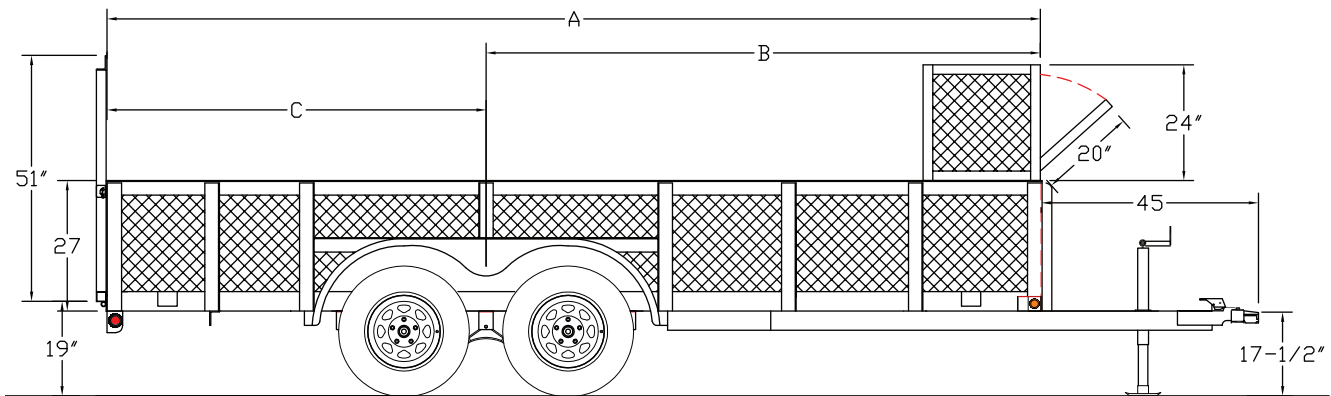
70LR Tandem Axle Landscape Trailer

G.V.W.R.	7,000#	AXLES	Two 3,500# EZ Lube w/1 Electric Brake
G.A.W.R. (Ea. Axle)	3,500#	SUSPENSION	Multi-Leaf Spring
COUPLER	7K 2" Forged Coupler	TIRE	ST205/75-15 Load Range C
SAFETY CHAINS	1/4" Grd. 70 w/Safety Latch Hook (2 each)	WHEEL	15 x 5 White Spoke 5 Bolt
JACK	2K Top Wind-Set Back (Bolted On)	FLOOR	2" Pine
TONGUE	4" Channel Fold Back Tongue	LIGHTS	D.O.T. Stop, Tail, Turn & Clearance
TOP RAIL	3" x 2" x 3/16" Angle	ELEC. PLUG	7-Way RV
FRAME	4" x 3" x 1/4"	FINISH (Prep)	Steel is Cleaned to Ensure a Professional Smooth Finish.
CROSSMEMBERS	3" x 2" x 3/16" Angle	FINISH	Superior Quality Finish is Applied for a Highly Decorative and Protective Finish.
UPRIGHTS	3" x 2" x 3/16" Angle		
FENDERS	9" x 72" Tear Drop		

Standard Features

- Safety Chains Attached w/Cold Rolled Eyelets
- Sand Foot on Jack
- Set Back Jack
- Fold Back Tongue (14' and longer)
- 24" x 24" x 87" Lockable Landscape Box Mounted on Front of Trailer
- 2' Sides Enclosed w/Expanded Metal
- 5 Tool Holders on Rear of Landscape Box
- Floor Secured w/Torx Screws
- Cambered EZ Lube Axles w/1 Electric Brake
- Complete Break-A-Way System w/Charger
- 4' Tubular Rampgate w/Expanded Metal & 5 Center Uprights
- Grommet Mount Sealed Lighting

Dimensions			
Length	A	B	C
14'	169-1/2"	103"	66-1/2"
16'	193-1/2"	115"	78-1/2"



MODEL#	WEIGHT	DESCRIPTION
70LR-14	1,990#	83" x 14' Tandem Axle Landscape
70LR-16	2,400#	83" x 16' Tandem Axle Landscape

OPTIONS

2-5/16" Stamped Coupler	Spare Tire Mount
2-5/16" Forged Coupler	Spare Tire (ST205/75-15 LR-C)
2K Fold-Up Jack	Tire Upgrade (ST225/75-15 LR-D)
Electric Brakes on 2nd Axle	Spare Tire Upgrade (ST225/75-15 LR-D)
Hydraulic Surge Brakes on 1 Axle w/Toledo Actuator	LED Lighting
Hydraulic Surge Brakes on 2 Axles w/Toledo Actuator	Gas Spring Assist Option - Rampgate
2' Side Extensions w/Expanded Metal (Bolt on) - 14'	Weed Eater Racks
2' Side Extensions w/Expanded Metal (Bolt on) - 16'	



Equipment Trailers



www.bigtextrailers.com

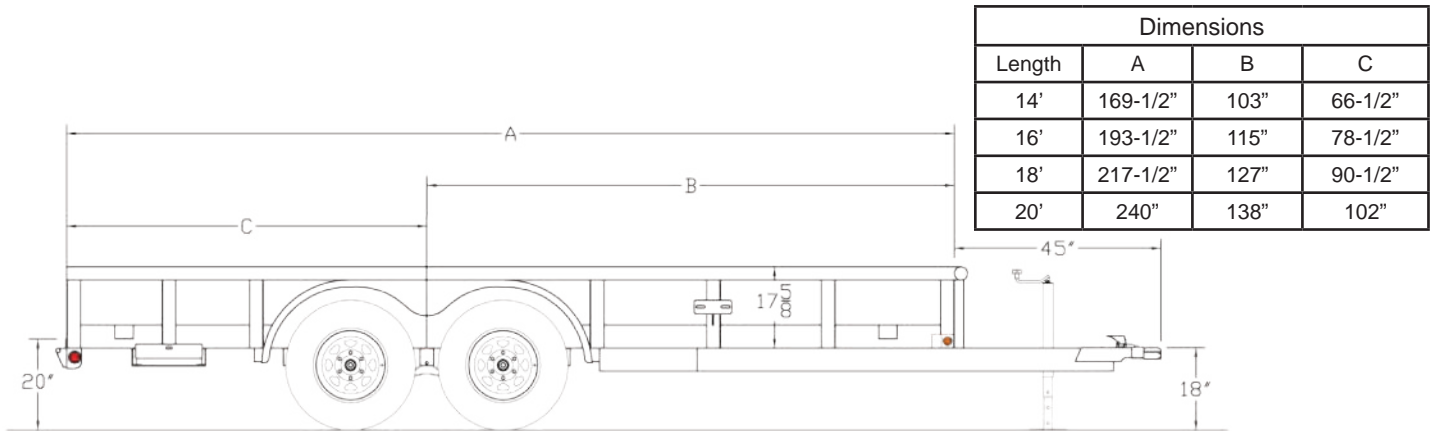
TOUGH AS A TEXAS LONGHORN

10PI Tandem Axle Pipe Utility

G.V.W.R.	9,990#	AXLES	Two 5,200# EZ Lube w/Electric Brakes
G.A.W.R. (Ea. Axle)	5,080#	SUSPENSION	Multi-Leaf Spring w/Equalizer
COUPLER	Forged 2-5/16"	TIRE	ST225/75-15 Load Range D
SAFETY CHAINS	1/4" Grd. 70 w/Safety Latch Hook (2 each)	WHEEL	15 x 6 White Spoke 6 Bolt
JACK	7K Drop Leg (Bolted On)	FLOOR	2" Pine
TONGUE	5" Channel Fold Back	LIGHTS	D.O.T. Stop, Tail, Turn & Clearance
TOP RAIL	2-7/8" Pipe Square Back	ELEC. PLUG	7-Way RV
FRAME	5" x 3" x 1/4" Angle	FINISH (Prep)	Steel is Cleaned to Ensure a Professional Smooth Finish.
CROSSMEMBERS	3" x 2" x 3/16" Angle	FINISH	Superior Quality Finish is Applied for a Highly Decorative and Protective Finish.
UPRIGHTS	16" Tall - 3" x 2" x 3/16" Angle		
FENDERS	9" x 72" Teardrop, Smooth w/Back		

Standard Features

- Forged Coupler
- Safety Chains Attached w/Cold Rolled Eyelets
- Set Back 7K Drop Leg Jack
- Lower Jack Support Plate
- Fold Back Tongue (14' and longer)
- Reflective Marker Tape
- 4 Tie Down Pockets
- 2-7/8" Pipe Top Rail Capped w/Self Sealing Plugs
- Cambered EZ Lube Axles w/Brake on Each
- Complete Break-A-Way System w/Charger
- Spare Tire Mount
- 4' Slide-In Ramps (Channel)
- Grommet Mount Sealed Lighting



MODEL#	WEIGHT	DESCRIPTION
10PI-14	1960#	83" x 14' Tandem Axle
10PI-16	2,110#	83" x 16' Tandem Axle
10PI-18	2,270#	83" x 18' Tandem Axle
10PI-20	2,530#	83" x 20' Tandem Axle

OPTIONS

Adjustable Pintle in Channel	LED Lighting
12K Drop Leg Jack - Top Wind	Rampgate in Lieu of Ramps
Hydraulic Surge Brakes 2 Axles w/Adjustable Demco Actuator	Gas Spring Assist Option - Rampgate
Spare Tire (ST225/75-15 LR-D)	4' Heavy Duty Integrated Ramp Gate w/Gas Spring Assist in Lieu of Ramps
Tire Upgrade (ST235 D16 LR-E) - Raises Side Rails by 2"	5' Stand Up Ramps in Lieu of Slide In
Spare Tire Upgrade (ST235 D-16 LR-E)	

10CC Tandem Axle Equipment

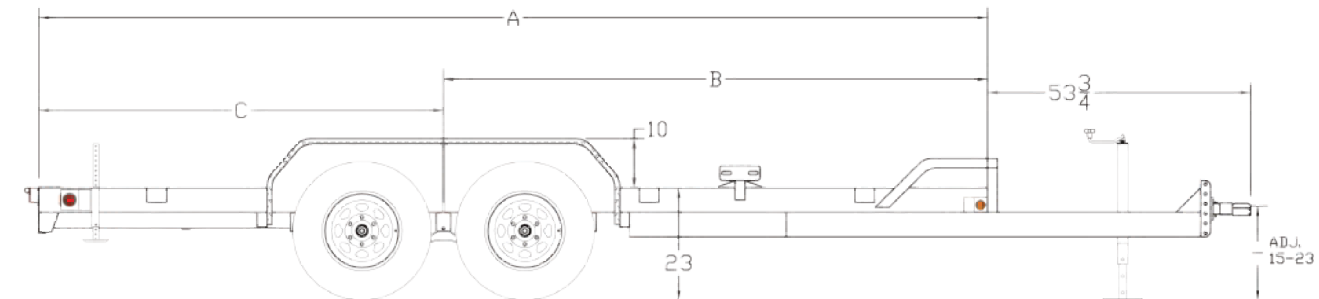
G.V.W.R.	9,990#	AXLES	Two 5,200# EZ Lube w/Electric Brakes
G.A.W.R. (Ea. Axle)	5,080#	SUSPENSION	Multi-Leaf Spring w/Equalizer
COUPLER	Adjustable Forged 2-5/16"	TIRE	ST225/75-15 Load Range D
SAFETY CHAINS	1/4" Grd. 70 w/Safety Latch Hook (2 each)	WHEEL	15 x 6 White Spoke 6 Bolt
JACK	7K Drop Leg Jack - Top Wind (Bolted On)	FLOOR	2" Pine
TONGUE	5" Channel Fold Back	LIGHTS	D.O.T. Stop, Tail, Turn & Clearance
TOP RAIL	None	ELEC. PLUG	7-Way RV
FRAME	5" Channel	FINISH (Prep)	Steel is Cleaned to Ensure a Professional Smooth Finish.
CROSSMEMBERS	3" Channel	FINISH	Superior Quality Finish is Applied for a Highly Decorative and Protective Finish.
UPRIGHTS	None		
FENDERS	9" x 72" Diamond Plate w/Back (Removable)		

Standard Features

- Adjustable Forged Coupler
- Safety Chains Attached w/Cold Rolled Eyelets
- Fold Back Tongue
- 2" Tubular Stop Rail
- Tie Down Pockets - Sides & Rear
- Floor Secured w/Torx Screws
- Cambered EZ Lube Axles w/Electric Brake on Each
- Complete Break-A-Way System w/Charger
- Reflective Marker Tape
- Grommet Mount Sealed Lighting

Shown with Optional Spare Mount

Dimensions			
Length	A	B	C
16'	193-1/2"	111"	82-1/2"
18'	217-1/2"	127"	90-1/2"



MODEL#	WEIGHT	DESCRIPTION
10CC-16	2,400#	83" x 16' Tandem Axle Equipment Trailer
10CC-18	2,440#	83" x 18' Tandem Axle Equipment Trailer

OPTIONS

Spare Tire (ST225/75-15 LR-D)	5' Rear Slide In Ramps
Spare Tire Mount	5' Stand Up Ramps
LED Lighting	

STANDARD MODEL - NO OTHER OPTIONS AVAILABLE

10ET

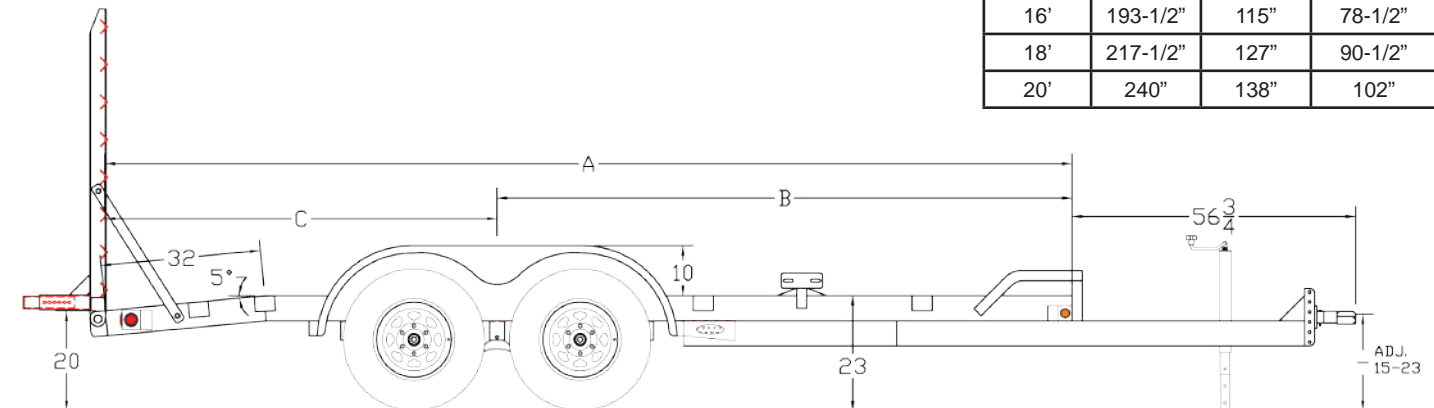
Pro Series Tandem Axle Equipment

G.V.W.R.	9,990#	AXLES	Two 5,200# EZ Lube w/Electric Brakes
G.A.W.R. (Ea. Axle)	5,080#	SUSPENSION	Multi-Leaf Spring w/Equalizer
COUPLER	Adjustable Forged 2-5/16"	TIRE	ST225/75-15 Load Range D
SAFETY CHAINS	1/4" Grd. 70 w/Safety Latch Hook (2 each)	WHEEL	15 x 6 White Spoke 6 Bolt
JACK	7K Drop Leg (Bolted On)	FLOOR	2" Pine
TONGUE	5" Channel Fold Back	LIGHTS	D.O.T. Stop, Tail, Turn & Clearance
TOP RAIL	None	ELEC. PLUG	7-Way RV
FRAME	5" Channel	FINISH (Prep)	Steel is Cleaned to Ensure a Professional Smooth Finish.
CROSSMEMBERS	3" Channel	FINISH	Superior Quality Finish is Applied for a Highly Decorative and Protective Finish.
UPRIGHTS	None		
FENDERS	9" x 72" Tear Drop w/Back (Removable)		

Standard Features

- Adjustable Forged Coupler
- Safety Chains Attached w/Cold Rolled Eyelets
- 7K Drop Leg Jack
- Lower Jack Support Plate
- Fold Back Tongue (14' and longer)
- Reflective Marker Tape
- Tie Down Pockets, Sides & Front
- 2" Tubular Stop Rail
- Floor Secured w/Torx Screws
- Cambered EZ Lube Axles w/Electric Brake on Each
- Complete Break-A-Way System w/Charger
- Spare Tire Mount
- 32" Dovetail
- 5' Stand-Up Ramps w/Support Leg
- Grommet Mount Sealed Lighting

Dimensions			
Length	A	B	C
16'	193-1/2"	115"	78-1/2"
18'	217-1/2"	127"	90-1/2"
20'	240"	138"	102"



MODEL#	WEIGHT	DESCRIPTION
10ET-16	2,300#	83" x 16' Tandem Axle Equipment Trailer
10ET-18	2,460#	83" x 18' Tandem Axle Equipment Trailer
10ET-20	2,660#	83" x 20' Tandem Axle Equipment Trailer

OPTIONS

12K Drop Leg Jack - Top Wind	Spare Tire (ST225/75-15 LR-D)
12K Drop Leg Jack - Side Wind Against Bed	Tire Upgrade (ST235 D-16 LR-E)
Hydraulic Surge Brakes 2 Axles	Spare Tire Upgrade (ST235 D-16 LR-E)
Gooseneck in Lieu of Bumper Pull	LED Lighting

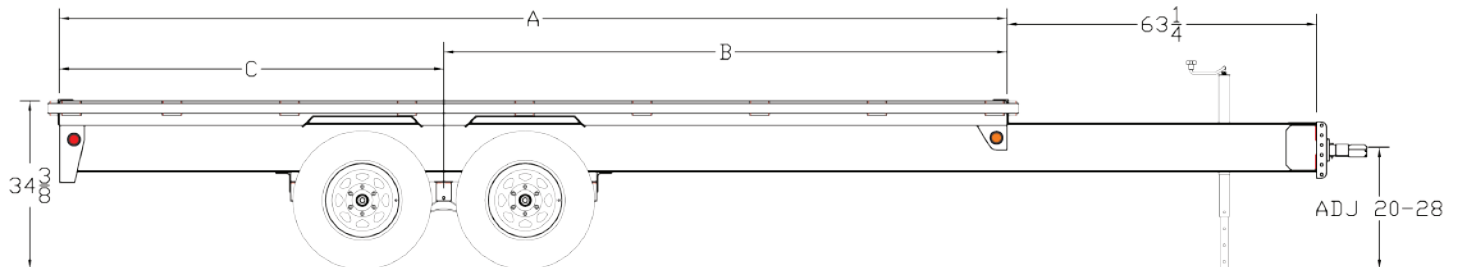
100A Tandem Axle Over The Axle

G.V.W.R.	9,990#	AXLES	Two 5,200# EZ Lube w/Electric Brakes
G.A.W.R. (Ea. Axle)	5,080#	SUSPENSION	Multi-Leaf Spring w/Equalizer
COUPLER	Adjustable Forged 2-5/16"	TIRE	ST225/75-15 Load Range D
SAFETY CHAINS	1/4" Grd. 70 w/Safety Latch Hook (2 each)	WHEEL	15 x 6 White Spoke 6 Bolt
JACK	7K Drop Leg - Top Wind (Bolted On)	FLOOR	2" Pine
TONGUE	Integral w/Frame	LIGHTS	D.O.T. Stop, Tail, Turn & Clearance
TOP RAIL	None	ELEC. PLUG	7-Way RV
FRAME	10" I-Beam	FINISH (Prep)	Steel is Cleaned to Ensure a Professional Smooth Finish.
CROSSMEMBERS	3" x 3.5" Channel	FINISH	Superior Quality Finish is Applied for a Highly Decorative and Protective Finish.
SIDE RAILS	5" X 3" Angle w/Stake Pockets & Rubrail on Both Sides, Front & Rear		

Standard Features

- Adjustable Forged Coupler
- Stake Pockets & Rubrail All 4-Sides
- Complete Break-A-Way System w/Charger
- Safety Chains Attached w/Cold Rolled Eyelets
- Reflective Marker Tape
- Spare Tire Mount
- 7K Drop Leg Jack (Bolted On)
- Floor Secured w/Torx Screws
- Grommet Mount Sealed Lighting
- Cambered EZ Lube Axles w/Electric Brake on Each

Dimensions			
Length	A	B	C
16'	193-1/2"	115"	78-1/2"
18'	217-1/2"	127"	90-1/2"
20'	240"	138"	102"



MODEL#	WEIGHT	DESCRIPTION
100A-16	3,000#	102" x 16' Tandem Over The Axle Trailer
100A-18	3,110#	102" x 18' Tandem Over The Axle Trailer
100A-20	3,225#	102" x 20' Tandem Over The Axle Trailer

OPTIONS

Adjustable Pintle in Channel	Spare Tire Upgrade (ST235 D-16 LR-E)
12K Drop Leg Jack - Top Wind	LED Lighting
Hydraulic Surge Brakes 2 Axles	8' Slide In Ramps
Spare Tire (ST225/75-15 LR-D)	4' Dovetail w/5' Stand Up Ramps (in existing length)
Tire Upgrade (ST235 D-16 LR-E)	

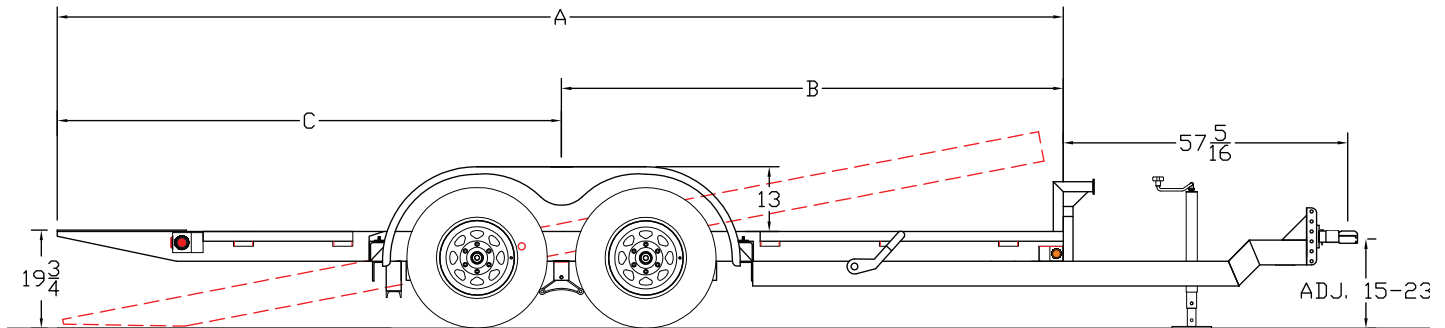
10FT Pro Series Tilt Bed Equipment

G.V.W.R.	9,990#	AXLES	Two 5,200# , 4" Drop EZ Lube w/Electric Brakes
G.A.W.R. (Ea. Axle)	5,080#	SUSPENSION	Multi-Leaf Spring with Equalizer
COUPLER	Adjustable Forged 2-5/16"	TIRE	ST225/75-15 Load Range D
SAFETY CHAINS	1/4" Grd. 70 w/Safety Latch Hook (2 each)	WHEEL	15 x 6 White Spoke 6-Bolt
JACK	7K Drop Leg Jack (Bolted On)	FLOOR	2" Pine
TONGUE	5" Channel Fold Back	LIGHTS	D.O.T. Stop, Tail, Turn & Clearance
TOP RAIL	None	ELEC. PLUG	7-Way RV
FRAME	6" Channel	FINISH (Prep)	Steel is Cleaned to Ensure a Professional Smooth Finish.
CROSSMEMBERS	3" Channel, 3" Sq. Tube	FINISH	Superior Quality Finish is Applied for a Highly Decorative and Protective Finish.
UPRIGHTS	None		
FENDERS	9" x 72" Teardrop w/Back (Bolted On)		

Standard Features

- Adjustable Forged Coupler
- Fold Back Tongue w/Raised Coupler
- Safety Chains Attached w/Cold Rolled Eyelets
- 7K Drop Leg Jack (Bolted On)
- Lower Jack Support Plate
- Unique Two Piece Main Frame
- 102" Wide Overall, 83" Width Between Fenders
- Tilt Platform is 75" Wide
- Hydraulic Dampening System
- Stake Pockets and Rubrail
- Reflective Marker Tape
- Cambered 4" Drop EZ Lube Axles w/Electric Brake on Each
- Complete Break-A-Way System w/Charger
- Spare Tire Mount
- 1/4" Diamond Plate Knife Edge
- Grommet Mount Sealed Lighting

Dimensions				
Length	A	B	C	D
16'	202-1/2"	101"	101-1/2"	13°
18'	225-1/2"	113"	112-1/2"	12°
20'	249-1/2"	128"	121-1/2"	11°



MODEL#	WEIGHT	DESCRIPTION
10FT-16	2,850#	83" x 16' Tilt Trailer
10FT-18	3,070#	83" x 18' Tilt Trailer
10FT-20	3,120#	83" x 20' Tilt Trailer

OPTIONS

Adjustable Pintle in Channel	Spare Tire (ST225/75-15 LR-D)
12K Drop Leg Jack - Top Wind	Tire Upgrade (ST235 D-16 LR-E)
12K Drop Leg Jack - Side Wind Against Bed	Spare Tire Upgrade (ST235 D-16 LR-E)
Hydraulic Surge Brakes 2 Axles	LED Lighting

10TL

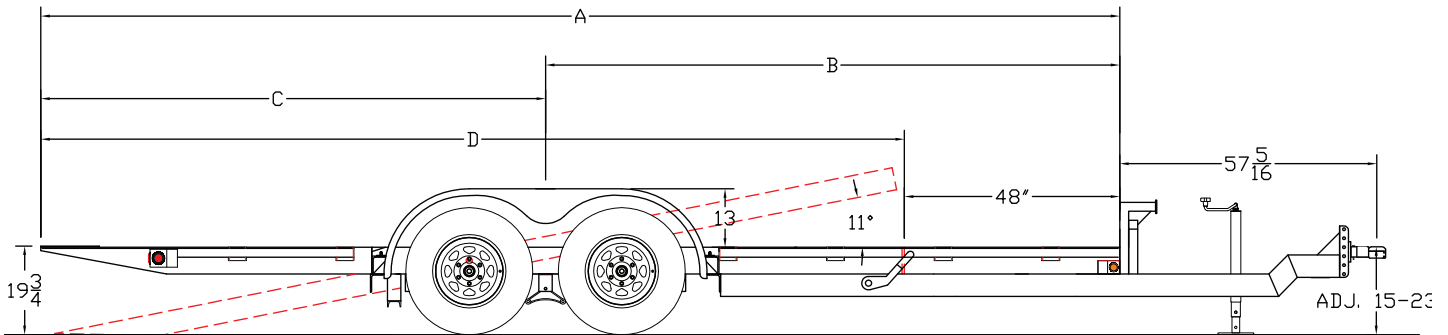
Pro Series Tilt Bed Equipment

G.V.W.R.	9,990#	AXLES	Two 5,200#, 4" Drop EZ Lube w/Electric Brakes
G.A.W.R. (Ea. Axle)	5,080#	SUSPENSION	Multi-Leaf Spring w/Equalizer
COUPLER	Adjustable Forged 2-5/16"	TIRE	ST225/75-15 Load Range D
SAFETY CHAINS	1/4" Grd. 70 w/Safety Latch Hook (2 each)	WHEEL	15" White, Spoke 6-Bolt
JACK	7K Drop Leg Jack (Bolted On)	FLOOR	2" Pine
TONGUE	5" Channel Fold Back	LIGHTS	D.O.T. Stop, Tail, Turn & Clearance
TOP RAIL	None	ELEC. PLUG	7-Way RV
FRAME	6" Channel	FINISH (Prep)	Steel is Cleaned to Ensure a Professional Smooth Finish.
CROSSMEMBERS	3" Channel, 3" Sq. Tube	FINISH	Superior Quality Finish is Applied for a Highly Decorative and Protective Finish.
FENDERS	9" x 72" Teardrop w/Back (Bolted On)		

Standard Features

- Adjustable Forged Coupler
- Fold Back Tongue w/Raised Coupler
- Safety Chains Attached w/Cold Rolled Eyelets
- 7K Drop Leg Jack (Bolted On)
- Lower Jack Support Plate
- Unique Two Piece Main Frame
- 102" Wide Overall, 83" Width Between Fenders
- Tilt Platform is 75" Wide
- Hydraulic Dampening System
- Stake Pockets and Rubrail
- Reflective Marker Tape
- Floor Secured w/Torx Screws
- Cambered 4" Drop EZ Lube Axles w/Electric Brake on Each
- Complete Break-A-Way System w/Charger
- Spare Tire Mount
- 1/4" Diamond Plate Knife Edge
- Grommet Mount Sealed Lighting

Dimensions				
Length	A	B	C	D
20'	240-1/2"	128"	112-1/2"	192"



MODEL#	WEIGHT	DESCRIPTION
10TL-20	3,065#	83" x 20' (16' + 4') Tilt Trailer

OPTIONS

Adjustable Pintle in Channel	Spare Tire (ST225/75-15 LR-D)
12K Drop Leg Jack - Top Wind	Tire Upgrade (ST235 D-16 LR-E)
12K Drop Leg Jack - Side Wind Against Bed	Spare Tire Upgrade (ST235 D-16 LR-E)
Hydraulic Surge Brakes 2 Axles	LED Lighting

12PI

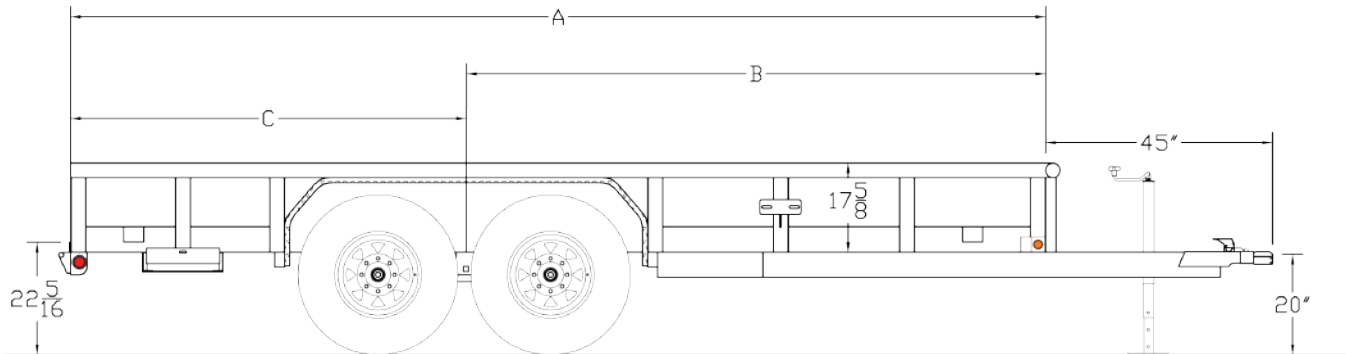
Heavy Duty Pipe Tandem Axle

G.V.W.R.	12,000#	AXLES	Two 6,000# EZ Lube w/Electric Brakes
G.A.W.R. (Ea. Axle)	6,000#	SUSPENSION	Multi-Leaf Slipper Spring w/Equalizer
COUPLER	Forged 2-5/16"	TIRE	ST235/80 D-16 Load Range E
SAFETY CHAINS	1/4" Grd. 70 w/Safety Latch Hook (2 each)	WHEEL	16 x 6 White Spoke 8 Bolt
JACK	7K Drop Leg Jack (Bolted On)	FLOOR	2" Pine
TONGUE	5" Channel Fold Back	LIGHTS	D.O.T. Stop, Tail, Turn & Clearance
TOP RAIL	2-7/8" Pipe Square Back	ELEC. PLUG	7-Way RV
FRAME	5" x 3" x 1/4" Angle	FINISH (Prep)	Steel is Cleaned to Ensure a Professional Smooth Finish.
CROSSMEMBERS	3" x 2" x 3/16" Angle	FINISH	Superior Quality Finish is Applied for a Highly Decorative and Protective Finish.
UPRIGHTS	16" Tall - 3" x 2" x 3/16" Angle		
FENDERS	9" x 72" Double Broke Diamond Plate w/Back		

Standard Features

- Forged Coupler
- Safety Chains Attached w/Cold Rolled Eyelets
- 7K Drop Leg Jack
- Lower Jack Support Plate
- Fold Back Tongue (14' and longer)
- Reflective Marker Tape
- 4 Tie Down Pockets, Sides & Rear
- 2-7/8" Pipe Top Rail Capped w/Self Sealing Plugs
- Floor Secured w/Torx Screws
- Cambered EZ Lube Axles w/Electric Brake on Each
- Complete Break-A-Way System w/Charger
- Spare Tire Mount (Side)
- 4' Slide-In Ramps (Channel)
- Grommet Mount Sealed Lighting

Dimensions			
Length	A	B	C
14'	169-1/2"	103"	66-1/2"
16'	193-1/2"	115"	78-1/2"
18'	217-1/2"	127"	90-1/2"
20'	240"	138"	102"



MODEL#	WEIGHT	DESCRIPTION
12PI-14	2,360#	83" x 14' Tandem Axle
12PI-16	2,470#	83" x 16' Tandem Axle
12PI-18	2,560#	83" x 18' Tandem Axle
12PI-20	2,670#	83" x 20' Tandem Axle

OPTIONS

Adjustable Pintle in Channel	LED Lighting
12K Drop Leg Jack - Top Wind	Rampgate in Lieu of Ramps
Hydraulic Surge Brakes 2 Axles	Gas Spring Assist Option - Rampgate
Spare Tire (ST235 D-16 LR-E)	4' Heavy Duty Integrated Ramp Gate w/Gas Spring Assist in Lieu of Slide In Ramps
Tire Upgrade (ST235/80R16 LR-E)	5' Stand up Ramps in Lieu of Slide In
Spare Tire Upgrade (ST235/80 R16 LR-E)	

12ET

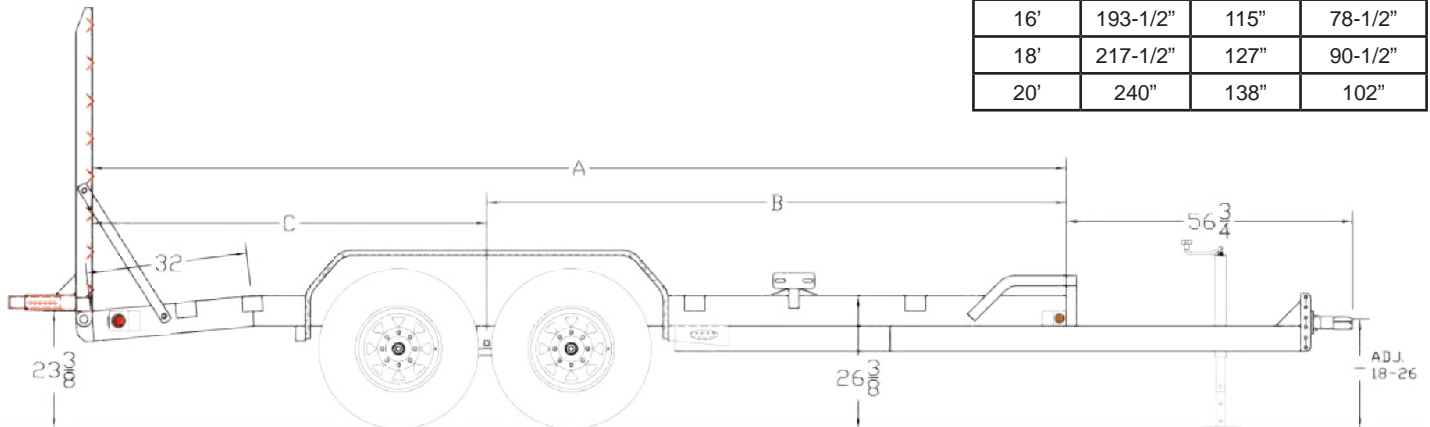
Pro Series Tandem Axle Equipment

G.V.W.R.	12,000#	AXLES	Two 6,000# EZ Lube w/Electric Brakes
G.A.W.R. (Ea. Axle)	6,000#	SUSPENSION	Multi-Leaf Slipper Spring w/Equalizer
COUPLER	Adjustable Forged 2-5/16"	TIRE	ST235/80 D-16 Load Range E
SAFETY CHAINS	1/4" Grd. 70 w/Safety Latch Hook (2 each)	WHEEL	16 x 6 White Spoke 8 Bolt
JACK	7K Drop Leg Jack (Bolted On)	FLOOR	2" Pine
TONGUE	5" Channel Fold Back	LIGHTS	D.O.T. Stop, Tail, Turn & Clearance
TOP RAIL	None	ELEC. PLUG	7-Way RV
FRAME	6" Channel	FINISH (Prep)	Steel is Cleaned to Ensure a Professional Smooth Finish.
CROSSMEMBERS	3" Channel	FINISH	Superior Quality Finish is Applied for a Highly Decorative and Protective Finish.
UPRIGHTS	None		
FENDERS	9" x 72" Diamond Plate w/Back (Removable)		

Standard Features

- Adjustable Forged Coupler
- Safety Chains Attached w/Cold Rolled Eyelets
- 7K Drop Leg Jack
- Lower Jack Support Plate
- Fold Back Tongue w/Set Back (14' and longer)
- Reflective Marker Tape
- Tie Down Pockets, Sides & Front
- Square Front w/Diamond Plate
- 2" Tubular Stop Rail
- Floor Secured w/Torx Screws
- Cambered EZ Lube Axles w/Electric Brake on Each
- Complete Break-A-Way System w/Charger
- Spare Tire Mount
- 32" Dovetail
- 5' Stand-Up Ramps w/Support Leg
- Grommet Mount Sealed Lighting

Dimensions			
Length	A	B	C
16'	193-1/2"	115"	78-1/2"
18'	217-1/2"	127"	90-1/2"
20'	240"	138"	102"



MODEL#	WEIGHT	DESCRIPTION
12ET-16	2,580#	83" x 16' Tandem Axle Equipment Trailer
12ET-18	2,640#	83" x 18' Tandem Axle Equipment Trailer
12ET-20	2,700#	83" x 20' Tandem Axle Equipment Trailer

OPTIONS

Adjustable Pintle in Channel	Tire Upgrade (ST235/80 R-16 LR-E)
12K Drop Leg Jack - Top Wind	Spare Tire Upgrade (ST235/80 R-16 LR-E)
12K Drop Leg Jack - Side Wind Against Bed	LED Lighting
Hydraulic Surge Brakes 2 Axles	Gooseneck in Lieu of Bumper Pull
Spare Tire (ST235/80 D-16 LR-E)	

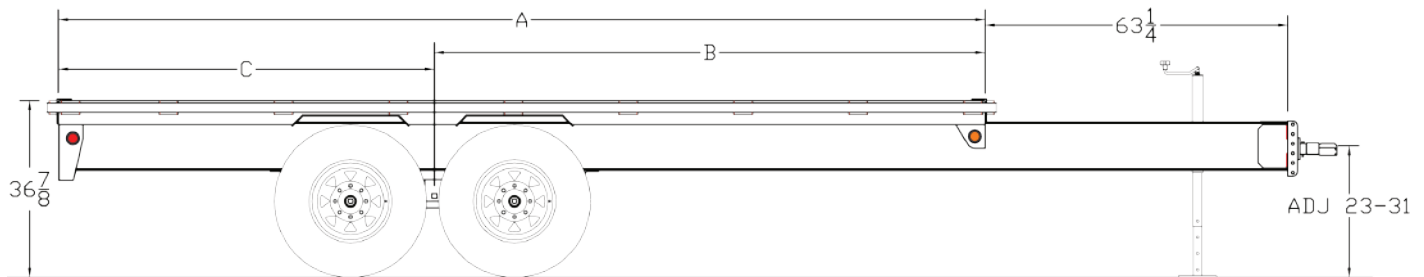
120A Tandem Axle Over The Axle

G.V.W.R.	12,000#	AXLES	Two 6,000# EZ Lube w/Electric Brakes
G.A.W.R. (Ea. Axle)	6,000#	SUSPENSION	Multi-Leaf Slipper Spring w/Equalizer
COUPLER	Adjustable Forged 2-5/16"	TIRE	235/80 D-16 Load Range E
SAFETY CHAINS	1/4" Grd. 70 w/Safety Latch Hook (2 each)	WHEEL	16 x 6 White Spoke 8 Bolt
JACK	7K Drop Leg Jack (Bolted On)	FLOOR	2" Pine
TONGUE	Integral w/Frame	LIGHTS	D.O.T. Stop, Tail, Turn & Clearance
TOP RAIL	None	ELEC. PLUG	7-Way RV
FRAME	10" I-Beam	FINISH (Prep)	Steel is Cleaned to Ensure a Professional Smooth Finish.
CROSSMEMBERS	3" Channel	FINISH	Superior Quality Finish is Applied for a Highly Decorative and Protective Finish.
SIDE RAILS	5" X 3" x 1/4" Angle w/Stake Pockets & Rubrail on Both Sides, Front & Rear		

Standard Features

- Adjustable Forged Coupler in Channel
- Safety Chains Attached w/Cold Rolled Eyelets
- 7K Drop Leg Jack (Bolted On)
- Rub Rail w/Stake Pockets
- Reflective Marker Tape
- Floor Secured w/Torx Screws
- Cambered EZ Lube Axles w/Electric Brake on Each
- Complete Break-A-Way System w/Charger
- Spare Tire Mount
- Rubber Mounted Sealed Lighting

Dimensions			
Length	A	B	C
16'	193-1/2"	115"	78-1/2"
18'	217-1/2"	127"	90-1/2"
20'	240"	138"	102"



MODEL#	WEIGHT	DESCRIPTION
120A-16	3,100#	102" x 16' Tandem Over The Axle Trailer
120A-18	3,210#	102" x 18' Tandem Over The Axle Trailer
120A-20	3,325#	102" x 20' Tandem Over The Axle Trailer

OPTIONS

Adjustable Pintle in Channel	Spare Tire Upgrade (ST235/80 R-16 LR-E)
12K Drop Leg Jack - Top Wind	LED Lighting
Hydraulic Surge Brakes 2 Axles	8' Slide In Ramps
Spare Tire (235/80 D-16 LR-E)	4' Dovetail w/5' Stand Up Ramps (in existing length)
Tire Upgrade (ST235/80 R-16 LR-E)	

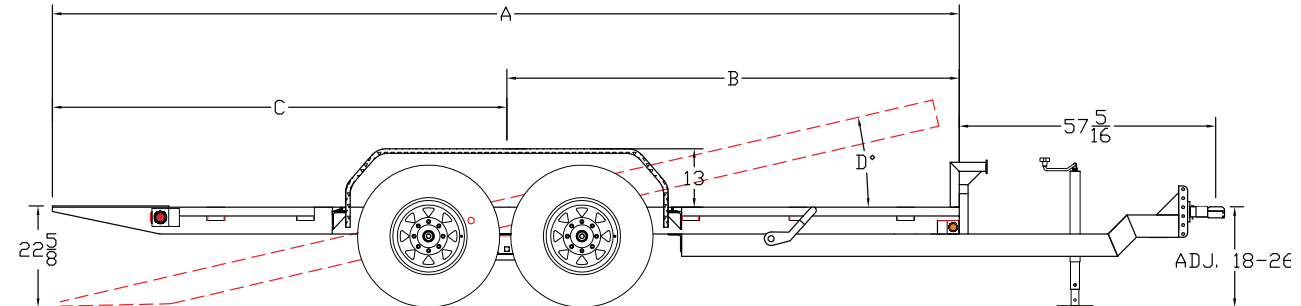
12FT Pro Series Tilt Bed Equipment

G.V.W.R.	12,000#	AXLES	Two 6,000#, 4" Drop EZ Lube w/Electric Brakes
G.A.W.R. (Ea. Axle)	6,000#	SUSPENSION	Multi-Leaf Slipper Spring with Equalizer
COUPLER	Adjustable Forged 2-5/16"	TIRE	ST235/80 D-16 Load Range E
SAFETY CHAINS	1/4" Grd. 70 w/Safety Latch Hook (2 each)	WHEEL	16 x 6 White Spoke 8 Bolt
JACK	7K Drop Leg Jack (Bolted On)	FLOOR	2" Pine
TONGUE	5" Channel Fold Back	LIGHTS	D.O.T. Stop, Tail, Turn & Clearance
TOP RAIL	None	ELEC. PLUG	7-Way RV
FRAME	6" Channel	FINISH (Prep)	Steel is Cleaned to Ensure a Professional Smooth Finish.
CROSSMEMBERS	3" Channel, 3" Sq. Tube	FINISH	Superior Quality Finish is Applied for a Highly Decorative and Protective Finish.
UPRIGHTS	None		
FENDERS	9" x 72" Double Square Broke Diamond Plate w/Back (Bolted On)		

Standard Features

- Adjustable Forged Coupler
- Fold Back Tongue w/Raised Coupler
- Safety Chains Attached w/Cold Rolled Eyelets
- Lower Jack Support Plate
- Unique Two Piece Main Frame
- 102" Wide Overall, 83" Width Between Fenders
- Tilt Platform is 75" Wide
- Hydraulic Dampening System
- Stake Pockets & Rubrail
- Floor Secured w/Torx Screws
- Cambered 4" Drop EZ Lube Axles w/Electric Brake on Each
- Complete Break-A-Way System w/Charger
- Spare Tire Mount
- 1/4" Diamond Plate Knife Edge
- Rubber Mounted Sealed Lighting

Dimensions				
Length	A	B	C	D
16'	202-1/2"	101"	101-1/2"	13°
18'	225-1/2"	113"	112-1/2"	12°
20'	249-1/2"	128"	121-1/2"	11°



MODEL#	WEIGHT	DESCRIPTION
12FT-16	2,875#	83" x 16' Tilt Trailer
12FT-18	2,900#	83" x 18' Tilt Trailer
12FT-20	3,120#	83" x 20' Tilt Trailer

OPTIONS

Adjustable Pintle in Channel	Spare Tire (ST235/80 D-16 LR-E)
12K Drop Leg Jack - Top Wind	Tire Upgrade (ST235/80 R-16 LR-E)
12K Drop Leg Jack - Side Wind Against Bed	Spare Tire Upgrade (ST235/80 R-16 LR-E)
Hydraulic Surge Brakes 2 Axles	LED Lighting

12TL

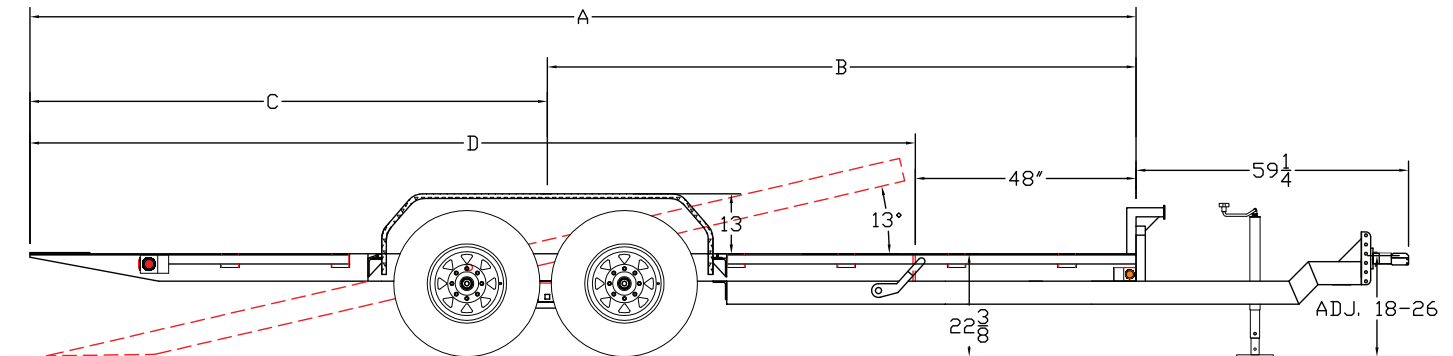
Pro Series Tilt Bed Equipment

G.V.W.R.	12,000#	AXLES	Two 6,000# 4" Drop EZ Lube w/Electric Brakes
G.A.W.R. (Ea. Axle)	6,000#	SUSPENSION	Multi-Leaf Slipper Spring w/Equalizer
COUPLER	Adjustable Forged 2-5/16"	TIRE	ST235/80 D-16 Load Range E
SAFETY CHAINS	1/4" Grd. 70 w/Safety Latch Hook (2 each)	WHEEL	16 x 6 White Spoke 8 Bolt
JACK	7K Drop Leg Jack (Bolted On)	FLOOR	2" Pine
TONGUE	5" Channel Fold Back	LIGHTS	D.O.T. Stop, Tail, Turn & Clearance
TOP RAIL	None	ELEC. PLUG	7-Way RV
FRAME	6" Channel	FINISH (Prep)	Steel is Cleaned to Ensure a Professional Smooth Finish.
CROSSMEMBERS	3" Channel, 3" Sq. Tube	FINISH	Superior Quality Finish is Applied for a Highly Decorative and Protective Finish.
FENDERS	9" x 72" Double Square Broke Diamond Plate w/Back (Bolted On)		

Standard Features

- Adjustable Forged Coupler
- Fold Back Tongue w/Raised Coupler
- Safety Chains Attached w/Cold Rolled Eyelets
- 7K Drop Leg Jack (Bolted On)
- Lower Jack Support Plate
- Unique Two Piece Main Frame
- 102" Wide Overall, 83" Width Between Fenders
- Tilt Platform is 75" Wide
- Hydraulic Dampening System
- Stake Pockets & Rubrail
- Reflective Marker Tape
- Floor Secured w/Torx Screws
- Cambered 4" Drop EZ Lube Axles w/Electric Brake on Each
- Complete Break-A-Way System w/Charger
- Spare Tire Mount
- 1/4" Diamond Plate Knife Edge
- Grommet Mount Sealed Lighting

Dimensions				
Length	A	B	C	D
20'	240-1/2"	128"	112-1/2"	192"



MODEL#	WEIGHT	DESCRIPTION
12TL-20	3,225#	83" x 20' (16' + 4') Tilt Trailer

OPTIONS

Adjustable Pintle in Channel	Spare Tire (ST235/80 D-16 LR-E)
12K Drop Leg Jack - Top Wind	Tire Upgrade (ST235/80 R-16 LR-E)
12K Drop Leg Jack - Side Wind Against Bed	Spare Tire Upgrade (ST235/80 R-16 LR-E)
Hydraulic Surge Brakes 2 Axles	LED Lighting

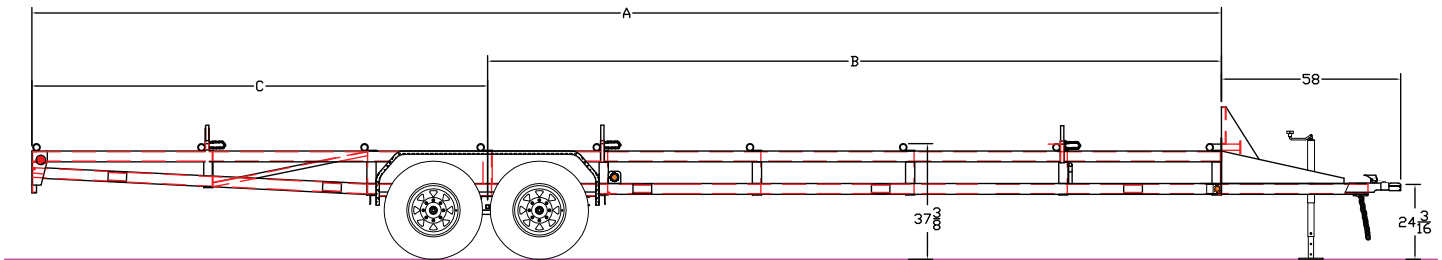
12PT Tandem Axle Pipe Transport

G.V.W.R.	12,000#	AXLES	Two 6,000# EZ Lube Axles w/Electric Brakes
G.A.W.R. (Ea. Axle)	6,000#	SUSPENSION	Multi-Leaf Slipper Spring w/Equalizer
COUPLER	Forged 2-5/16"	TIRE	ST235/80 D-16 Load Range E
SAFETY CHAINS	1/4" Grd. 70 w/Safety Latch Hook (2 each)	WHEEL	16 x 6 White Spoke 8 Bolt
JACK	7K Drop Leg Jack - Top Wind (Bolted On)	LIGHTS	D.O.T. Stop, Tail, Turn & Clearance
FRAME	3-1/2" O.D. SC 40 Pipe	ELEC. PLUG	7 Way RV
CROSSMEMBERS	Fabricated Plate	FINISH (Prep)	Steel is Cleaned to Ensure a Professional Smooth Finish.
BED CROSSMEMBERS	2-3/8" O.D. SC 40 Pipe	FINISH	Superior Quality Finish is Applied for a Highly Decorative and Protective Finish.
FENDERS	9" x 72" Double Sq. Broke Diamond Plate w/Back		

Standard Features

- Forged A-Frame Coupler
- Safety Chains Attached w/Cold Rolled Eyelets
- 7K Drop Leg Jack (Bolted On)
- Lower Jack Support Plate
- Reflective Marker Tape
- Cambered EZ Lube Axles w/Electric Brake on Each
- Complete Break-A-Way System w/Charger
- Storage Area Between Axles
- 3-1/2" O.D. SC 40 Pipe Mainframe
- 5, 4" Winches w/Straps & Winch Bar
- 6, 1" Removable Stakes
- Spare Tire Mount
- Rubber Mounted Sealed Lighting

Dimensions			
Length	A	B	C
32'	384"	237"	147"
40'	480"	395"	185"



MODEL#	WEIGHT	DESCRIPTION
12PT-32	3,690#	68" x 32' Heavy Duty Tandem Axle Pipe Transport
12PT-40	4,290#	68" x 40' Heavy Duty Tandem Axle Pipe Transport

OPTIONS

Gooseneck w/12K Drop Leg Jack	Spare Tire Upgrade (ST235/80 R-16 LR-E)
Spare Tire (ST235/80 D-16 LR-E)	LED Lighting
Tire Upgrade (ST235/80 R-16 LR-E)	

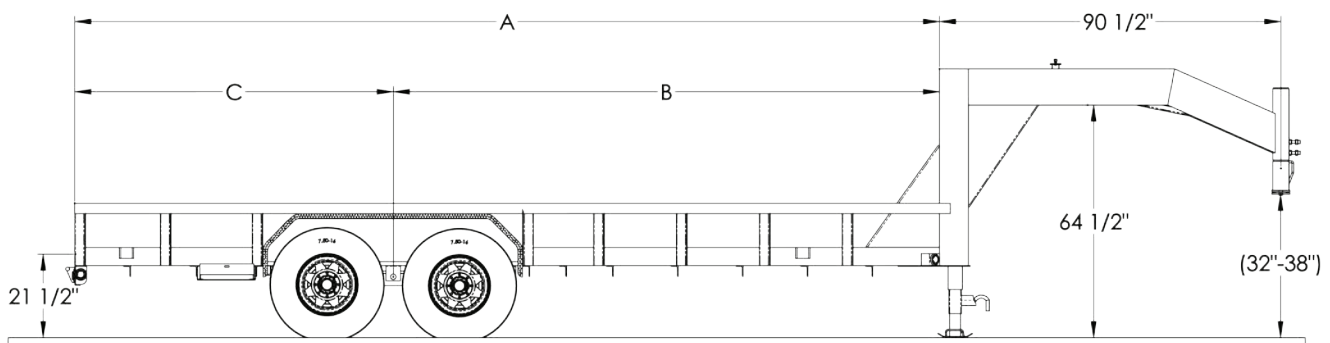
12GP Heavy Duty Pipe Gooseneck

G.V.W.R.	12,000#	AXLES	Two 6,000# EZ Lube w/Electric Brakes
G.A.W.R. (Ea. Axle)	6,000#	SUSPENSION	Multi-Leaf Slipper Spring w/Equalizer
COUPLER	2-5/16" Ball Adjustable Pipe	TIRE	ST235/80 D-16 Load Range E
SAFETY CHAINS	3/8" Grd. 70 w/Safety Latch Hook (2 each)	WHEEL	16 x 6 White Spoke 8 Bolt
JACK	12K Drop Leg Jack (Bolted On)	FLOOR	2" Pine
NECK	8" Channel	LIGHTS	D.O.T. Stop, Tail, Turn & Clearance
TOP RAIL	2-7/8" Pipe Square Back	ELEC. PLUG	7-Way RV
FRAME	5" x 3" x 1/4" Angle	FINISH (Prep)	Steel is Cleaned to Ensure a Professional Smooth Finish.
CROSSMEMBERS	3" x 2" x 3/16" Angle	FINISH	Superior Quality Finish is Applied for a Highly Decorative and Protective Finish.
UPRIGHTS	3" x 2" x 3/16" x 16"		
FENDERS	9" x 72" Double Broke Diamond Plate w/ Back		

Standard Features

- Gooseneck w/2-5/16" Adjustable Coupler
- Safety Chains Attdhd w/Cold Rolled Eyelets
- 2-7/8" Top Rail Capped w/Self Sealing Plugs on 20' & shorter
- 3" Sq. Tube Top Rail on 22' & Longer
- Tie Down Pockets, Sides & Front
- Floor Secured w/Torx Screws
- Reflective Marker Tape
- Cambered EZ Lube Axles w/Electric Brake on Each
- Complete Break-A-Way System w/Charger
- Spare Tire Mount
- 4' Slide In Ramps (Channel)
- Grommet Mount Sealed Lighting

Dimensions			
Length	A	B	C
18'	217-1/2"	145"	72-1/2"
20'	240"	160"	80"



MODEL#	WEIGHT	DESCRIPTION
12GP-18	2,930#	83" x 18' Gooseneck Tandem Axle Pipe Trailer
12GP-20	3,100#	83" x 20' Gooseneck Tandem Axle Pipe Trailer

OPTIONS

Electric Over Hydraulic Brakes (Drums)	Rampgate in Lieu of Ramps
Spare Tire (ST235 D-16 LR-E)	Gas Spring Assist Option - Rampgate
Tire Upgrade (ST235/80 R-16 LR-E)	4' Heavy Duty Integrated Ramp Gate w/Gas Spring Assist in Lieu of Ramps
Spare Tire Upgrade (ST235/80 R-16 LR-E)	5' Stand Up Ramps in Lieu of Slide In
LED Lighting	

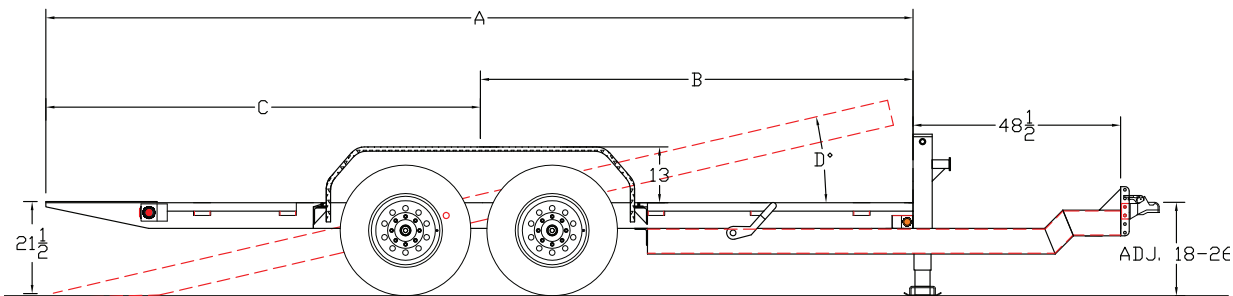
14FT Pro Series Full Tilt Bed Equipment

G.V.W.R.	14,000#	AXLES	Two 7,000#, 4" Drop EZ Lube w/Electric Brakes
G.A.W.R. (Ea. Axle)	7,000#	SUSPENSION	Multi-Leaf Slipper Spring w/Equalizer
COUPLER	Adjustable 14K Cast 2-5/16"	TIRE	ST235/85 R-16 Load Range E
SAFETY CHAINS	3/8" Grd. 70 w/Safety Latch Hook (2 each)	WHEEL	16 x 6 White Spoke 8 Bolt
JACK	12K Drop Leg Jack Against Bed - Side Wind	FLOOR	2" Pine
TONGUE	6" Channel Fold Back	LIGHTS	D.O.T. Stop, Tail, Turn & Clearance
TOP RAIL	None	ELEC. PLUG	7-Way RV
FRAME	6" Channel	FINISH (Prep)	Steel is Cleaned to Ensure a Professional Smooth Finish.
CROSSMEMBERS	3" Channel, 3" Sq. Tube	FINISH	Superior Quality Finish is Applied for a Highly Decorative and Protective Finish.
FENDERS	9" x 72" Double Square Brake Diamond Plate (Bolted On)		

Standard Features

- Adjustable Forged Coupler
- Fold Back Tongue w/Raised Coupler
- Safety Chains Attached w/Cold Rolled Eyelets
- 12K Side Wind Drop Leg Jack
- Unique Two Piece Main Frame
- 102" Wide Overall, 83" Width Between Fenders
- Tilt Platform is 75" Wide
- Hydraulic Dampening System
- Reflective Marker Tape
- Floor Secured w/Torx Screws
- Cambered 4" Drop EZ Lube Axles w/Electric Brake on Each
- Complete Break-A-Way System w/Charger
- Spare Tire Mount
- 1/4" Diamond Plate Knife Edge
- Grommet Mount Sealed Lighting

Dimensions				
Length	A	B	C	D
16'	202-1/2"	101"	101-1/2"	13°
18'	225-1/2"	113"	112-1/2"	12°
20'	249-1/2"	128"	121-1/2"	11°



MODEL#	WEIGHT	DESCRIPTION
14FT-16	3,480#	83" x 16' Full Tilt Trailer
14FT-18	3,520#	83" x 18' Full Tilt Trailer
14FT-20	3,570#	83" x 20' Full Tilt Trailer

OPTIONS

Adjustable Pintle in Channel	Tire Upgrade (ST235/80 R-16 LR-G)
Hydraulic Surge Brakes	Spare Tire Upgrade (ST235/80 R-16 LR-G)
Spare Tire (ST235 R-16 LR-E)	LED Lighting

14TL

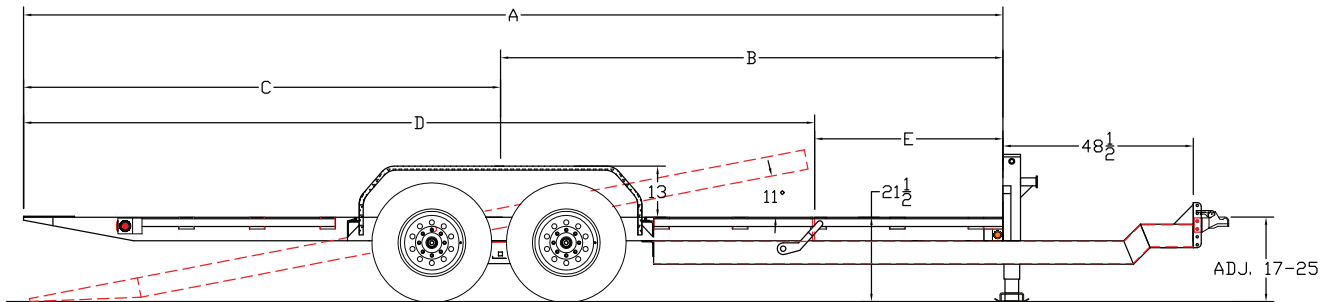
Pro Series Tilt Bed Equipment

G.V.W.R.	14,000#	AXLES	Two 7,000#, 4" Drop EZ Lube w/Electric Brakes
G.A.W.R. (Ea. Axle)	7,000#	SUSPENSION	Multi-Leaf Slipper Spring w/Equalizer
COUPLER	Adjustable 14K Cast 2-5/16"	TIRE	ST235/85 R-16 Load Range E
SAFETY CHAINS	3/8" Grd. 70 w/Safety Latch Hook (2 each)	WHEEL	16 x 6 White Spoke 8 Bolt
JACK	12K Drop Leg Jack Against Bed - Side Wind	FLOOR	2" Pine
TONGUE	6" Channel Fold Back	LIGHTS	D.O.T. Stop, Tail, Turn & Clearance
TOP RAIL	None	ELEC. PLUG	7-Way RV
FRAME	6" Channel	FINISH (Prep)	Steel is Cleaned to Ensure a Professional Smooth Finish.
CROSSMEMBERS	3" Channel, 3" Sq. Tube	FINISH	Superior Quality Finish is Applied for a Highly Decorative and Protective Finish.
FENDERS	9" x 72" Double Square Brake Diamond Plate (Bolted On)		

Standard Features

- Adjustable Forged Coupler
- Fold Back Tongue w/Raised Coupler
- Safety Chains Attached w/Cold Rolled Eyelets
- 12K Side Wind Drop Leg Jack
- Unique Two Piece Main Frame
- 102" Wide Overall, 83" Width Between Fenders
- Tilt Platform is 75" Wide
- Hydraulic Dampening System
- Reflective Marker Tape
- Floor Secured w/Torx Screws
- Cambered 4" Drop EZ Lube Axles w/Electric Brake on Each
- Complete Break-A-Way System w/Charger
- Spare Tire Mount
- 1/4" Diamond Plate Knife Edge
- Grommet Mount Sealed Lighting

Dimensions					
Length	A	B	C	D	E
20'	249-1/2"	129"	112-1/2"	201"	48"
22'	273-1/2"	153"	112-1/2"	201"	72"



MODEL#	WEIGHT	DESCRIPTION
14TL-20	3,480#	83" x 20' (16' + 4') Tilt Trailer
14TL-22	3,520#	83" x 22' (16' + 6') Tilt Trailer

OPTIONS

Adjustable Pintle in Channel	Tire Upgrade (ST235/80 R-16 LR-G)
Hydraulic Surge Brakes 2 Axles	Spare Tire Upgrade (ST235/80 R-16 LR-G)
Spare Tire (ST235 R-16 LR-E)	LED Lighting

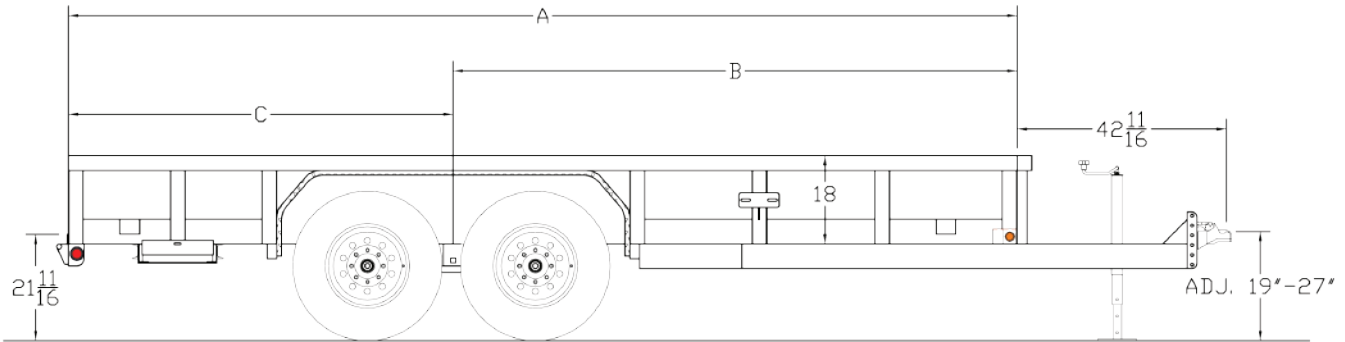
14PI Heavy Duty Pipe Tandem Axle

G.V.W.R.	14,000#	AXLES	Two 7,000# EZ Lube w/Electric Brakes
G.A.W.R. (Ea. Axle)	7,000#	SUSPENSION	Multi-Leaf Slipper Spring w/Equalizer
COUPLER	Adjustable 2-5/16" 14K Cast	TIRE	ST235/80 R-16 Load Range E
SAFETY CHAINS	3/8" Grd. 70 w/Safety Latch Hook (2 each)	WHEEL	16 x 6 Heavy White Mod 8 Bolt
JACK	7K Drop Leg Jack (Bolted On)	FLOOR	2" Pine
TONGUE	6" Channel Fold Back	LIGHTS	D.O.T. Stop, Tail, Turn & Clearance
TOP RAIL	3" Square Tube Square Back	ELEC. PLUG	7-Way RV
FRAME	5" x 3" x 5/16" Angle	FINISH (Prep)	Steel is Cleaned to Ensure a Professional Smooth Finish.
CROSSMEMBERS	3" Channel on 16" Centers	FINISH	Superior Quality Finish is Applied for a Highly Decorative and Protective Finish.
UPRIGHTS	15" Tall - 3" x 2" x 3/16" Angle		
FENDERS	9" x 72" Double Broke Diamond Plate w/Back		

Standard Features

- Adjustable 14K Cast Coupler
- Safety Chains Attached w/Cold Rolled Eyelets
- 7K Set Back Jack (Bolted On)
- Lower Jack Support Plate
- Fold Back Tongue (14' and longer)
- Reflective Marker Tape
- Tie Down Pockets
- 3" Square Tube Top Rail Capped w/Self Sealing Plugs
- Floor Secured w/Torx Screws
- Cambered EZ Lube Axles w/Electric Brake on Each
- Complete Break-A-Way System w/Charger
- Spare Tire Mount (Side)
- 4' Slide-In Ramps (Channel)
- Grommet Mount Sealed Lighting

Dimensions			
Length	A	B	C
16'	193-1/2"	115"	78-1/2"
18'	217-1/2"	127"	90-1/2"
20'	240"	138"	102"



MODEL#	WEIGHT	DESCRIPTION
14PI-16	2,310#	83" x 16' Tandem Axle
14PI-18	2,470#	83" x 18' Tandem Axle
14PI-20	2,990#	83" x 20' Tandem Axle

OPTIONS

Adjustable Pintle in Channel	LED Lighting
12K Drop Leg Jack - Top Wind	Rampgate in Lieu of Ramps
Hydraulic Surge Brakes 2 Axles	Gas Spring Assist Option - Rampgate
Spare Tire (ST235/80 R-16 LR-E)	4' Heavy Duty Integrated Ramp Gate w/Gas Spring Assist in Lieu of Ramps
Tire Upgrade (ST235/85 R-16 LR-G)	5' Stand up Ramps in Lieu of Slide In
Spare Tire Upgrade (ST235/85 R-16 LR-G)	

14CC Tandem Axle Equipment

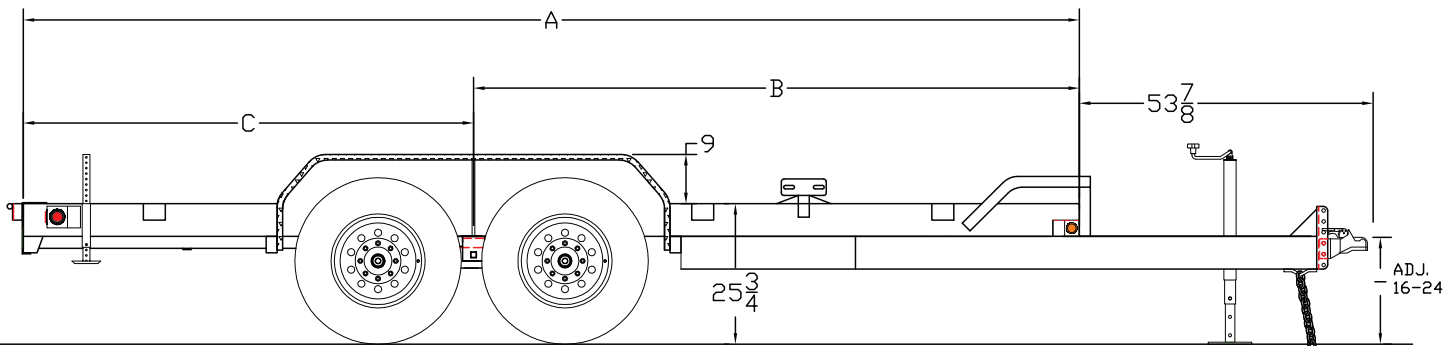
G.V.W.R.	14,000#	AXLES	Two 7,000# EZ Lube w/Electric Brakes
G.A.W.R. (Ea. Axle)	7,000#	SUSPENSION	Multi-Leaf Spring w/Equalizer
COUPLER	14K Adjustable Cast 2-5/16"	TIRE	ST235/16 Load Range E
SAFETY CHAINS	3/8" Grd. 70 w/Safety Latch Hook (2 each)	WHEEL	16 x 6 Radial Heavy White Mod 8 Bolt
JACK	7K Drop Leg Jack - Top Wind (Bolted On)	FLOOR	2" Pine
TONGUE	6" Channel Fold Back	LIGHTS	D.O.T. Stop, Tail, Turn & Clearance
TOP RAIL	None	ELEC. PLUG	7-Way RV
FRAME	6" Channel	FINISH (Prep)	Steel is Cleaned to Ensure a Professional Smooth Finish.
CROSSMEMBERS	3" Channel on 16" Centers	FINISH	Superior Quality Finish is Applied for a Highly Decorative and Protective Finish.
UPRIGHTS	None		
FENDERS	9" x 72" Diamond Plate w/Back (Removable)		

Standard Features

- 14K Adjustable Cast Coupler
- Safety Chains Attached w/Cold Rolled Eyelets
- Fold Back Tongue
- 2" Tubular Stop Rail
- Tie Down Pockets, Sides & Rear
- Floor Secured w/Torx Screws
- Reflective Marker Tape
- Cambered EZ Lube Axles w/Electric Brake on Each
- Complete Break-A-Way System w/Charger
- Grommet Mount Sealed Lighting

Shown with Optional Slide In Ramps

Dimensions			
Length	A	B	C
16'	193-1/2"	111"	82-1/2"
18'	217-1/2"	127"	90-1/2"



MODEL#	WEIGHT	DESCRIPTION
14CC-16	2,560#	83" x 16' Tandem Axle Equipment Trailer
14CC-18	2,710#	83" x 18' Tandem Axle Equipment Trailer

OPTIONS

Spare Tire (ST235/80 R-16 LR-E)	5' Slide in Ramps
Spare Tire Mount	5' Stand up Ramps
LED Lighting	

STANDARD MODEL - NO OTHER OPTIONS AVAILABLE

14ET Tandem Axle Equipment

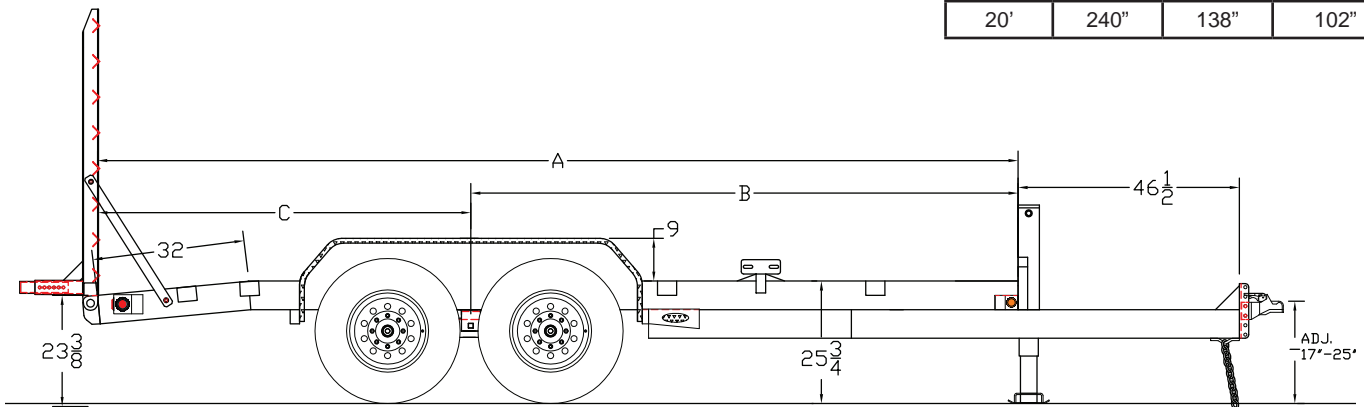
G.V.W.R.	14,000#	AXLES	Two 7,000# EZ Lube w/Electric Brakes
G.A.W.R. (Ea. Axle)	7,000#	SUSPENSION	Multi-Leaf Spring w/Equalizer
COUPLER	Adjustable Cast 2-5/16"	TIRE	ST235/16 Load Range E
SAFETY CHAINS	3/8" Grd. 70 w/Safety Latch Hook (2 each)	WHEEL	16 x 6 Radial Heavy White Mod 8 Bolt
JACK	7K Dropleg Jack - Top Wind (Bolted On)	FLOOR	2" Pine
TONGUE	6" Channel Fold Back	LIGHTS	D.O.T. Stop, Tail, Turn & Clearance
TOP RAIL	None	ELEC. PLUG	7-Way RV
FRAME	6" Channel	FINISH (Prep)	Steel is Cleaned to Ensure a Professional Smooth Finish.
CROSSMEMBERS	3" Channel on 16" Centers	FINISH	Superior Quality Finish is Applied for a Highly Decorative and Protective Finish.
UPRIGHTS	None		
FENDERS	9" x 72" Diamond Plate w/Back (Removable)		

Standard Features

- Adjustable Cast Coupler
- Safety Chains Attchd w/Cold Rolled Eyelets
- 7K Top Wind Drop Leg Jack
- Fold Back Tongue
- 2" Tubular Stop Rail
- Tie Down Pockets
- Floor Secured w/Torx Screws
- Reflective Marker Tape
- Cambered EZ Lube Axles w/Electric Brake on Each
- Complete Break-A-Way System w/Charger
- Spare Mount
- 32" Dovetail
- 5' Stand Up Ramps w/Adj. Support Legs

Shown with Optional 12K SW Jack

Dimensions			
Length	A	B	C
16'	193-1/2"	115"	78-1/2"
18'	217-1/2"	127"	90-1/2"
20'	240"	138"	102"



MODEL#	WEIGHT	DESCRIPTION
14ET-16	2,560#	83" x 16' Tandem Axle Equipment Trailer
14ET-18	2,710#	83" x 18' Tandem Axle Equipment Trailer
14ET-20	2,860#	83" x 20' Tandem Axle Equipment Trailer

OPTIONS

Adjustable Pintle	Tire Upgrade (ST235/85 R-16 LR-G)
12K Drop Leg Jack - Top Wind	Spare Tire Upgrade (ST235/85 R-16 LR-G)
12K Drop Leg Jack - Side Wind Against Bed	LED Lighting
Hydraulic Surge Brakes 2 Axles	Additional Stake Pockets and HD Rubrail
Spare Tire (ST235/80 R-16 LR-E)	Gooseneck in Lieu of Bumper Pull

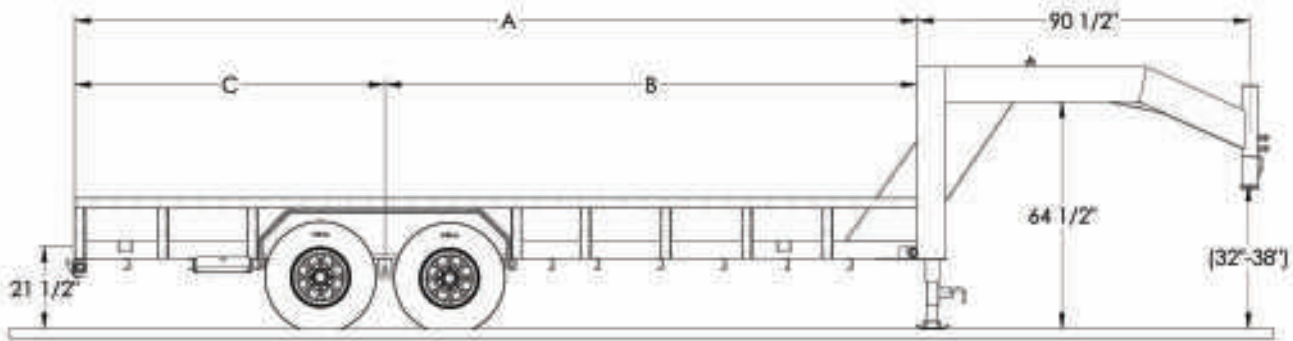
14GP Heavy Duty Pipe Gooseneck

G.V.W.R.	14,000#	AXLES	Two 7,000# EZ Lube w/Electric Brakes
G.A.W.R. (Ea. Axle)	7,000#	SUSPENSION	Multi-Leaf Slipper Spring w/Equalizer
COUPLER	2-5/16" Ball Adjustable Pipe	TIRE	ST235/16 Load Range E
SAFETY CHAINS	3/8" Grd. 70 w/Safety Latch Hook (2 each)	WHEEL	16 x 6 HD White Modular 8 Bolt
JACK	12K Drop Leg Jack	FLOOR	2" Pine
NECK	8" Channel	LIGHTS	D.O.T. Stop, Tail, Turn & Clearance
TOP RAIL	3" Square Tubing	ELEC. PLUG	7-Way RV
FRAME	5" x 3" x 5/16" Angle	FINISH (Prep)	Steel is Cleaned to Ensure a Professional Smooth Finish.
CROSSMEMBERS	3" Channel on 16" Centers	FINISH	Superior Quality Finish is Applied for a Highly Decorative and Protective Finish.
UPRIGHTS	15" Tall, 3" x 2" x 3/16" Angle		
FENDERS	9" x 72" Double Broke Diamond Plate w/Back		

Standard Features

- Gooseneck w/2-5/16" Adjustable Pipe Coupler
- Safety Chains Atchd w/Cold Rolled Eyelets
- 3" Sq. Tube Top Rail
- Tie Down Pockets on Sides& Front
- Floor Secured w/Torx Screws
- Reflective Marker Tape
- Cambered EZ Lube Axles w/Electric Brake on Each
- Complete Break-A-Way System w/Charger
- Spare Tire Mount
- 4' Slide In Ramps (Channel)
- Grommet Mount Sealed Lighting

Dimensions			
Length	A	B	C
20'	240"	160"	80"
24'	288"	192"	96"



MODEL#	WEIGHT	DESCRIPTION
14GP-20	3,200#	83" x 20' Gooseneck Tandem Axle Pipe Trailer
14GP-24	3,570#	83" x 24' Gooseneck Tandem Axle Pipe Trailer

OPTIONS

Electric Over Hydraulic Brakes (Drums)	Rampgate in Lieu of Ramps
Spare Tire (ST235/80 R-16 LR-E)	Gas Spring Assist Option - Rampgate
Tire Upgrade (ST235/85 R-16 LR-G)	4' Heavy Duty Integrated Ramp Gate w/Gas Spring Assist in Lieu of Ramps
Spare Tire Upgrade (ST235/85 R-16 LR-G)	5' Stand Up Ramps in Lieu of Slide In
LED Lighting	



Gooseneck / Pintle



www.bigtexttrailers.com

TOUGH AS A TEXAS LONGHORN

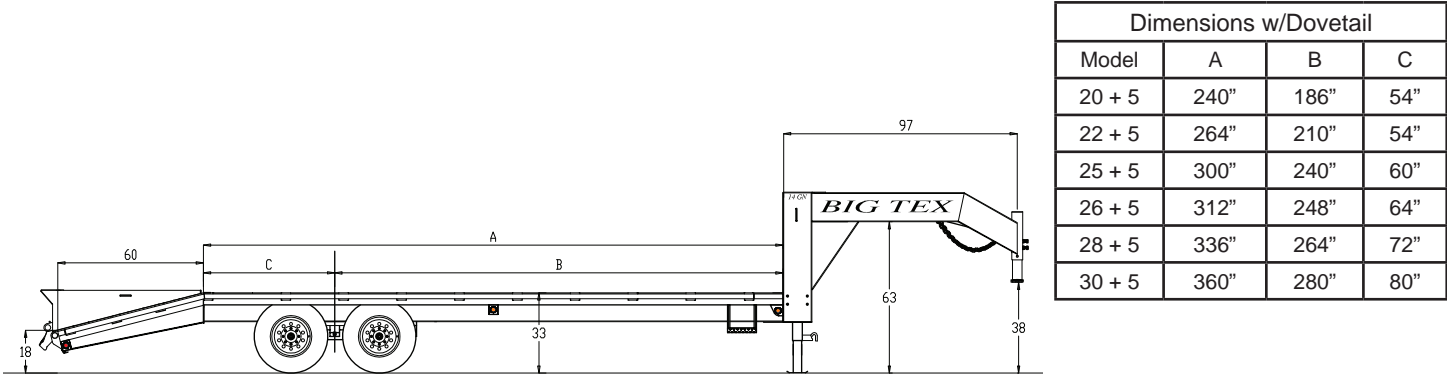
**GOOSENECK
/ PINTLE**

14GN Tandem Axle Gooseneck

G.V.W.R.	14,000#	AXLES	Two 7,000# EZ Lube w/Electric Brakes
G.A.W.R. (Ea. Axle)	7,000#	SUSPENSION	Multi-Leaf Slipper Spring w/Equalizer
COUPLER	2-5/16" Ball Adj. Pipe, 3" ID Pintle on PH	TIRE	ST235/16 Load Range E
SAFETY CHAINS	3/8" Grd. 70 w/Safety Latch Hook (2 each)	WHEEL	16 x 6 HD White Modular 8 Bolt
JACKS	Dual 12K Drop Leg Jacks (Bolted On), Single 12K TW on PH	FLOOR	2" Pine
NECK	12" I-Beam	LIGHTS	LED D.O.T. Stop, Tail, Turn & Clearance
TOP RAIL	None	ELEC. PLUG	7-Way RV
FRAME	12" I-Beam	FINISH (Prep)	Steel is Cleaned to Ensure a Professional Smooth Finish.
CROSSMEMBERS	3" Channel	FINISH	Superior Quality Finish is Applied for a Highly Decorative and Protective Finish.
SIDE RAILS	5" Channel w/Rub Rail, Stake Pockets on 24" Centers, and Chain Spools		

Standard Features

- Safety Chains Attached w/Cold Rolled Eyelets
- Dual Drop Leg Jacks (Single Speed) Bolted on w/Greasable Handle
- Pintle has Single TW Drop Leg Jack
- 102" Overall Width
- Low Profile Bed, Pierced Frame
- Lockable Toolbox Between GN Uprights
- 2 Side Bed Steps
- 3/8" Heavy Duty Rub Rail
- 1-1/4" Pipe Chain Spool Between Stake Pockets
- Safety Reflective Marker Tape
- Floor Secured w/Torx Screws
- Cambered EZ Lube Axles w/Electric Brake on Each
- Complete Break-A-Way System w/Battery & Charger
- Radial Tires on HD Wheels
- Spare Tire Mount
- Modular Sealed Wiring Harness
- Rubber Mounted Sealed LED Lighting
- 5' Dovetail w/Double Hinged Spring Assist Fold Over Ramps



MODEL#	WEIGHT	DESCRIPTION
14GN-20+5	4,920#	102" x 20' + 5' Tandem 14,000# Gooseneck/Pintle
14GN-22+5	5,120#	102" x 22' + 5' Tandem 14,000# Gooseneck/Pintle
14GN-25+5	5,340#	102" x 24' + 5' Tandem 14,000# Gooseneck/Pintle
14GN-26+5	5,590#	102" x 26' + 5' Tandem 14,000# Gooseneck/Pintle
14GN-28+5	5,880#	102" x 28' + 5' Tandem 14,000# Gooseneck/Pintle
14GN-30+5	6,130#	102" x 30' + 5' Tandem 14,000# Gooseneck/Pintle

OPTIONS

30K Square Adjustable Screw Type Coupler	Low Profile Tool Box 15" x 15" x 36" (Side Mount)
Dual Two Speed Landing Gear	Tool Box 18" x 18" x 36" (Side Mount)
Electric Over Hydraulic Brakes (Drums)	5' Center Pop-Up Dovetail w/5' Fold Up Ramps
Torsion Axles	No Dovetail Option
Spare Tire (ST235/80 R-16 LR-E)	Three Ramps w/Diamond Plate on Bottoms
Tire Upgrade (ST235/85 R-16 LR-G)	Pintle in Lieu of Gooseneck
Spare Tire Upgrade (ST235/85 R-16 LR-G)	

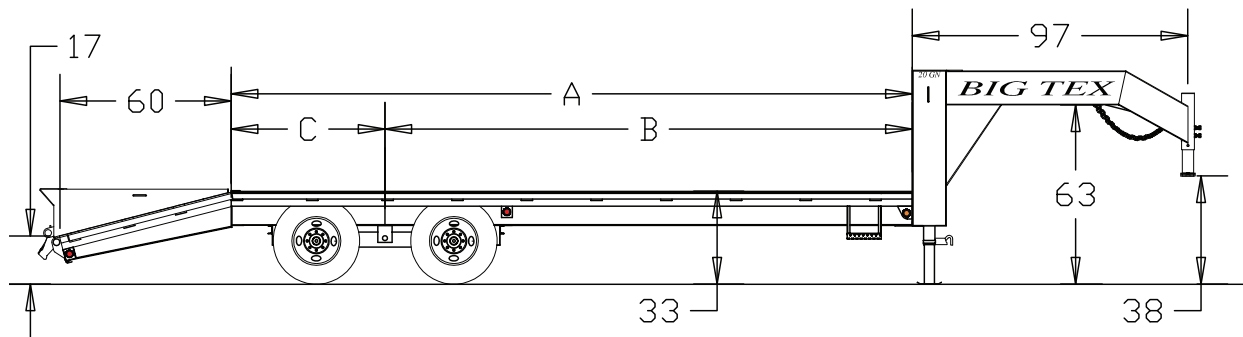
20GN Tandem Axle Gooseneck

G.V.W.R.	20,000#	AXLES	Two 10,000# Dual Wheel Electric Brakes
G.A.W.R. (Ea. Axle)	10,000#	SUSPENSION	Multi-Leaf Slipper Spring w/Equalizer
COUPLER	2-5/16" Ball Adj. Pipe or 3" ID Pintle	TIRE	ST235 D-16 Load Range E Dual
SAFETY CHAINS	3/8" Grd. 70 w/Safety Latch Hook (2 each)	WHEEL	16 x 6 Dual 8 Bolt
JACKS	12K Drop Leg Jack (Bolted On)	FLOOR	2" Pine
NECK	12" I-Beam	LIGHTS	D.O.T. Stop, Tail, Turn & Clearance
TOP RAIL	None	ELEC. PLUG	7-Way RV
FRAME	12" I-Beam	FINISH (Prep)	Steel is Cleaned to Ensure a Professional Smooth Finish.
CROSSMEMBERS	3" Channel	FINISH	Superior Quality Finish is Applied for a Highly Decorative and Protective Finish.
SIDE RAILS	5" Channel w/Rub Rail and Stake Pockets on 24" Centers		

Standard Features

- Safety Chains Attached w/Cold Rolled Eyelets
- 12K Drop Leg Jack on GN/12K TW Drop Leg Jack on Pintle
- Bolt On Jack w/Greasable Handle
- Low Profile Bed, Pierced Frame
- 102" Overall Width
- 3/8" Heavy Duty Rub Rail
- Safety Reflective Marker Tape
- Oil Bath Axles w/Electric Brake on Each
- Complete Break-A-Way System w/Battery & Charger
- Spare Mount
- Rubber Mounted Sealed Lighting
- 5' Dovetail w/Double Hinged Fold Over Ramps

Dimensions w/Dovetail			
Model	A	B	C
20 + 5	240	186"	54"



MODEL#	WEIGHT	DESCRIPTION
20GN-20+5	5,130#	102" x 20' + 5' Tandem 20,000# Gooseneck

OPTIONS

Spare Tire (ST235 D-16 LR-E Dual)	LED Lighting
-----------------------------------	--------------

22GN Tandem Dual Axle Gooseneck

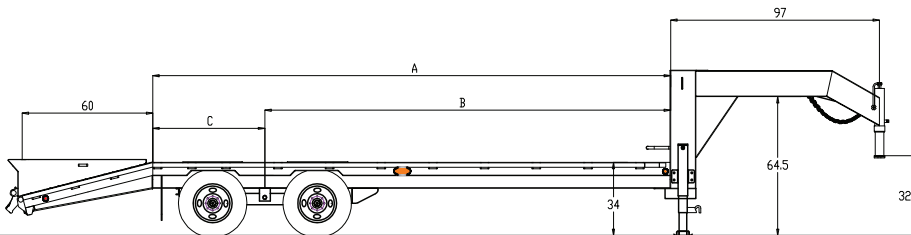
G.V.W.R.	22,500#	AXLES	2-GD10,000# Dual Wheel Electric Brakes (Oil Bath)
G.A.W.R. (Ea. Axle)	10,000#	SUSPENSION	Multi-Leaf Slipper Spring w/Equalizer
COUPLER	2-5/16" Ball Adj. Square Crank Type	TIRE	ST235/80 R-16 Load Range E Dual
SAFETY CHAINS	3/8" Grd. 70 w/Safety Latch Hook (2 each)	WHEEL	16 x 6 Dual 8 Bolt
JACKS	Two 12K Drop Leg Jacks (Bolted On)	FLOOR	2" Pine
NECK	12" I-Beam	LIGHTS	LED D.O.T. Stop, Tail, Turn & Clearance
TOP RAIL	None	ELEC. PLUG	7-Way RV
FRAME	12" I-Beam	FINISH (Prep)	Steel is Cleaned to Ensure a Professional Smooth Finish.
CROSSMEMBERS	3" Channel	FINISH	Superior Quality Finish is Applied for a Highly Decorative and Protective Finish.
SIDE RAILS	6" Channel w/Rub Rail, Stake Pockets on 24" Centers, and Chain Spools		

Standard Features

- Safety Chains Attached w/Cold Rolled Eyelets
- 2 Bolted On Jacks w/Greasable Handle (PH has Single TW Drop-Leg Jack)
- 102" Overall Width
- Low Profile Bed, Pierced Frame
- 28' (Flat Deck) and Longer Include Torque Tube
- Lockable Toolbox Between GN Uprights
- Formed Crossmember to Frame Gussets
- Modular Sealed Wiring Harness
- 1-1/4" Pipe Chain Spool Between Stake Pockets
- Safety Reflective Marker Tape
- Oil Bath Axles w/Electric Brake on Each
- Complete Break-A-Way System w/Battery & Charger
- Radial Tires
- Spare Tire Mount
- Rubber Mounted Sealed LED Lighting
- 2 Side Bed Steps
- 5' Dovetail w/Dble Hinged Spring Assist Fold Over Ramps

Dimensions w/Dovetail

Model	A	B	C
20 + 5	240"	186"	54"
25 + 5	300"	240"	60"
28 + 5	336"	264"	72"
30 + 5	360"	280"	80"
32 + 5	384"	296"	88"
35 + 5	420"	320"	100"
36	432"	288"	144"
40	480"	320"	160"



MODEL#	WEIGHT	DESCRIPTION
22GN-20+5	5,680#	102" x 20' + 5' Tandem Dual 22,500# Gooseneck
22GN-25+5	6,344#	102" x 25' + 5' Tandem Dual 22,500# Gooseneck
22GN-28+5	6,840#	102" x 28' + 5' Tandem Dual 22,500# Gooseneck
22GN-30+5	7,180#	102" x 30' + 5' Tandem Dual 22,500# Gooseneck
22GN-32+5	7,520#	102" x 32' + 5' Tandem Dual 22,500# Gooseneck
22GN-35+5	7,720#	102" x 35' + 5' Tandem Dual 22,500# Gooseneck
22GN-36	7,460#	102" x 36' Tandem Dual 22,500# Gooseneck
22GN-40	8,060#	102" x 40' Tandem Dual 22,500# Gooseneck

OPTIONS

Dual 2 Speed Landing Gear	Deck on the Neck (6')
Electric over Hydraulic Brakes (Drum)	5' Center Pop-Up Dovetail w/5' Fold Up Ramps
Spare Tire (ST235/80 R-16 LR-E Dual)	Three Ramps w/Diamond Plate on Bottoms
LED Lighting	No Dovetail Option (Straight Deck)
Low Profile Tool Box 12" x 18" x 36" (Side Mount)	Pintle in Lieu of Gooseneck

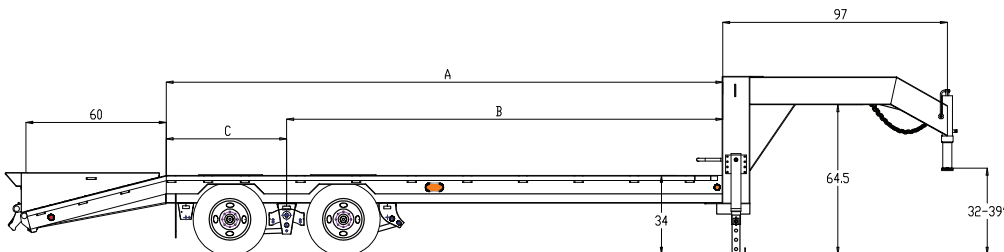
25GN

Heavy Duty Tandem Dual Axle Gooseneck

G.V.W.R.	25,900#	AXLES	Two HD 10,000# Dual Wheel Electric Brakes (Oil Bath)
G.A.W.R. (Ea. Axle)	10,000#	SUSPENSION	44K Adjustable
COUPLER	2-5/16" Ball, Square Crank Type	TIRE	ST235/80 R-16 Load Range E Dual
SAFETY CHAINS	3/8" Grd. 70 w/Safety Latch Hook (2 each)	WHEEL	16 x 6 Dual 8 Bolt
JACKS	Dual Two Speed Landing Gear 50K Capacity (Bolted On)	FLOOR	2" Pine
NECK	12" I-Beam	LIGHTS	LED D.O.T. Stop, Tail, Turn & Clearance w/Ctr Turns
TOP RAIL	None	ELEC. PLUG	7-Way RV
FRAME	12" I-Beam	FINISH (Prep)	Steel is Cleaned to Ensure a Professional Smooth Finish.
CROSSMEMBERS	3" Channel	FINISH	Superior Quality Finish is Applied for a Highly Decorative and Protective Finish.
SIDE RAILS	8" Channel w/Rub Rail, Stake Pockets on 24" Centers, and Chain Spools		

Standard Features

- Safety Chains Attached w/Cold Rolled Eyelets
- 102" Overall Width
- Low Profile Bed, Pierced Frame
- 28' (Flat Deck) and Longer Include Torque Tube
- Lockable Toolbox Between GN Uprights
- 1-1/4" Pipe Chain Spool Between Stake Pockets
- Formed Crossmember to Frame Gussets
- Modular Sealed Wiring Harness
- Safety Reflective Marker Tape
- Rubber Mounted Sealed LED Lighting
- Heavy Duty Oil Bath Axles w/Electric Brake on Each
- Complete Break-A-Way System w/Battery & Charger
- Spare Tire Mount
- 2 Side Bed Steps
- 5' Dovetail w/Dble Hinged Spring Assist Fold Over Ramps



Dimensions w/Dovetail			
Model	A	B	C
20 + 5	240"	186"	54"
25 + 5	300"	240"	60"
28 + 5	336"	264"	72"
30 + 5	360"	280"	80"
32 + 5	384"	296"	88"
35 + 5	420"	320"	100"
36	432"	288"	144"
40	480"	320"	160"

MODEL#	WEIGHT	DESCRIPTION
25GN-20+5	6,490#	102" x 20' + 5' Tandem Dual 25,900# Gooseneck
25GN-25+5	7,230#	102" x 25' + 5' Tandem Dual 25,900# Gooseneck
25GN-28+5	7,760#	102" x 28' + 5' Tandem Dual 25,900# Gooseneck
25GN-30+5	8,020#	102" x 30' + 5' Tandem Dual 25,900# Gooseneck
25GN-32+5	8,320#	102" x 32' + 5' Tandem Dual 25,900# Gooseneck
25GN-35+5	8,780#	102" x 35' + 5' Tandem Dual 25,900# Gooseneck
25GN-36	7,840#	102" x 36' Tandem Dual 25,900# Gooseneck (Straight)
25GN-40	8,440#	102" x 40' Tandem Dual 25,900# Gooseneck (Straight)

OPTIONS

Air Brake w/ABS on Front, Spring Brake Chambers & Auto Slacks	Low Profile Tool Box 12" x 18" x 36" Side Mount
Electric Over Hydraulic Brakes (Disc)	Center Pop-up Dovetail w/5' Fold Up Ramps
12K HD Electric Brake Axle Upgrade	Three Ramps w/Diamond Plate on Bottoms
Spare Tire (235/80 R-16 LR-E Dual)	Deck on the Neck (6")
Tire Upgrade (235/R-16 LR-G Dual)	No Dovetail Option (Straight Deck)
Spare Tire Upgrade (235/R-16 LR-G Dual)	Pintle in Lieu of Gooseneck

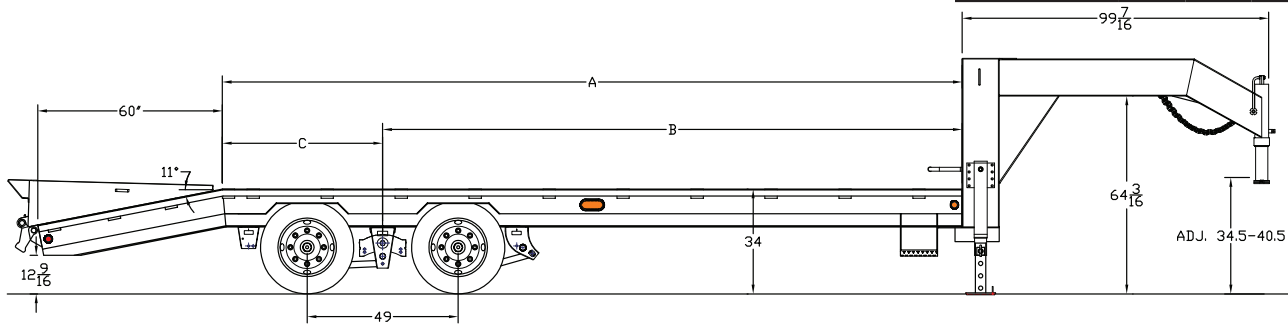
3XGN Super Duty Tandem Dual Axle Gooseneck

G.V.W.R.	30,000#	AXLES	Two HD 15,000# Dual Wheel Electric Brakes (Oil Bath)
G.A.W.R. (Ea. Axle)	15,000#	SUSPENSION	44K Adjustable
COUPLER	30K, 2-5/16" Ball Crank Type Adjustable	TIRE	215/75R 17.5 Load Range H
SAFETY CHAINS	1/2" Grd. 80 w/Safety Latch Hook (2 each)	WHEEL	17.5 HC x 6.75 8x275MM BC Hub Pilot
JACK	Dual Two Speed Landing Gear (Bolted On)	FLOOR	2" Pine
NECK	12" I-Beam	LIGHTS	LED D.O.T. Stop, Tail, Turn & Clearance w/Ctr Turns
TOP RAIL	None	ELEC. PLUG	7-Way RV
FRAME	12 x 22# Up To 30', 14 x 22# on 30' +	FINISH (Prep)	Steel is Cleaned to Ensure a Professional Smooth Finish.
CROSSMEMBERS	6" Jr. I-Beam, 16" Centers	FINISH	Superior Quality Finish is Applied for a Highly Decorative and Protective Finish.
SIDE RAILS	8" Channel w/Rub Rail, Stake Pockets on 24" Centers, and Chain Spools		

Standard Features

- Safety Chains Attchd w/Cold Rolled Eyelets
- Modular Sealed Wiring Harness
- 102" Overall Width
- Low Profile Bed, Pierced Frame
- 28' (Flat Deck) and Longer Include Torque Tube
- Lockable Toolbox Between GN Uprights
- Safety Reflective Marker Tape
- Rubber Mounted Sealed LED Lighting
- Heavy Duty Oil Bath Axles w/Electric Brake on Each
- 1-1/4" Pipe Chain Spools Between Stake Pockets
- Complete Break-A-Way System w/Battery & Charger
- Spare Tire Mount
- 2 Side Bed Steps
- 5' Dove Tail w/Double Hinged Spring Assist Fold Over Ramps

Dimensions w/Straight Deck				w/Dovetail	
Length	A	B	C	B	C
20'	240"	160"	80"	186"	54"
24'	288"	192"	96"	232"	56"
26'	312"	208"	104"	248"	64"
28'	336"	224"	112"	264"	72"
30'	360"	240"	120"	280"	80"



MODEL#	WEIGHT	DESCRIPTION
*3XGN-20+5	6,230#	102" x 20' + 5' Tandem Dual 30,000# Gooseneck
*3XGN-24+5	7,190#	102" x 24' + 5' Tandem Dual 30,000# Gooseneck
*3XGN-26+5	7,670#	102" x 26' + 5' Tandem Dual 30,000# Gooseneck
*3XGN-28+5	8,150#	102" x 28' + 5' Tandem Dual 30,000# Gooseneck
*3XGN-30+5	8,630#	102" x 30' + 5' Tandem Dual 30,000# Gooseneck

OPTIONS

Air Brake w/ABS on Front, Spring Break Chambers & Auto Slacks	Low Profile Tool Box 12" x 18" x 36" Side Mount
Electric Over Hydraulic Brakes (Drum)	Deck on the Neck (6')
Spare Tire (215/75R 17.5 LR-H)	No Dovetail Option (Straight Deck)

* Trailer is subject to Federal Excise Tax



Dump Trailers



www.bigtextrailers.com

TOUGH AS A TEXAS LONGHORN

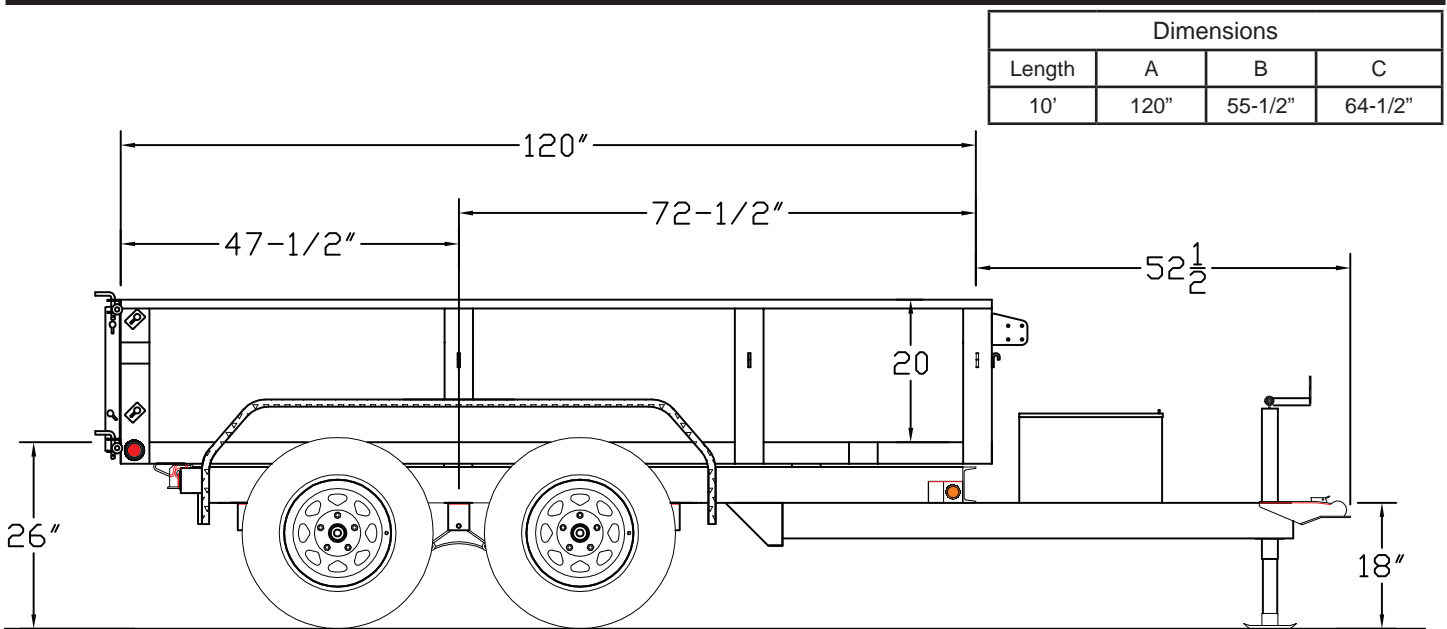
DUMPS

70SR Tandem Axle Single Ram Dump

G.V.W.R.	7,000#
G.A.W.R. (Ea. Axle)	3,500#
COUPLER	2-5/16" Stamped A-Frame
SAFETY CHAINS	1/4" Grd. 70 w/Safety Latch Hook (2 each)
JACKS	2K Top Wind (Bolted On)
TONGUE	5" Channel
FRAME	5" Channel
CROSSMEMBERS	6" Channel
BED CROSSMEMBERS	2" x 2" Square Tubing
BED SIDE RAILS	3" x 2" Tubing
FENDERS	9" x 72" DSB Diamond Plate
AXLES	Two 3,500# EZ Lube w/Elec. Brakes
SUSPENSION	Multi-Leaf Spring w/Equalizer
TIRE	ST205/75-15 Load Range C
WHEEL	15 x 5 White Spoke 5 Bolt
FLOOR	16 Gauge Smooth Steel
LIGHTS	LED D.O.T. Stop, Tail, Turn & Clearance
ELEC. PLUG	7-Way RV
FINISH (Prep)	Steel is Cleaned to Ensure a Professional Smooth Finish.
FINISH	Superior Quality Finish is Applied for a Highly Decorative and Protective Finish.

Standard Features

- Safety Chains Attached w/Cold Rolled Eyelets
- Lockable Pump & Battery Box Mounted in Front of Bed
- 20", 16 Ga. Sides w/Formed Channel Supports
- J-Hooks for Tie Down
- Tarp Brackets
- Single Cylinder Lift
- 45 Degree Dump Angle
- Cambered EZ Lube Axles w/Electric Brake on Each
- Complete Break-A-Way System w/Charge Line
- Grommet Mount Sealed LED Lighting
- 1 Piece 2 Way Style Rear Gate



MODEL#	DESCRIPTION
70SR-10-5W	60" x 10' Tandem Axle Single Ram Dump
70SR-10	72" x 10' Tandem Axle Single Ram Dump

TRAILER WEIGHTS & CAPACITIES

LENGTH	EMPTY WEIGHT	PAYLOAD	BOX CAPACITY
10'-5W	1,730#	5,120#	3.0 Cubic Yards
10'	2,000#	5,000#	3.75 Cubic Yards

OPTIONS

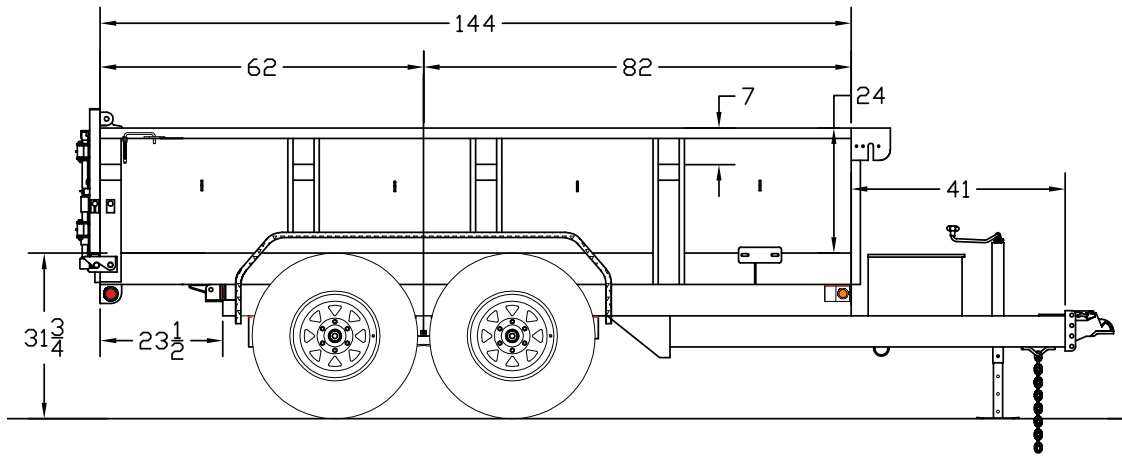
Spare Tire (ST205/75-15 LR-C)	5 Watt Solar Charger
Wireless Remote	110V Charger
2 Watt Solar Charger	Crank Style Roll Tarp

10SR Tandem Axle Single Ram Dump

G.V.W.R.	9,990#	AXLES	Two 5,200# EZ Lube w/Elec. Brakes
G.A.W.R. (Ea. Axle)	5,200#	SUSPENSION	Multi-Leaf Spring w/Equalizer
COUPLER	2-5/16" Adjustable Forged	TIRE	ST235/80 D-16 Load Range E
SAFETY CHAINS	1/4" Grd. 70 w/Safety Latch Hook (2 each)	WHEEL	16 x 6 White Spoke 6 Bolt
JACKS	7K TW Drop Leg (Bolted On)	FLOOR	10 Gauge Smooth Steel
TONGUE	6" Channel	LIGHTS	LED D.O.T. Stop, Tail, Turn & Clearance
FRAME	6" Channel	ELEC. PLUG	7-Way RV
CROSSMEMBERS	8" Channel	FINISH (Prep)	Steel is Cleaned to Ensure a Professional Smooth Finish.
BED CROSSMEMBERS	2" x 2" Tubing	FINISH	Superior Quality Finish is Applied for a Highly Decorative and Protective Finish.
BED LONG SILS	4" Channel		
BED SIDE RAILS	6 1/2" Formed Angle		
FENDERS	9" x 72" Double Square Broke Diamond Plate		

Standard Features

- Safety Chains Attached w/Cold Rolled Eyelets
- Lockable Pump & Battery Box Mounted in Front of Bed
- Modular Sealed Wiring Harness
- 24", 12 Ga. Sides
- 10 Ga. Floor
- J-Hooks for Tie Down
- 13 Stake Pockets (Sides & Front)
- Fully Formed Shroud for Tarp
- Self Contained Electric/Hydraulic Single Cylinder Lift
- 45 Degree Dump Angle
- Cambered EZ Lube Axles w/Electric Brake on Each
- Complete Break-A-Way System w/Charge Line
- Grommet Mount Sealed LED Lighting
- Combo Gate
- Available in Black Only



MODEL#	DESCRIPTION
10SR-12XL	83" x 12' Low Profile Tandem Axle Dump

TRAILER WEIGHTS & CAPACITIES

LENGTH	EMPTY WEIGHT	PAYLOAD	BOX CAPACITY
12'	3,730#	6,660#	6.1 Cubic Yards

OPTIONS

Spare Tire (ST 235/80 D-16 LR-E)	5 Watt Solar Charger
7' Slide In Ramps	110V Charger
Wireless Remote	Crank Style Roll Tarp
2 Watt Solar Charger	

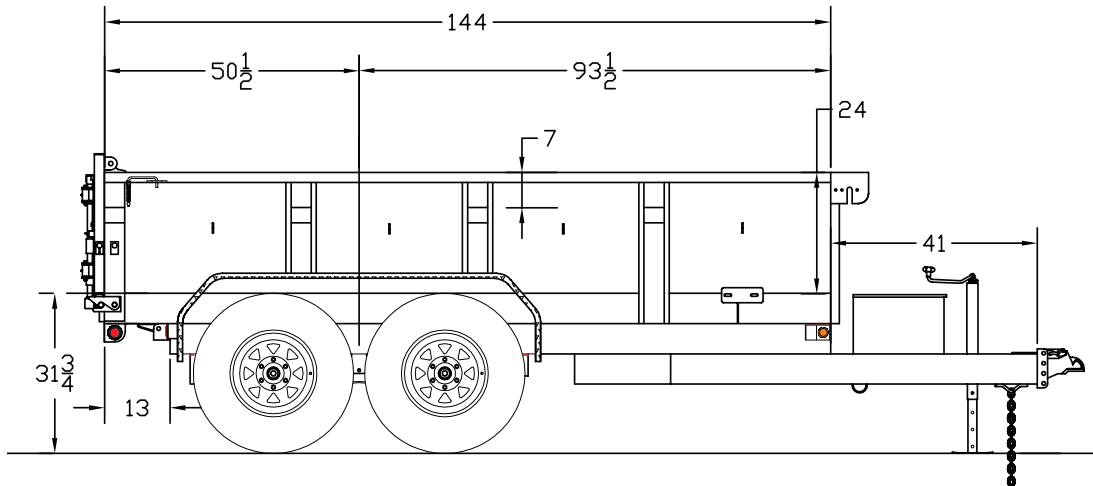
STANDARD MODEL - NO OTHER OPTIONS AVAILABLE

10LX Tandem Axle Low Profile Extra Wide Dump

G.V.W.R.	9,990#	AXLES	Two 5,200# EZ Lube w/Elec. Brakes
G.A.W.R. (Ea. Axle)	5,200#	SUSPENSION	Multi-Leaf Spring w/Equalizer
COUPLER	2-5/16" Adjustable Forged	TIRE	ST235/80 D-16 Load Range E
SAFETY CHAINS	1/4" Grd. 70 w/Safety Latch Hook (2 each)	WHEEL	16 x 6 White Spoke 6 Bolt
JACKS	7K TW Drop Leg (Bolted On)	FLOOR	10 Gauge Smooth Steel
TONGUE	6" Channel	LIGHTS	LED D.O.T. Stop, Tail, Turn & Clearance
FRAME	6" Channel	ELEC. PLUG	7-Way RV
CROSSMEMBERS	4" 13# I-Beam	FINISH (Prep)	Steel is Cleaned to Ensure a Professional Smooth Finish.
BED CROSSMEMBERS	3" Channel	FINISH	Superior Quality Finish is Applied for a Highly Decorative and Protective Finish.
BED LONG SILS	3" Channel		
BED SIDE RAILS	6-1/2" Formed Angle		
FENDERS	Double Square Broke Diamond Plate		

Standard Features

- Safety Chains Attached w/Cold Rolled Eyelets
- Lockable Pump & Battery Box Mounted in Front of Bed
- 24", 12 Ga. Sides w/Formed Channel Supports
- Modular Sealed Wiring Harness
- 10 Ga. Floor
- J-Hooks for Tie Down
- Stake Pockets
- Fully Formed Shroud for Tarp
- 4-5/8" D-Rings Inside Bed
- Self Contained Electric/Hydraulic Scissor Lift
- 45 Degree Dump Angle
- Cambered EZ Lube Axles w/Electric Brake on Each
- Complete Break-A-Way System w/Charge Line
- Grommet Mount Sealed LED Lighting
- Combo Gate



MODEL#	DESCRIPTION
10LX-10	83" x 10' Low Profile Tandem Axle Dump
10LX-12	83" x 12' Low Profile Tandem Axle Dump

TRAILER WEIGHTS & CAPACITIES

LENGTH	EMPTY WEIGHT	PAYLOAD	BOX CAPACITY
10'			5.2 Cubic Yards
12'	3,680#	8,320#	5.2 Cubic Yards

OPTIONS

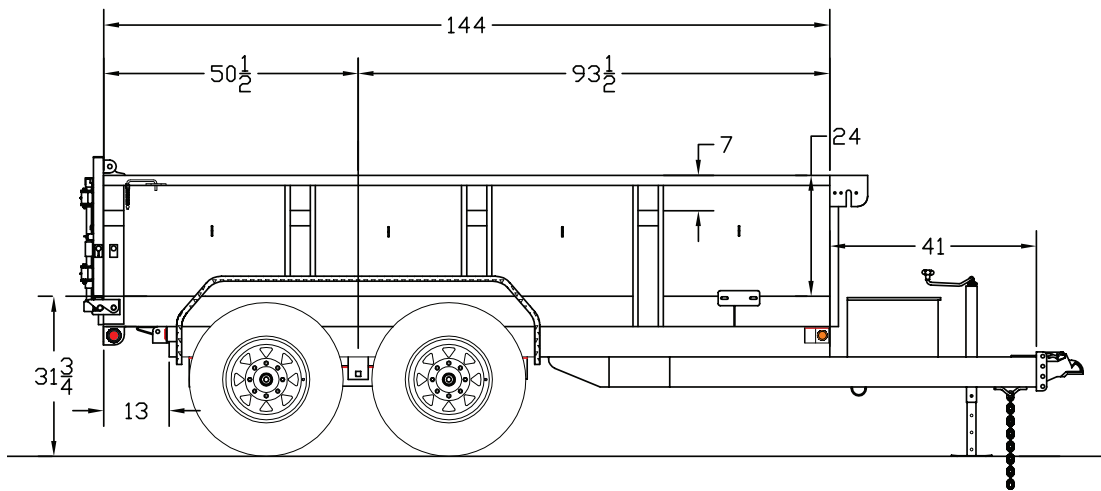
Adjustable Pintle in Channel	7' Slide In Ramps
Hydraulic Surge Brakes on Both Axles	Wireless Remote
12K Heavy Duty Top Wind Drop Leg Jack	2 Watt Solar Charger
Spare Tire (ST235/80 D-16 LR-E)	5 Watt Solar Charger
24" Expanded Metal Side Extensions - 10'	110V Charger
24" Expanded Metal Side Extensions - 12'	Crank Style Roll Tarp

12LX Tandem Axle Low Profile Extra Wide Dump

G.V.W.R.	12,000#	AXLES	Two 6,000# EZ Lube w/Elec. Brakes
G.A.W.R. (Ea. Axle)	6,000#	SUSPENSION	Multi-Leaf Slipper Spring w/Equalizer
COUPLER	2-5/16" Adjustable Forged	TIRE	ST235/80 R-16 Load Range E
SAFETY CHAINS	1/4" Grd. 70 w/Safety Latch Hook (2 each)	WHEEL	16 x 6 White Spoke 8 Bolt
JACKS	7K TW Drop Leg (Bolted On)	FLOOR	10 Gauge Smooth Steel
TONGUE	6" Channel	LIGHTS	LED D.O.T. Stop, Tail, Turn & Clearance
FRAME	6" x 3" Rect Tube	ELEC. PLUG	7-Way RV
CROSSMEMBERS	6" Channel	FINISH (Prep)	Steel is Cleaned to Ensure a Professional Smooth Finish.
BED CROSSMEMBERS	3" Channel	FINISH	Superior Quality Finish is Applied for a Highly Decorative and Protective Finish.
BED LONG SILS	3" Channel		
BED SIDE RAILS	6-1/2" Formed Angle		
FENDERS	Double Square Broke Diamond Plate		

Standard Features

- Safety Chains Attached w/Cold Rolled Eyelets
- Lockable Pump & Battery Box Mounted in Front of Bed
- 24", 12 Ga. Sides w/Formed Channel Supports
- Modular Sealed Wiring Harness
- 10 Ga. Floor
- J-Hooks for Tie Down
- Stake Pockets
- Fully Formed Shroud for Tarp
- 4-5/8" D-Rings Inside Bed
- Self Contained Electric/Hydraulic Scissor Lift
- 45 Degree Dump Angle
- Cambered EZ Lube Axles w/Electric Brake on Each
- Complete Break-A-Way System w/Charge Line
- Grommet Mount Sealed LED Lighting
- Combo Gate



MODEL#	DESCRIPTION
12LX-12	83" x 12' Low Profile Tandem Axle Dump

TRAILER WEIGHTS & CAPACITIES

LENGTH	EMPTY WEIGHT	PAYLOAD	BOX CAPACITY
12'	3,680#	8,320#	6.2 Cubic Yards

OPTIONS

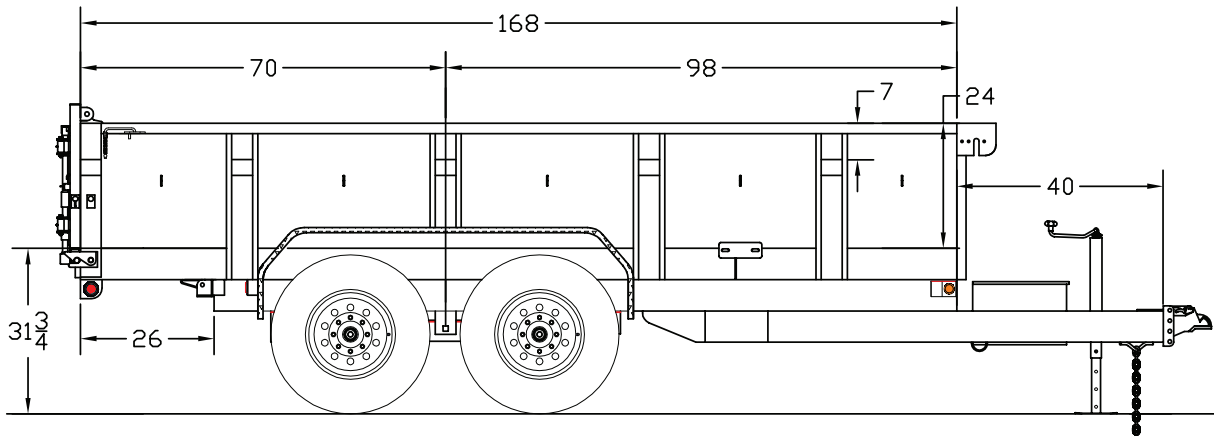
Adjustable Pintle in Channel	Wireless Remote
Hydraulic Surge Brakes on Both Axles	2 Watt Solar Charger
12K Heavy Duty Top Wind Drop Leg Jack	5 Watt Solar Charger
Spare Tire (ST235/80 R-16 LR-E)	110V Charger
24" Expanded Metal Side Extensions - 12'	Crank Style Roll Tarp
7' Slide In Ramps	

14LX Tandem Axle Low Profile Extra Wide Dump

G.V.W.R.	14,000#	AXLES	Two 7,000# EZ Lube w/Elec. Brake
G.A.W.R. (Ea. Axle)	7,000#	SUSPENSION	Multi-Leaf Slipper Spring w/Equalizer
COUPLER	2-5/16" Adjustable Forged	TIRE	ST235/80 R-16 Load Range E
SAFETY CHAINS	3/8" Grd. 70 w/Safety Latch Hook (2 each)	WHEEL	16 x 6 HD White Modular 8 Bolt
JACKS	7K TW Drop Leg	FLOOR	10 Gauge Smooth Steel
TONGUE	6" Channel Fold Back	LIGHTS	LED D.O.T. Stop, Tail, Turn & Clearance
FRAME	6" x 3" Tube on 14' / 8" x 3" Tube on 16'	ELEC. PLUG	7-Way RV
CROSSMEMBERS	6" Channel	FINISH (Prep)	Steel is Cleaned to Ensure a Professional Smooth Finish.
BED CROSSMEMBERS	3" Channel	FINISH	Superior Quality Finish is Applied for a Highly Decorative and Protective Finish.
BED LONG SILS	3" Channel		
BED SIDE RAILS	6-1/2" Formed Angle		
FENDERS	Double Square Broke Diamond Plate		

Standard Features

- Safety Chains Attached w/Cold Rolled Eyelets
- Lockable Pump & Battery Box Mounted in Front of Bed
- Modular Sealed Wiring Harness
- 24", 12 Ga. Sides w/Formed Channel Supports
- 10 Ga. Floor
- J-Hooks for Tie Down
- Stake Pockets
- Fully Formed Shroud for Tarp
- 4-5/8" D-Rings Inside Bed
- Fully Self Contained Electric Hydraulic Scissor Lift
- 45 Degree Dump Angle
- Cambered EZ Lube Axles w/Electric Brake on Each
- Complete Break-A-Way System w/Charge Line
- Grommet Mount Sealed LED Lighting
- Combo Gate



MODEL#	DESCRIPTION
14LX-14	83" x 14' Low Profile Tandem Axle Bumper Pull Dump
14LX-16	83" x 16' Low Profile Tandem Axle Bumper Pull Dump

TRAILER WEIGHTS & CAPACITIES

LENGTH	EMPTY WEIGHT	PAYLOAD	BOX CAPACITY
14LX-14'	4,140#	9,860#	7.2 Cubic Yards
14LX-16'	4,500#	9,500#	8.3 Cubic Yards

OPTIONS

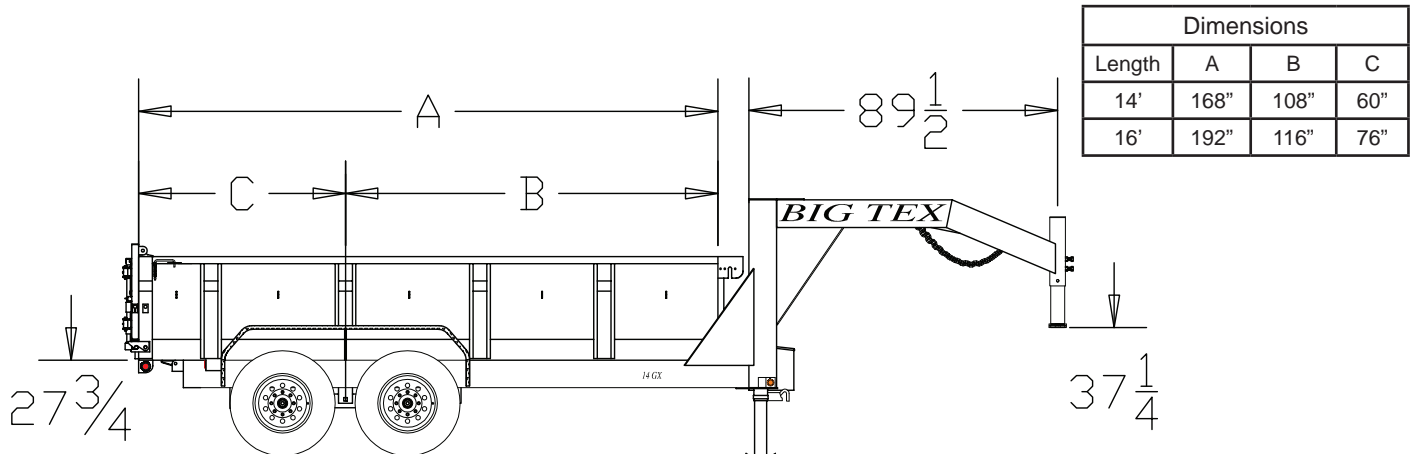
Spare Tire (ST235/80 R-16 LR-E)	Wireless Remote
Tire Upgrade (ST235/16 LR-G)	2 Watt Solar Charger
Spare Tire Upgrade (ST235/16 LR-G)	5 Watt Solar Charger
Expanded Metal Side Extensions - 14'	110V Charger
Expanded Metal Side Extensions - 16'	Crank Style Roll Tarp
7' Slide In Ramps	

14GX Tandem Axle Low Profile Extra Wide Dump

G.V.W.R.	14,000#	AXLES	Two 7,000# EZ Lube w/Elec. Brake
G.A.W.R. (Ea. Axle)	7,000#	SUSPENSION	Multi-Leaf Slipper Spring w/Equalizer
COUPLER	2-5/16" Adjustable Pipe	TIRE	ST235/80 R-16 Load Range E
SAFETY CHAINS	3/8" Grd. 70 w/Safety Latch Hook (2 each)	WHEEL	16 x 6 HD White Modular 8 Bolt
JACKS	Dual 12K SW Drop Legs	FLOOR	10 Gauge Smooth Steel
NECK	8" Channel	LIGHTS	LED D.O.T. Stop, Tail, Turn & Clearance
FRAME	8" x 3" Rect Tube	ELEC. PLUG	7-Way RV
CROSSMEMBERS	8" Channel	FINISH (Prep)	Steel is Cleaned to Ensure a Professional Smooth Finish.
BED CROSSMEMBERS	3" Channel	FINISH	Superior Quality Finish is Applied for a Highly Decorative and Protective Finish.
BED LONG SILS	3" Channel		
BED SIDE RAILS	6-1/2" Formed Angle		
FENDERS	Double Square Broke Diamond Plate		

Standard Features

- Safety Chains Attached w/Cold Rolled Eyelets
- Lockable Pump & Battery Box Mounted in Front of Bed
- Modular Sealed Wiring Harness
- 24", 12 Ga. Sides w/Formed Channel Supports
- 10 Ga. Floor
- J-Hooks for Tie Down
- Stake Pockets
- Fully Formed Shroud for Tarp
- 4-5/8" D-Rings Inside Bed
- Fully Self Contained Electric Hydraulic Scissor Lift
- 45 Degree Dump Angle
- Cambered EZ Lube Axles w/Electric Brake on Each
- Complete Break-A-Way System w/Charge Line
- Grommet Mount Sealed LED Lighting
- Combo Gate



MODEL#	DESCRIPTION
14GX-14	83" x 14' Low Profile Tandem Axle Gooseneck Dump
14GX-16	83" x 16' Low Profile Tandem Axle Gooseneck Dump

TRAILER WEIGHTS & CAPACITIES

LENGTH	EMPTY WEIGHT	PAYLOAD	BOX CAPACITY
14GX-14'	4,640#	9,360#	7.2 Cubic Yards
14GX-16'	5,000#	9,000#	8.3 Cubic Yards

OPTIONS

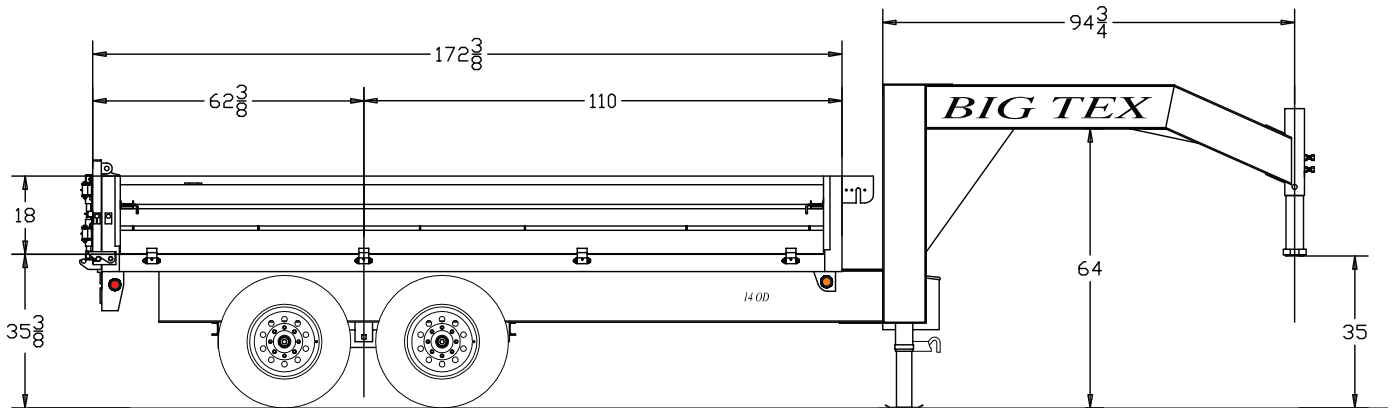
Spare Tire (ST235/80 R-16 LR-E)	Wireless Remote
Tire Upgrade (ST235/16 LR-G)	2 Watt Solar Charger
Spare Tire Upgrade (ST235/16 LR-G)	5 Watt Solar Charger
Expanded Metal Side Extensions - 14'	110V Charger
Expanded Metal Side Extensions - 16'	Crank Style Roll Tarp
7' Slide In Ramps	

140D/140D-GN Tandem Over The Axle Dump

G.V.W.R. 14,000#	AXLES Two 7,000# EZ Lube w/Elec. Brake
G.A.W.R. (Ea. Axle) 7,000#	SUSPENSION Multi-Leaf Slipper Spring w/Equalizer
COUPLER 2-5/16" Adjustable Forged - OD 2-5/16" Adjustable Pipe - OD GN	TIRE ST235/80 R-16 Load Range E
SAFETY CHAINS 3/8" Grd. 70 w/Safety Latch Hook (2 each)	WHEEL 16 x 6 HD White Modular 8 Bolt
JACKS OD-12K TWDrop Leg OD GN-Dual 12K SW Drop Legs	FLOOR 10 Gauge Smooth Steel
TONGUE 12" I-Beam	LIGHTS LED D.O.T. Stop, Tail, Turn & Clearance
FRAME 12" I-Beam	ELEC. PLUG 7-Way RV
CROSSMEMBERS 4" I-Beam and 3" x 3" Tube	FINISH (Prep) Steel is Cleaned to Ensure a Professional Smooth Finish.
BED CROSSMEMBERS 3" Channel	FINISH Superior Quality Finish is Applied for a Highly Decorative and Protective Finish.
BED LONG SILS 5" Channel	
BED SIDE RAILS 4" x 3" Angle	

Standard Features

- Safety Chains Attached w/Cold Rolled Eyelets
- Lockable Pump & Battery Box Mounted in Front of Bed
- Modular Sealed Wiring Harness
- 18", 10 Ga. Fold Down Sides
- 10 Ga. Floor
- Fully Formed Shroud for Tarp
- 4-5/8" D-Rings Inside Bed
- Fully Self Contained Electric Hydraulic Scissor Lift
- 45 Degree Dump Angle
- Cambered EZ Lube Axles w/Electric Brake on Each
- Complete Break-A-Way System w/Charge Line
- Grommet Mount Sealed LED Lighting
- 7' Slide In Ramps
- Combo Gate



MODEL#	DESCRIPTION
140D	96" x 14' Over the Axle Bumper Pull Dump
140D-GN	96" x 14' Over the Axle Gooseneck Dump

TRAILER WEIGHTS & CAPACITIES

LENGTH	EMPTY WEIGHT	PAYLOAD	BOX CAPACITY
140D-14'	4,140#	9,860#	6.2 Cubic Yards
140D-GN-14'	5,150#	8,850#	6.2 Cubic Yards

OPTIONS

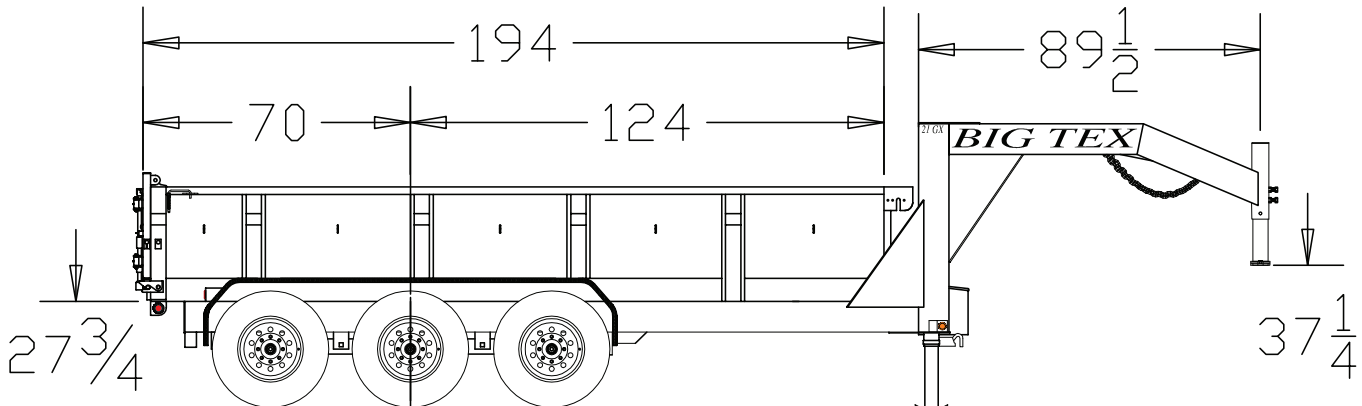
Spare Tire (ST235/80 D-16 LR-E)	2 Watt Solar Charger
Tire Upgrade (ST235/16 LR-G)	5 Watt Solar Charger
Spare Tire Upgrade (ST235/16 LR-G)	110V Charger
Wireless Remote	Crank Style Roll Tarp

21GX Triple Axle Low Profile Extra Wide Dump

G.V.W.R.	21,000#	AXLES	Three 7,000# EZ Lube w/Elec. Brake
G.A.W.R. (Ea. Axle)	7,000#	SUSPENSION	Multi-Leaf Slipper Spring w/Equalizer
COUPLER	2-5/16" Adjustable Pipe	TIRE	ST235/80 R-16 Load Range E
SAFETY CHAINS	3/8" Grd. 70 w/Safety Latch Hook (2 each)	WHEEL	16 x 6 HD White Modular 8 Bolt
JACKS	Dual 12K SW Drop Legs	FLOOR	10 Gauge Smooth Steel
NECK	8" Channel	LIGHTS	LED D.O.T. Stop, Tail, Turn & Clearance
FRAME	8" x 3" Rect Tube	ELEC. PLUG	7-Way RV
CROSSMEMBERS	6" Channel, 3" x 3" Tubing	FINISH (Prep)	Steel is Cleaned to Ensure a Professional Smooth Finish.
BED CROSSMEMBERS	3" Channel	FINISH	Superior Quality Finish is Applied for a Highly Decorative and Protective Finish.
BED LONG SILS	5" Channel		
BED SIDE RAILS	6-1/2" Formed Angle		
FENDERS	Double Square Broke Diamond Plate		

Standard Features

- Safety Chains Attached w/Cold Rolled Eyelets
- Lockable Pump & Battery Box Mounted in Front of Bed
- Modular Sealed Wiring Harness
- 24", 12 Ga. Sides w/Formed Channel Supports
- 10 Ga. Floor
- J-Hooks for Tie Down
- Stake Pockets
- Fully Formed Shroud for Tarp
- 4-5/8" D-Rings Inside Bed
- Fully Self Contained Electric Hydraulic Scissor Lift
- 45 Degree Dump Angle
- Cambered EZ Lube Axles w/Electric Brake on Each
- Complete Break-A-Way System w/Charge Line Spare Mount
- Grommet Mount Sealed LED Lighting
- Combo Gate



MODEL#	DESCRIPTION
21GX-16	83" x 16' Low Profile Tandem Axle Gooseneck Dump

TRAILER WEIGHTS & CAPACITIES

LENGTH	EMPTY WEIGHT	PAYLOAD	BOX CAPACITY
21GX-16	6,160#	14,800#	8.3 Cubic Yards

OPTIONS

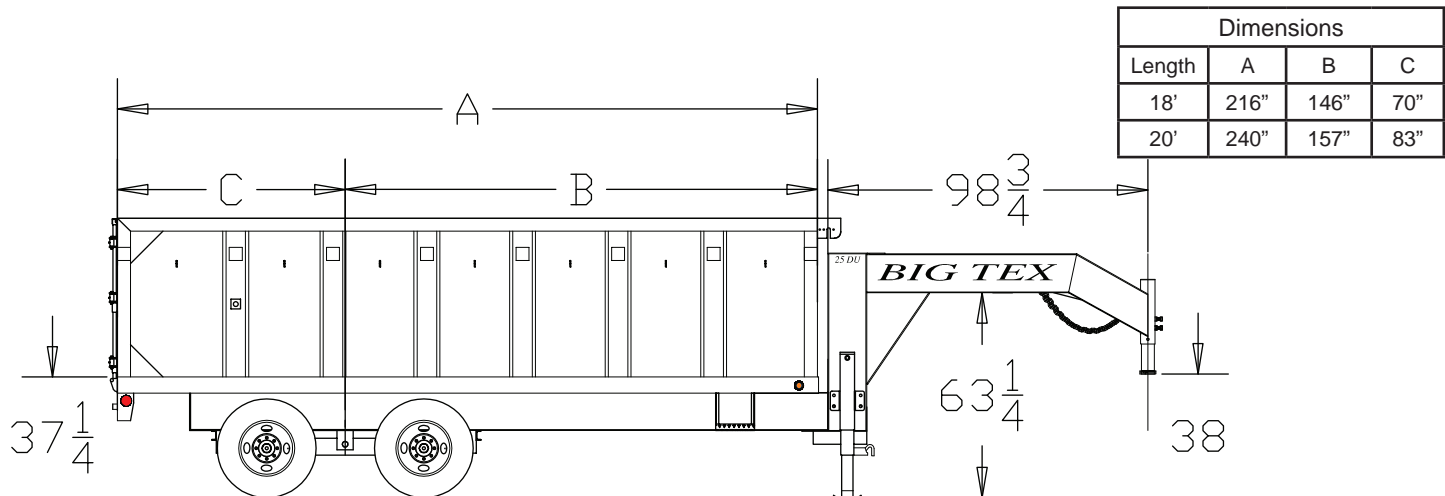
Spare Tire (ST235/80 R-16 LR-E)	Wireless Remote
Tire Upgrade (ST235/16 LR-G)	2 Watt Solar Charger
Spare Tire Upgrade (ST235/16 LR-G)	5 Watt Solar Charger
Expanded Metal Side Extensions	110V Charger
7' Slide In Ramps	Crank Style Roll Tarp

25DU Tandem Dual Gooseneck Dump

G.V.W.R.	25,900#	AXLES	Two 10,000# Dual Wheel Oil Bath Electric Brakes
G.A.W.R. (Ea. Axle)	10,000#	SUSPENSION	Multi-Leaf Slipper Spring w/Equalizer
COUPLER	30K 2-5/16" Adjustable Crank Type	TIRE	ST235/80 R-16 Load Range E
SAFETY CHAINS	3/8" Grd. 70 w/Safety Latch Hook (2 each)	WHEEL	16 x 6 Dual 8 Bolt
JACKS	Two 12K Drop Leg Jacks (Bolted On)	FLOOR	10 Gauge Smooth Steel
NECK	12" I-Beam	LIGHTS	LED D.O.T. Stop, Tail, Turn & Clearance
FRAME	12" x 12# I-Beam	ELEC. PLUG	7-Way RV
FRAME CROSSMEMBERS	8" Channel	FINISH (Prep)	Steel is Cleaned to Ensure a Professional Smooth Finish.
BED CROSSMEMBERS	3" Channel	FINISH	Superior Quality Finish is Applied for a Highly Decorative and Protective Finish.
BED LONG SILS	8" Channel		
SIDE RAILS	5" x 3" Angle		

Standard Features

- Safety Chains Attached w/Cold Rolled Eyelets
- Lockable Pump & Battery Box Between Gooseneck Uprights
- 48" Sides w/Formed Channel Supports
- J-Hooks for Tie Down
- Heavy Duty 10 Gauge Floor
- 4-5/8" D-Rings Inside Bed
- Self Contained Electric Hydraulic Scissor Lift
- 45 Degree Dump Angle
- Rubber Mounted Sealed LED Lighting & Modular Sealed Wiring Harness
- Complete Break-A-Way System w/Charge Line
- Spare Tire Mount
- Double Rear Gates w/Cam Latch
- Removable Header Across Rear



MODEL#	DESCRIPTION
25DU-18	92" x 18' Tandem Dual Gooseneck Dump
25DU-20	92" x 20' Tandem Dual Gooseneck Dump

TRAILER WEIGHTS & CAPACITIES

LENGTH	EMPTY WEIGHT	PAYLOAD	BOX CAPACITY
18'	8,100#	17,800#	21.98 Cubic Yards
20'	8,560#	17,340#	23.70 Cubic Yards

OPTIONS

Dual 2-Speed Landing Gear	5 Watt Solar Charger
Spare Tire (ST235/80 R-16 LR-E)	110V Charger
8' Slide In Ramps	Crank Style Roll Tarp
Wireless Remote	Roll Tarp w/Side Flaps - 18'
2 Watt Solar Charger	Roll Tarp w/Side Flaps - 20'



Heavy Equipment



www.bigtextrailers.com

TOUGH AS A TEXAS LONGHORN

**HEAVY
EQUIPMENT**

20ED/20AD Pintle Equipment Transport

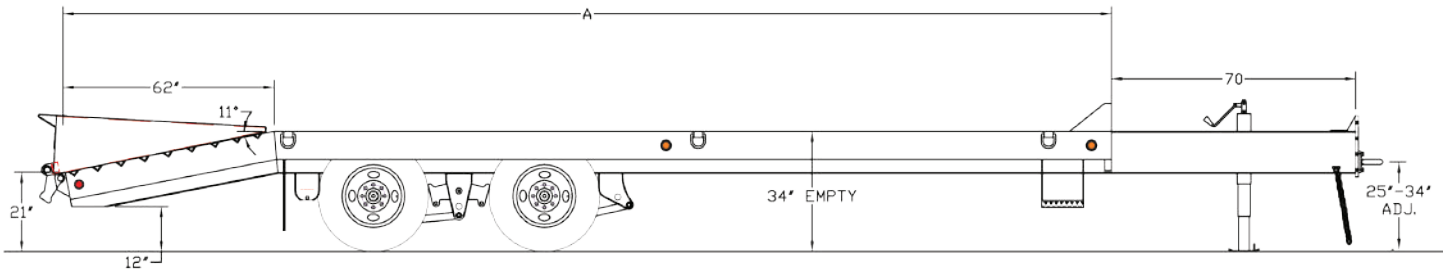
G.V.W.R.	25,900#	AXLES	Two 10,000# Heavy Duty Dual Wheel Axles - Oil Bath; Electric Brakes (ED) or Air Brakes (AD)
G.A.W.R. (Ea. Axle)	10,000#	SUSPENSION	44K Adjustable
COUPLER	60K, 3" ID Pintle Eye	TIRE	ST235/16 Load Range E
SAFETY CHAINS	3/8" Grd. 70 w/Safety Latch Hook (2 each)	WHEEL	16 x 6 Dual 8 Bolt
JACK	12K TW Drop Leg Jack	FLOOR	2" Nominal Oak (S4S)
TONGUE	Integral w/Frame	LIGHTS	LED D.O.T. Stop, Tail, Turn & Clearance
TOP RAIL	None	ELEC. PLUG	7-Way RV
FRAME	12" - 19# I-Beam	FINISH (Prep)	Steel is Cleaned to Ensure a Professional Smooth Finish.
CROSSMEMBERS	6" Jr. I-Beam on 16" Centers	FINISH	Superior Quality Finish is Applied for a Highly Decorative and Protective Finish.
SIDE RAILS	8" Channel		

Standard Features

- 3 Position Pintle Adjustment
- Safety Chains Attd w/Cold Rolled Eyelets
- Storage Area in Tongue
- Modular Sealed Wiring Harness
- Bolt On Jack
- Safety Reflective Marker Tape
- 102" Wide
- Low Profile Bed
- 2 Side Bed Steps
- Oak Flooring
- 6 - 5/8" O.D. D-Rings
- 12-1/4 x 4 HD Brakes; Electric has complete Break-A-Way System and Air has Automatic Slack Adjusters, Spring Brakes and ABS
- All Rubber Mounted Sealed LED Lighting
- 5' Dove Tail w/Double Hinged Spring Assist Ramps

Dimensions With Dovetail

Length	A	B	C
20' + 5'	300"	113"	187"
24' + 5'	348"	137"	211"



MODEL#	WEIGHT	DESCRIPTION
20ED-20+5	5,900#	102" X 20' + 5' Tandem Dual 25,900# Pintle w/Electric Brakes
20ED-24+5	7,020#	102" x 24' + 5' Tandem Dual 25,900# Pintle w/Electric Brakes
20AD-20+5	5,900#	102" x 20' + 5' Tandem Dual 25,900# Pintle w/Air Brakes
20AD-24+5	7,020#	102" x 24' + 5' Tandem Dual 25,900# Pintle w/Air Brakes

OPTIONS

Vertical Spare Mount	Spare Tire (ST235/80 R-16 LR-E)
Single 2 Speed Drop Leg Jack	Tire Upgrade (LR-G)
Dual Single Speed Drop Leg Jack	Spare Tire Upgrade (LR-G)
Dual 2 Speed Landing Gear Jacks (50K)	Tire Upgrade (ST215/17.5 LR-H)
Lockable Lid Cover Tool Storage in Tongue	Spare Tire Upgrade (ST215/17.5 LR-H)
Extra 5/8" D-Ring (Each)	

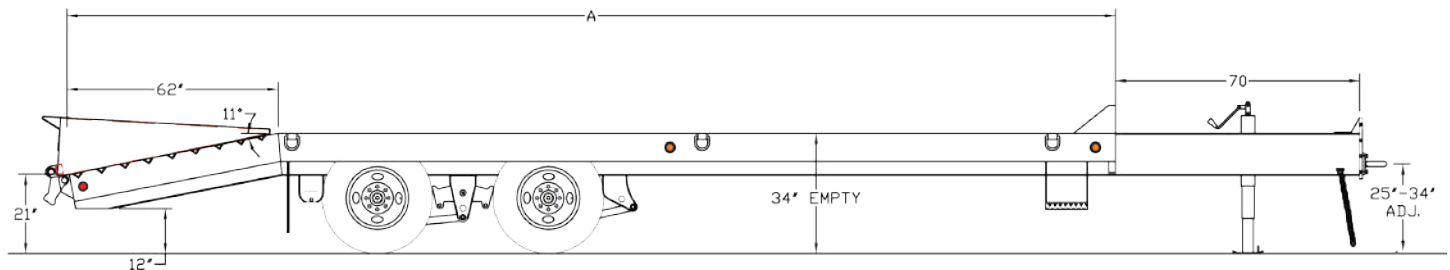
24ED/24AD Pintle Equipment Transport

G.V.W.R.	30,000#	AXLES	Two 12,000# Heavy Duty Dual Wheel Axles - Oil Bath; Electric Brakes (ED) or Air Brakes (AD)
G.A.W.R. (Ea. Axle)	12,000#	SUSPENSION	44K Adjustable
COUPLER	60K, 3" ID Pintle Eye	TIRE	ST235/16 Load Range G
SAFETY CHAINS	1/2" Grd. 80 w/Safety Latch Hook (2 each)	WHEEL	16 x 6 Dual 8 Bolt
JACK	12K TW Drop Leg Jack	FLOOR	2" Nominal Oak (S4S)
TONGUE	Integral w/Frame	LIGHTS	LED D.O.T. Stop, Tail, Turn & Clearance
TOP RAIL	None	ELEC. PLUG	7-Way RV
FRAME	12" - 22# I-Beam	FINISH (Prep)	Steel is Cleaned to Ensure a Professional Smooth Finish.
CROSSMEMBERS	6" Jr. I-Beam on 16" Centers	FINISH	Superior Quality Finish is Applied for a Highly Decorative and Protective Finish.
SIDE RAILS	8" Channel		

Standard Features

- 3 Position Pintle Adjustment
- Safety Chains Attchd w/Cold Rolled Eyelets
- Storage Area in Tongue
- Modular Sealed Wiring Harness
- Bolt On Jack
- Safety Reflective Marker Tape
- 102" Wide
- Low Profile Bed
- 2 Side Bed Steps
- Oak Flooring
- 6 - 5/8" O.D. D-Rings
- 12-1/4 x 4 HD Brakes; Electric has complete Break-A-Way System and Air has Automatic Slack Adjusters, Spring Brakes and ABS
- Rubber Mounted Sealed LED Lighting
- 5' Dove Tail w/Double Hinged Spring Assist Ramps

Dimensions With Dovetail			
Length	A	B	C
20' + 5'	300"	113"	187"
24' + 5'	348"	137"	211"



MODEL#	WEIGHT	DESCRIPTION
*24ED-20+5	6,000#	102" x 20' + 5' Tandem Dual 30,000# Pintle w/Electric Brakes
*24ED-24+5	7,120#	102" x 24' + 5' Tandem Dual 30,000# Pintle w/Electric Brakes
*24AD-20+5	6,000#	102" x 20' + 5' Tandem Dual 30,000# Pintle w/Electric Brakes
*24AD-24+5	7,120#	102" x 24' + 5' Tandem Dual 30,000# Pintle w/Electric Brakes

OPTIONS

Vertical Spare Mount	Extra 5/8" D- Ring (Each)
Single 2 Speed Drop Leg Jack	Spare Tire (ST235/80 R-16 LR-G Dual)
Dual 2 Speed Landing Gear Jacks (50K)	Tire Upgrade (ST215/17.5 LR-H)
Lockable Lid Cover Tool Storage in Tongue	Spare Tire Upgrade (ST215/17.5 LR-H)

*** Trailer is subject to Federal Excise Tax**

4XPH Pintle Heavy Equipment Transport

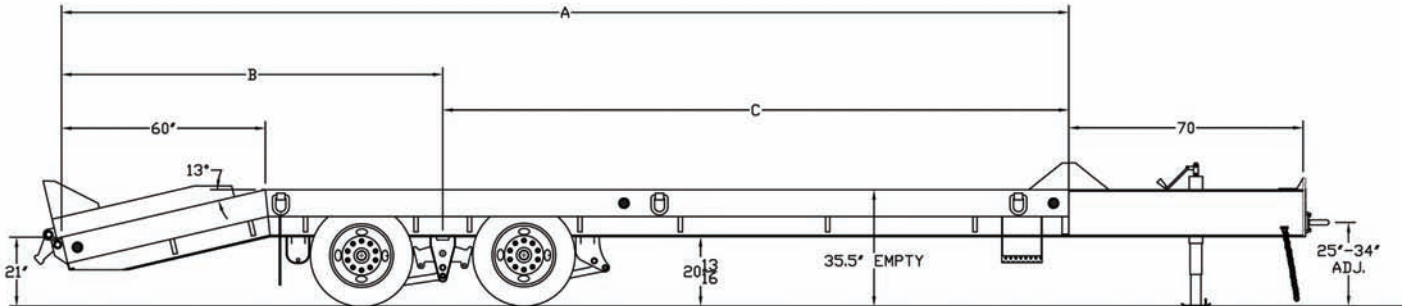
G.V.W.R.	48,000#	AXLES	Two 22,500# Dual Wheel Air Brake - Oil Bath
G.A.W.R. (Each Axle)	18,160#	SUSPENSION	44K Adjustable
COUPLER	60K 3" ID Pintle Eye	TIRE	215/75R 17.5 Load Range H
SAFETY CHAINS	1/2" Grd. 80 w/Safety Latch Hooks (2 each)	WHEEL	6.75 x 17.5, 10 Bolt Budd
JACK	12K TW Drop Leg Jack	FLOOR	2" Nominal Oak (S4S)
TONGUE	Integral w/Frame	LIGHTS	LED D.O.T. Stop, Tail, Turn & Clearance
TOP RAIL	None	ELEC. PLUG	7 Way Semi Style
FRAME	14", 26# I-Beam	FINISH (Prep)	Steel is Cleaned to Ensure a Professional Smooth Finish.
CROSSMEMBERS	6" Jr. I-Beam on 16" Centers	FINISH	Superior Quality Finish is Applied for a Highly Decorative and Protective Finish.
SIDE RAILS	8" Channel		

Standard Features

- 3 Position Pintle Adjustment
- Safety Chains Attchd w/Cold Rolled Eyelets
- Storage Area in Tongue
- Modular Sealed Wiring Harness w/Junction Box
- Bolt On Jack
- Safety Reflective Marker Tape
- 102" Wide
- Low Profile Bed
- 2 Side Bed Steps
- Oak Flooring
- 6 - 1" O.D. D-Rings
- Heavy Duty Oil Bath Axles w/12-1/4" x 7-1/2" Air Brakes, Including Automatic Slack Adjusters & Spring Brakes on Both Axles
- Anti-Skid Brake System on Front Axle
- Rubber Mounted Sealed LED Lighting
- 5' Dove Tail w/Double Hinged Spring Assist Ramps

Dimensions With Dovetail

Length	A	B	C
20' + 5'	300"	113"	187"
24' + 5'	348"	137"	211"



MODEL#	WEIGHT	DESCRIPTION
*4XPH-20+5	8,950#	102" x 20' + 5' Equipment Transport
*4XPH-24+5	10,150#	102" x 24' + 5' Equipment Transport

OPTIONS

Vertical Spare Mount	1" D-Ring (Each)
Spare Tire (215/75R 17.5 LR-H)	Single 2 Speed Drop Leg Jack (25K)
Lockable Lid Cover Tool Storage in Tongue	Dual 2 Speed Landing Gear Jacks (50K)
ABS on 2nd Axle	Wood Fill Dovetail & Ramps

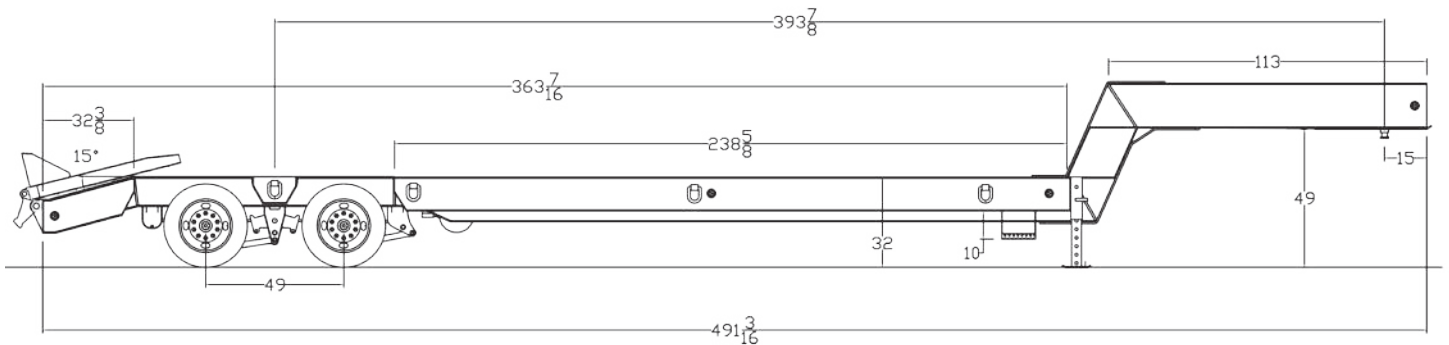
*** Trailer is subject to Federal Excise Tax**

5XGL Lowboy Heavy Equipment Transport

G.V.W.R.	59,800#	AXLES	Two 22,500# Dual Wheel Air Brake - Oil Bath
G.A.W.R. (Ea. Axle)	18,160#	SUSPENSION	44K Adjustable
COUPLER	SAE 2" Kingpin	TIRE	215/75R 17.5 Load Range H
JACK	Adjustable 4 Position Landing Legs	WHEEL	6.75 x 17.5, 10 Bolt Budd
NECK	16" 31# I-Beam	FLOOR	2" Nominal Oak (S4S)
FRAME	16" 31# I-Beam	LIGHTS	LED D.O.T. Stop, Tail, Turn & Clearance
CROSSMEMBERS	10" 12# I-Beam	ELEC. PLUG	7-Way Semi Style Socket
SIDE RAILS	12" Channel	FINISH (Prep)	Steel is Cleaned to Ensure a Professional Smooth Finish.
		FINISH	Superior Quality Finish is Applied for a Highly Decorative and Protective Finish.

Standard Features

- Storage Area in Neck
- Modular Sealed Wiring Harness w/Junction Box
- Safety Reflective Marker Tape
- 102" Wide
- Low Profile Bed
- 12" Channel Side Rails
- 2 Side Bed Steps
- Oak Flooring
- 8 - 1" O.D. D-Rings
- Rubber Mounted Sealed LED Lighting
- Heavy Duty Oil Bath w/12-1/4" x 7-1/2" Air Brakes, Including Automatic Slack Adjusters & Spring Brakes on Both Axles
- Anti-Skid Brake System on Front Axle
- 3' Dove Tail w/5' Double Hinged Spring Assist Ramps



MODEL#	WEIGHT	DESCRIPTION
*5XGL-20+3	11,600#	102" x 20' Equipment Transport

OPTIONS

Spare Tire (215/75R 17.5 LR-H)	Plate Over The Tires (Raises bed height by 2")
Full Width Neck	ABS on 2nd Axle
Dual Two Speed Landing Gear Jacks (50K)	1" D-Ring (Each)

*** Trailer is subject to Federal Excise Tax**

5XPH

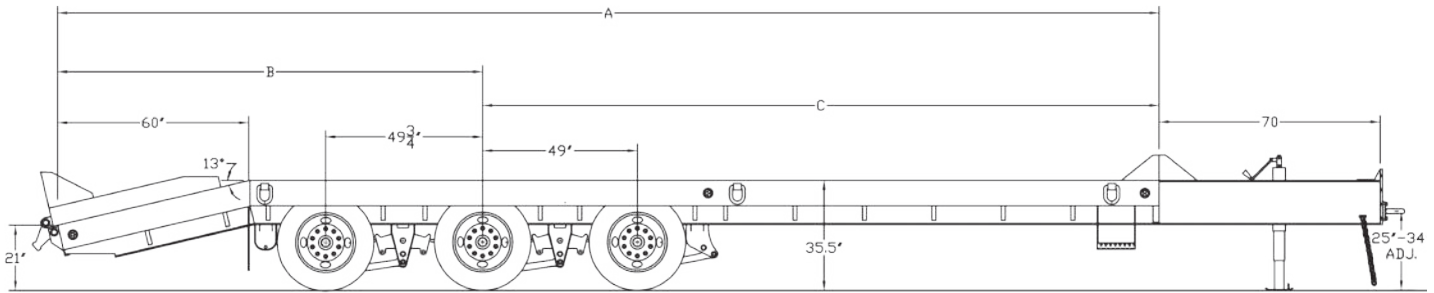
Pintle Heavy Equipment Transport

G.V.W.R.	58,000#	AXLES	Three 22,500# Dual Wheel Air Brake - Oil Bath
G.A.W.R. (Each Axle)	18,160#	SUSPENSION	66K Adjustable
COUPLER	60K 3" ID Pintle Eye	TIRE	215/75R 17.5 Load Range H
SAFETY CHAINS	5/8" Grd. 80 w/Safety Latch Hooks (2 each)	WHEEL	6.75 x 17.5, 10 Bolt Budd
JACK	12K TW Drop Leg Jack	FLOOR	2" Nominal Oak (S4S)
TONGUE	Integral w/Frame	LIGHTS	LED D.O.T. Stop, Tail, Turn & Clearance
TOP RAIL	None	ELEC. PLUG	7 Way Semi Style
FRAME	14", 26# I-Beam	FINISH (Prep)	Steel is Cleaned to Ensure a Professional Smooth Finish.
CROSSMEMBERS	6" Jr. I-Beam on 16" Centers	FINISH	Superior Quality Finish is Applied for a Highly Decorative and Protective Finish.
SIDE RAILS	8" Channel		

Standard Features

- 3 Position Pintle Adjustment
- Safety Chains Attchd w/Cold Rolled Eyelets
- Storage Area in Tongue
- Modular Sealed Wiring Harness w/Junction Box
- Safety Reflective Marker Tape
- 102" Wide
- Low Profile Bed
- Oak Flooring
- 6 - 1" O.D. D-Rings
- Anti-Skid Brake System on Front Axle
- Rubber Mounted Sealed LED Lighting
- Heavy Duty Oil Bath Axles w/12-1/4" x 7-1/2" Air Brakes, Including Automatic Slack Adjusters & Spring Brakes on three Axles
- 5' Dove Tail w/Double Hinged Spring Assist Ramps

Dimensions With Dovetail			
Length	A	B	C
24' + 5'	348"	134"	214"
28' + 5'	396"	158"	238"



MODEL#	WEIGHT	DESCRIPTION
*5XPH-24+5	10,350#	102" x 24' Triple Axle Equipment Transport
*5XPH-28+5	10,850#	102" x 28' Triple Axle Equipment Transport

OPTIONS

Spare Tire (215/75R 17.5 LR-H)	1" D-Ring (Each)
Dual Two Speed Landing Gear Jacks (50K)	Single 2 Speed Drop Leg Jack (25K)
Lockable Lid Over Tool Storage in Tongue	Wood Fill Dovetail & Ramps
Vertical Spare Mount on Tongue	

*** Trailer is subject to Federal Excise Tax**



Auto Transport



www.bigtexttrailers.com

TOUGH AS A TEXAS LONGHORN



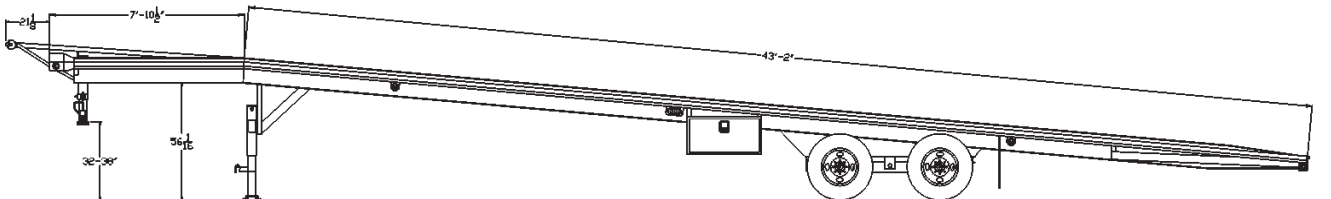
20AC

Tandem Dual Gooseneck Auto/Combo Transport

G.V.W.R.	20,000#	AXLES	Two 10,000# Dual Wheel Electric Brake - Oil Bath
G.A.W.R. (Ea. Axle)	10,000#	SUSPENSION	Multi-Leaf Slipper Spring w/Equalizers
COUPLER	25K Square Adjustable 2-5/16" Ball	TIRE	ST235/80 R-16 Load Range E
JACK	Two 12K Drop Leg Jacks (Bolted On)	WHEEL	16 x 6" Dual - 8 Bolt
FRAME	12" x 16# I-Beam	LIGHTS	D.O.T. LED Stop, Tail, Turn & Clearance
CROSSMEMBERS	3" Channel	ELEC. PLUG	7-Way RV Style Plug
RAMPS	2 Formed 1/8" Diamond Plate 8' Long	FINISH (Prep)	Steel is Cleaned to Ensure a Professional Smooth Finish.
FLOOR	2 Formed 1/8" Diamond Plate Runners 25" Wide	FINISH	Superior Quality Finish is Applied for a Highly Decorative and Protective Finish.

Standard Features

- | | | |
|--|---|---|
| <ul style="list-style-type: none"> • 4-Trailer Transport Dual Ball Towers • 9,000# Winch w/Remote Access at Center of Trailer • 102" Wide • 51' Load Bed • Stake Pockets & Rubrail • Modular Sealed Wiring Harness | <ul style="list-style-type: none"> • Electric Brakes on Both Axles • Complete Break-A-Way System w/Battery & Charger • Rubber Mounted Sealed LED Lighting • Safety Reflective Marker Tape • Spare Tire Mount • Radial Tires | <ul style="list-style-type: none"> • 12V Deep Cycle Battery • 2-18" x 18" x 36" Tool Boxes • Center Mounted Turn Signals • Center Mounted Ball Tower Track w/5' Ramp • 12 Auto Tie Down Ratchet Assemblies |
|--|---|---|

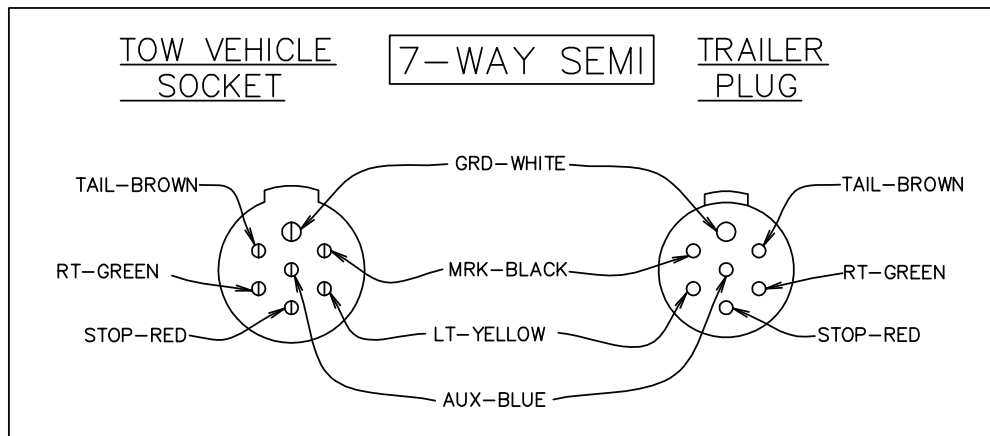
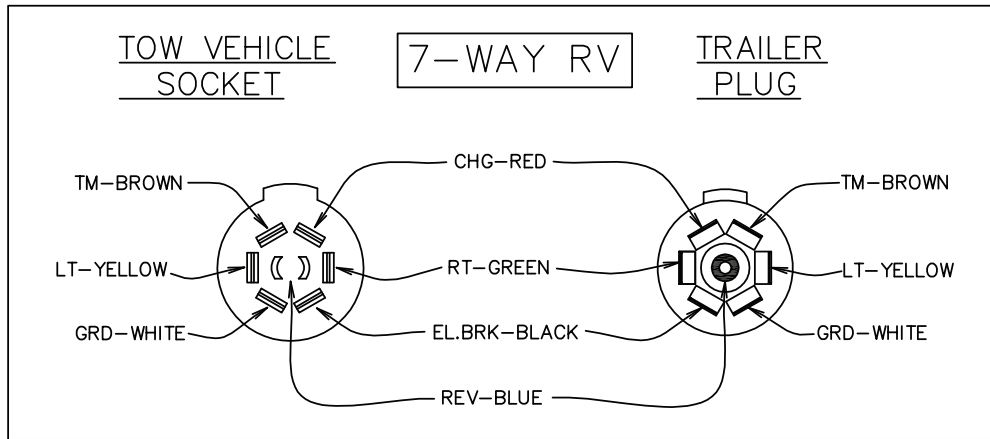
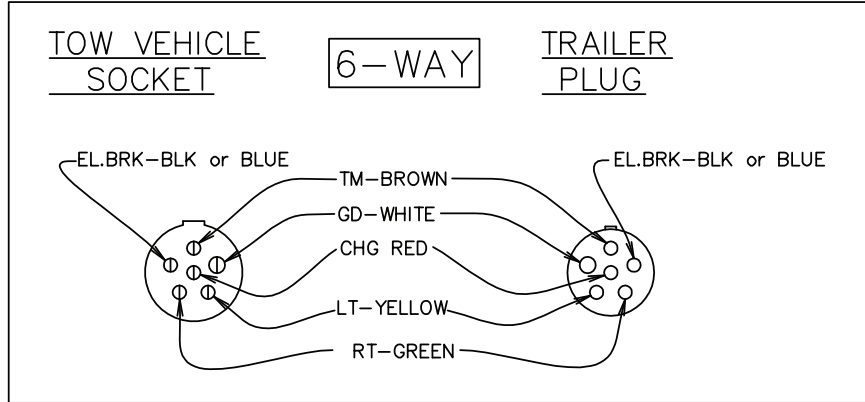
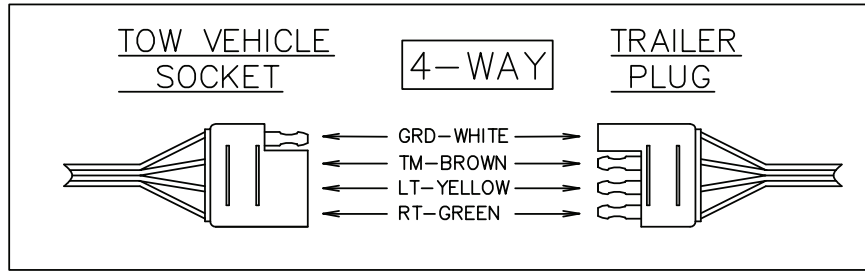


MODEL#	WEIGHT	DESCRIPTION
20AC-51	7,790#	102" x 51' Auto/Trailer Transport

OPTIONS

King Pin in Lieu of 2-5/16" Coupler	2 Watt Solar Charger
Spare Tire (ST235/80 R-16 LR-E)	5 Watt Solar Charger
Tire Upgrade (ST235/16 LR-G)	110V Charger
Spare Tire Upgrade (ST235/16 LR-G)	Delete Winch, Track Ball Towers
Wireless Remote	

Standard Big Tex Electrical Connector Wiring Diagrams



NOTE: Identify contacts by looking into the **open end** of the plug or socket.



www.bigtextrailers.com

950 I-30 East ■ Mount Pleasant, TX ■ 903-575-0300