

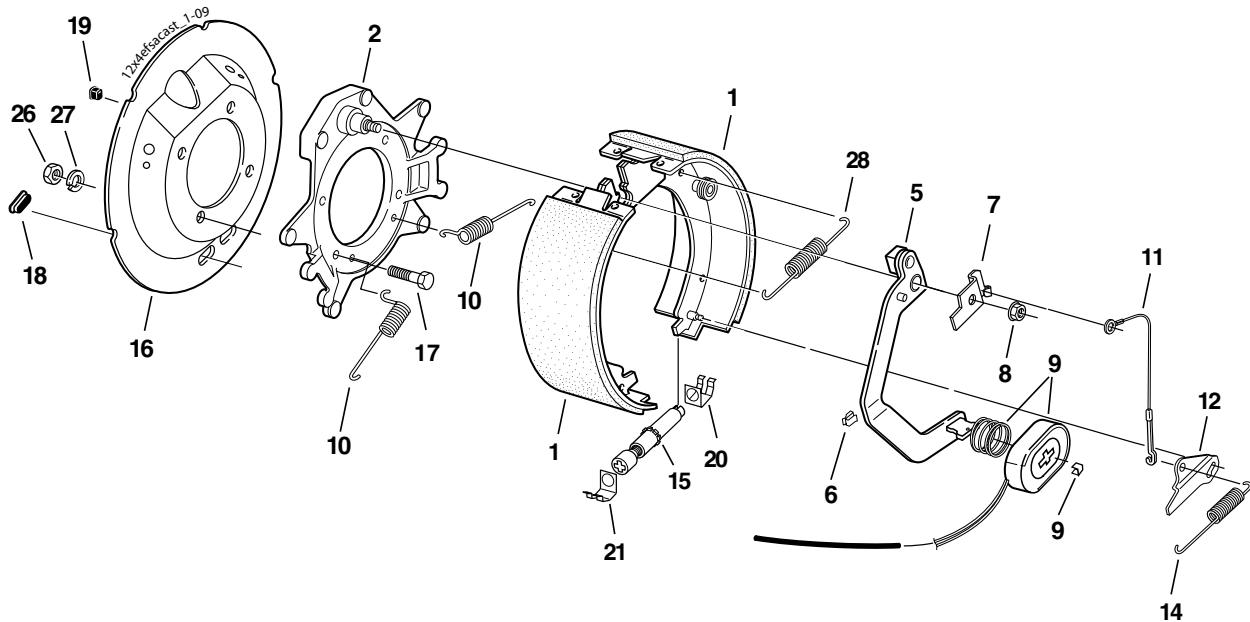
# 12¼" x 3⅜" 8K Electric Brake FSA



## Cast Backing Plate

CSA approved at 7000#/14.2 SLR

**8000 LBS. CAPACITY**



### Electric Brake

Item	Part No.	Qty/Brk	Description
0	K23-434-00	1	LH Complete Brake Assembly (shown)
0	K23-435-00	1	RH Complete Brake Assembly
1	K71-499-00	1	LH Shoe & Lining Kit Contains: 1 #040-350-01 LH Primary Shoe & Lining 1 #040-351-02 LH Secondary Shoe & Lining
1	K71-498-00	1	RH Shoe & Lining Kit Contains: 1 #040-351-01 RH Primary Shoe & Lining 1 #040-350-02 RH Secondary Shoe & Lining
2	036-119-02	1	Backing Plate Assembly
5	047-123-38	1	LH Actuating Arm Assembly
5	047-123-37	1	RH Actuating Arm Assembly
6	027-039-00	3	Wire Clip
7	071-455-01	1	LH Arm/Shoe Retainer
7	071-455-02	1	RH Arm/Shoe Retainer
8	006-092-01	1	Flange Nut
9	K71-375-00	1	Magnet Kit Contains: 1 #042-127-00 Magnet 1 #027-050-00 Magnet Retainer Clip 1 #046-117-00 Magnet Spring
10	046-136-00	2	Centering Spring
11	071-462-00	1	Adjuster Cable
12	071-464-00	1	LH Adjuster Lever
12	071-463-00	1	RH Adjuster Lever
14	046-137-00	1	Adjuster Spring
15	048-019-00	1	LH Adjuster Assembly (silver)
15	048-020-00	1	RH Adjuster Assembly (gold)
*16	036-115-20	1	Dust Shield
*17	007-097-00	4	Brake Mounting Bolt
*18	046-007-00	2	Adjuster Slot Plug
*19	046-016-00	1	Wire Grommet
20	046-133-00	1	Adjuster Clip (barrel end)
21	046-132-00	1	Adjuster Clip (thread end)
*26	006-129-00	4	Brake Mounting Nut
*27	005-058-00	4	Lock Washer
28	046-119-00	1	Return Spring

\* Not included with complete brake assembly. Item sold separately.

**Brakes manufactured after April 2000 use the cast backing plate**