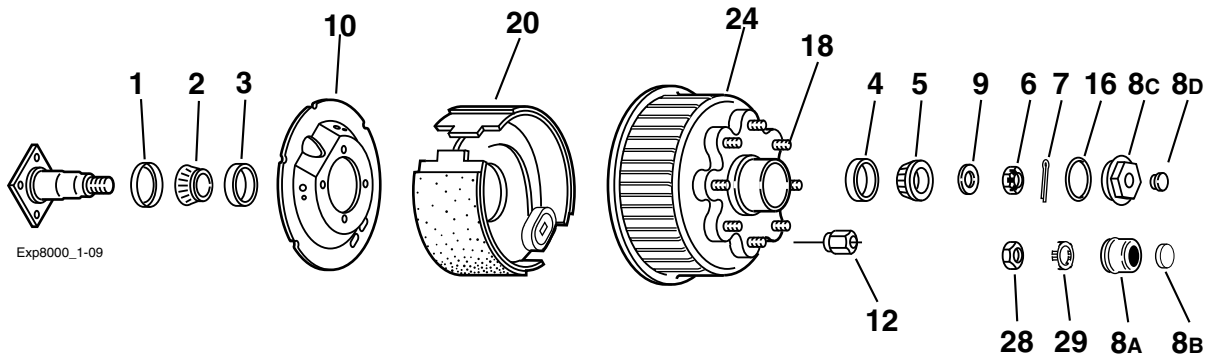


# 865 Hub Group



### Grease Lube Parts

Item	Part No.	Description
1	010-036-00	Seal
2	031-030-02	25580 Inner Bearing Cone
3	031-030-01	25520 Inner Bearing Cup
4	031-028-01	02420 Outer Bearing Cup
5	031-028-02	02475 Outer Bearing Cone
6	006-176-00	Spindle Nut
7	019-002-00	Cotter Pin (not used with E-Z Lube®)
ns	021-039-00	Grease Cap
8A	021-043-01	Grease Cap for E-Z Lube®
8B	085-001-00	E-Z Lube® Rubber Plug
9	005-057-00	Spindle Washer
28	006-191-00	Special Jam Nut for E-Z Lube® (after 2002)
29	006-190-00	Spindle Nut Retainer for E-Z Lube® (after 2002)

### Oil Lube Parts

Item	Part No.	Description
1	010-063-00	Seal (Unitized)
2	031-030-02	25580 Inner Bearing Cone
3	031-030-01	25520 Inner Bearing Cup
4	031-028-01	02420 Outer Bearing Cup
5	031-028-02	02475 Outer Bearing Cone
6	006-176-00	Spindle Nut
7	019-002-00	Cotter Pin
8C	021-035-00	Oil Cap
8D	046-032-00	Oil Cap Plug
9	005-057-00	Spindle Washer
ns	046-052-00	Oil Filler Plug (service part only)
16	010-045-00	'O' Ring for Oil Lube

### ABS Components

Part No.	Description
097-004-00	Sensor, Straight
024-204-00	Sensor Block, Screw-In
097-002-00	Sensor Retainer Clip
024-205-01	Sensor Tone Ring

Note: Spindle is not available for resale.

### 12¼" x 3⅜" Brakes

Item	Part No.	Description
10	036-115-20	Dust Shield
10	036-115-24	Dust Shield for brakes with park
20	K23-434-00/K23-435-00	LH/RH Electric Self-Adjust
ns	K23-432-00/K23-433-00	LH/RH Electric Manual Adjust
ns	K23-402-00/K23-403-00	LH/RH Hydraulic Self-Adjust Duo-Servo
ns	K23-171-00/K23-172-00	LH/RH Hyd. Self-Adj Duo-Servo w/Park
ns	K23-418-00/K23-419-00	LH/RH Hydraulic Uni-Servo
ns	K23-252-00/K23-253-00	LH/RH Hydraulic Uni-Servo w/Park
ns	K23-420-00/K23-421-00	LH/RH Self Adj. DS Corrosion Resistant
ns	K23-388-00/K23-387-00	LH/RH Hyd. Manual Adjust Duo-Servo

### Hubs

Item	Part No.	Description	Bolt Circle
<b>Hubs and Drums</b>			
24	008-285-08	Grease ⅝" Stud	8 on 6.50
24	008-285-15	Grease ⅝" Stud ABS	8 on 6.50
24	008-285-11	Grease ⅞" Stud	8 on 6.50
24	008-285-13	Grease ⅞" Stud ABS	8 on 6.50
24	008-285-10	Oil ⅝" Stud	8 on 6.50
24	008-285-14	Oil ⅝" Stud ABS	8 on 6.50
24	008-285-09	Oil ⅞" Stud	8 on 6.50
24	008-285-12	Oil ⅞" Stud ABS	8 on 6.50
<b>Plain Hubs</b>			
ns	008-287-07	Grease ⅝" Stud	8 on 6.50
ns	008-287-11	Grease ⅞" Stud	8 on 6.50
ns	008-287-14	Oil ⅞" Stud	8 on 6.50
ns	008-287-17	Oil ⅝" Stud	8 on 6.50

### Studs & Wheel Nuts

Item	Part No.	Description
12	006-053-00	⅞-18 60° Cone Nut
12	006-109-00	⅞-18 90° Cone Nut
18	007-132-00	⅞-18 Press-in Stud
18	007-232-00	⅞-18 Press-in Stud
ns	006-058-00	⅞-18 Flange Nut

ns - not shown