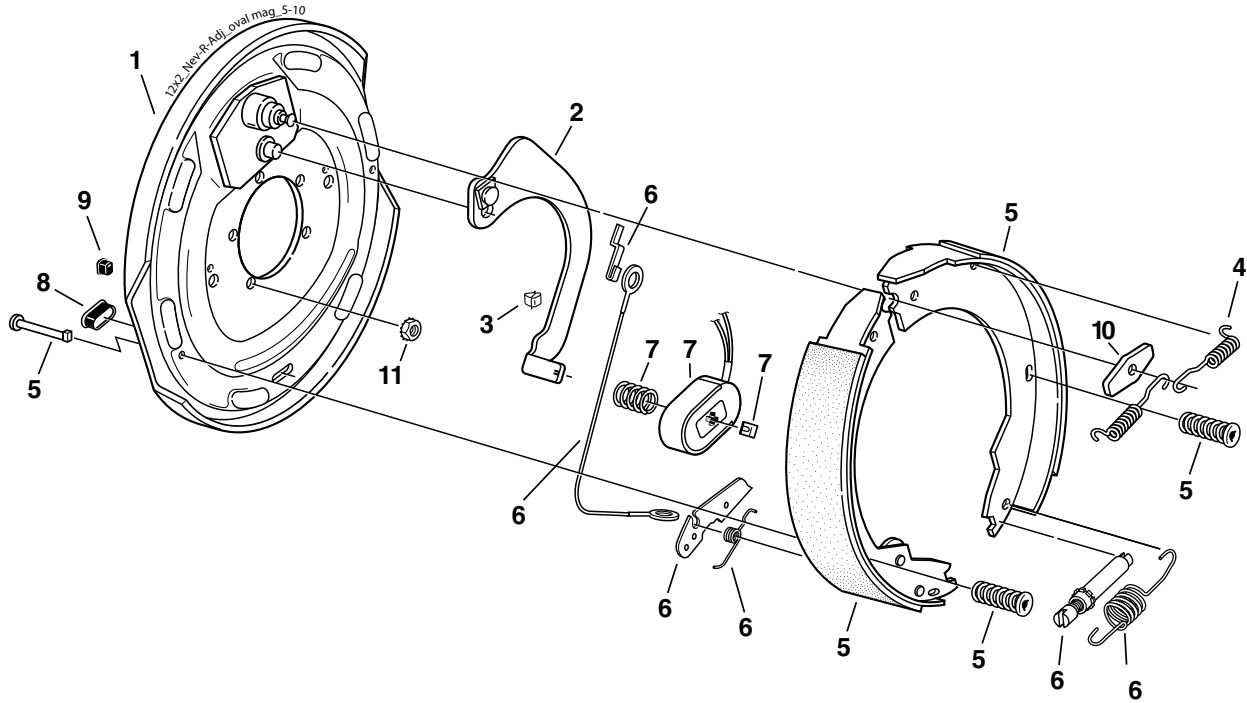


12" x 2" 7K Nev-R-Adjust® Electric Brake



CSA approved at 7000#/13.8 SLR

5500 - 7000 LBS. CAPACITY



Electric Brake 7000#

Item	Part No.	Qty/Brk	Description
0	K23-464-00	1	LH Complete Brake Assembly
0	K23-465-00	1	RH Complete Brake Assembly (shown)
1	036-089-10	1	Backing Plate Assembly
2	047-107-05	1	LH Actuating Lever Arm Assembly
2	047-108-05	1	RH Actuating Lever Arm Assembly
3	027-005-00	2	Wire Clip
4	046-009-00	2	Retractor Spring
5	K71-675-00	1	LH Shoe & Lining Kit Contains: 1 #040-215-00 Primary Shoe & Lining 1 #040-216-01 Secondary Shoe & Lining 2 #049-011-00 Shoe Hold Down Pin #2 2 #046-077-00 Shoe Hold Down Spring & Cup
5	K71-676-00	1	RH Shoe & Lining Kit Contains: 1 #040-215-00 Primary Shoe & Lining 1 #040-216-02 Secondary Shoe & Lining 2 #049-011-00 Shoe Hold Down Pin #2 2 #046-077-00 Shoe Hold Down Spring & Cup
6	K71-679-00	1	LH & RH Brake Adjuster Kit Contains: 2 #046-139-00 Adjusting Screw Spring 1 #046-140-00 LH Lever Spring 1 #046-141-00 RH Lever Spring 1 #048-022-00 LH Adjuster Assembly 1 #048-023-00 RH Adjuster Assembly 2 #071-528-00 Adjuster Cable 2 #071-529-00 Hook for Cable 1 #071-530-01 LH Adjusting Lever 1 #071-530-02 RH Adjusting Lever
7	K71-125-00	1	Magnet Kit Contains: 1 #042-143-00 Magnet (black wire) 1 #027-009-00 Magnet Clip 1 #046-080-00 Magnet Spring
8	046-007-00	2	Adjuster Slot Plug
9	046-016-00	1	Wire Grommet
10	005-067-00	1	Anchor Post Washer
*11	006-193-00	5	Nut Washer Assembly

* Not included with complete brake assembly. Item sold separately.