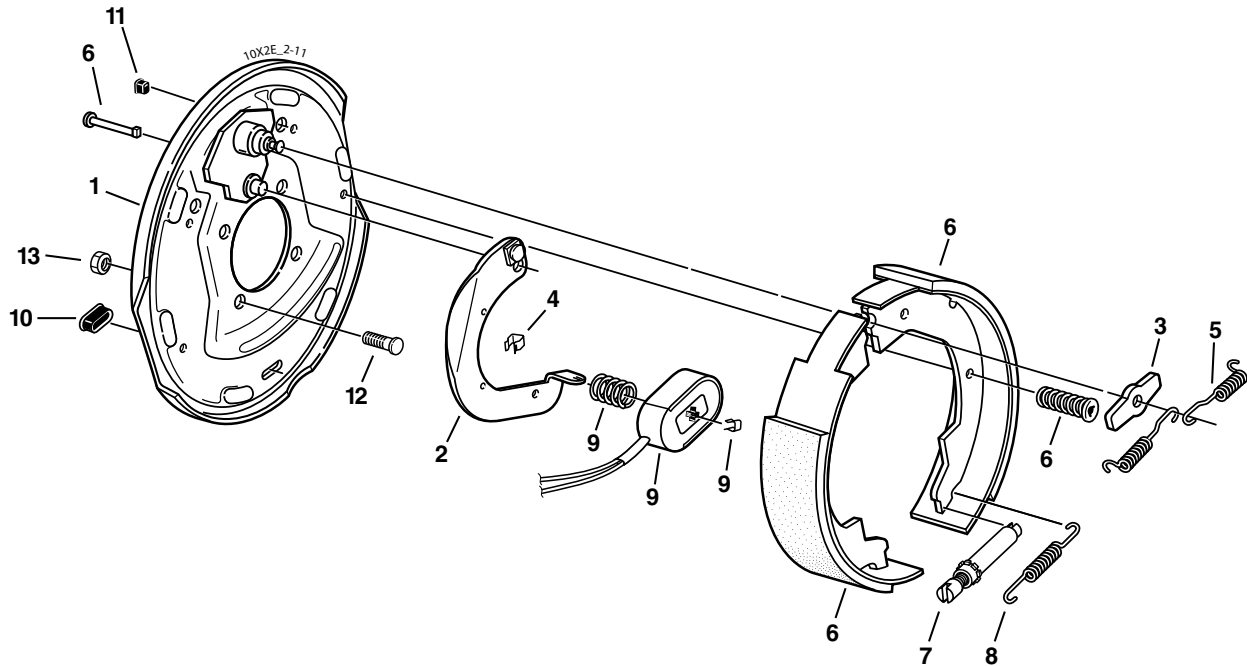


# 10" x 2¼" Electric Brake



CSA approved at 3500#/13.3 SLR

**2300 - 3500 LBS. CAPACITY**



## Electric Brake

Item	Part No.	Qty/Brk	Description
0	K23-026-00	1	LH Complete Brake Assembly (shown)
0	K23-027-00	1	RH Complete Brake Assembly
1	036-019-10	1	Backing Plate Assembly
2	047-019-05	1	LH Actuating Lever Arm
2	047-020-05	1	RH Actuating Lever Arm
3	005-067-00	1	Washer
4	027-005-00	2	Wire Clip
5	046-009-00	2	Retractor Spring
6	K71-047-00	1	Shoe & Lining Kit Contains: 1 #040-017-00 Primary Shoe & Lining 1 #040-021-00 Secondary Shoe & Lining 2 #049-002-00 Shoe Hold Down Pin #8 2 #046-077-00 Shoe Hold Down Spring & Cup
7	043-004-00	1	Adjuster Assembly
8	046-018-00	1	Adjusting Screw Spring
9	K71-104-00	1	Magnet Kit Contains: 1 #042-140-00 Magnet (green wire) 1 #027-009-00 Magnet Clip 1 #046-080-00 Magnet Spring
10	046-007-00	2	Adjuster Slot Plug
11	046-016-00	1	Wire Grommet
12	007-041-00	4	Brake Mounting Bolt - Press-in
*13	006-017-00	4	Brake Mounting Nut

\* Not included with complete brake assembly. Item sold separately.